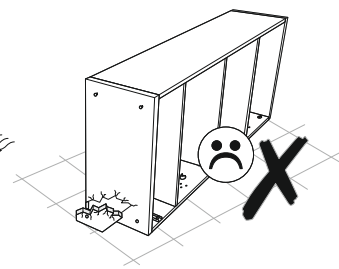
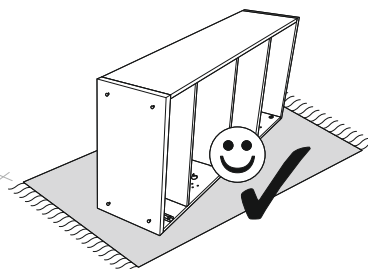
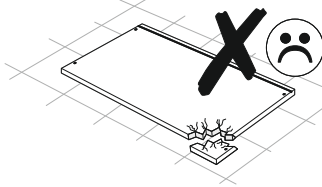
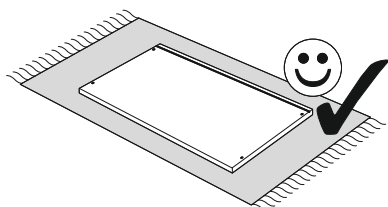
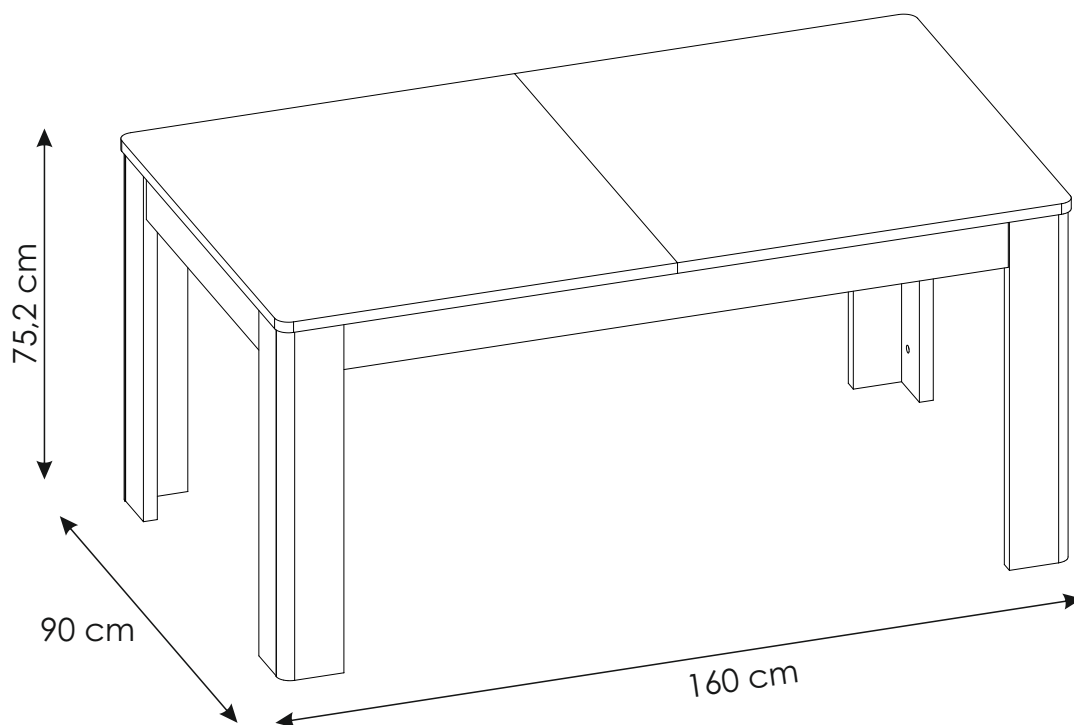
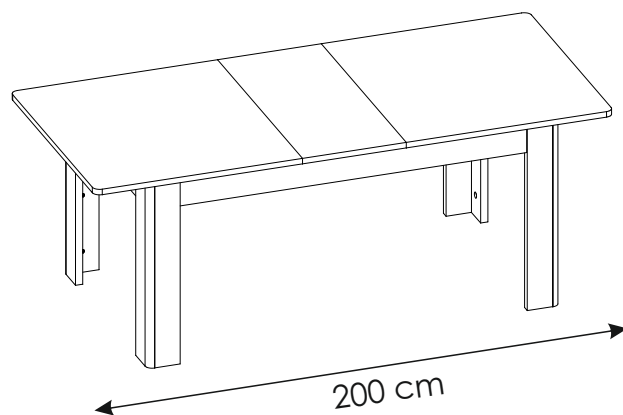
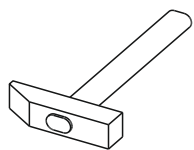
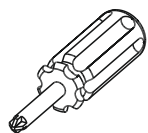
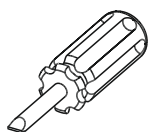
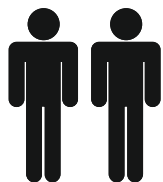
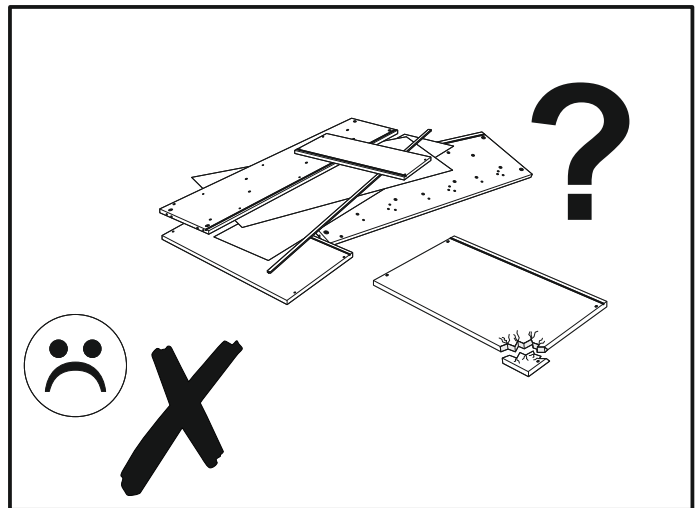
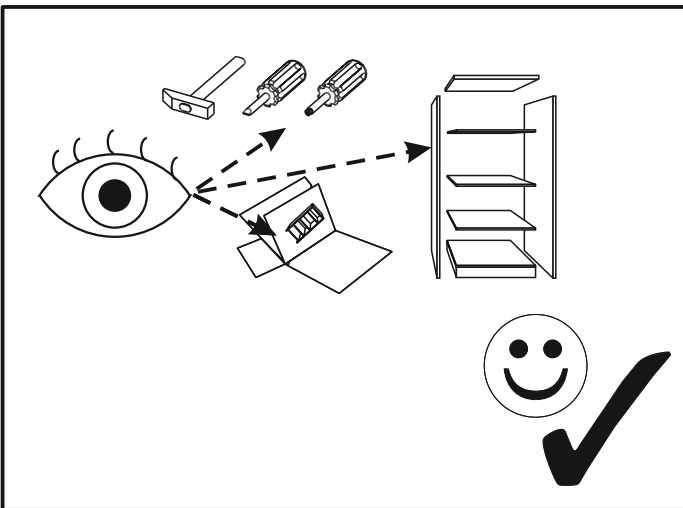
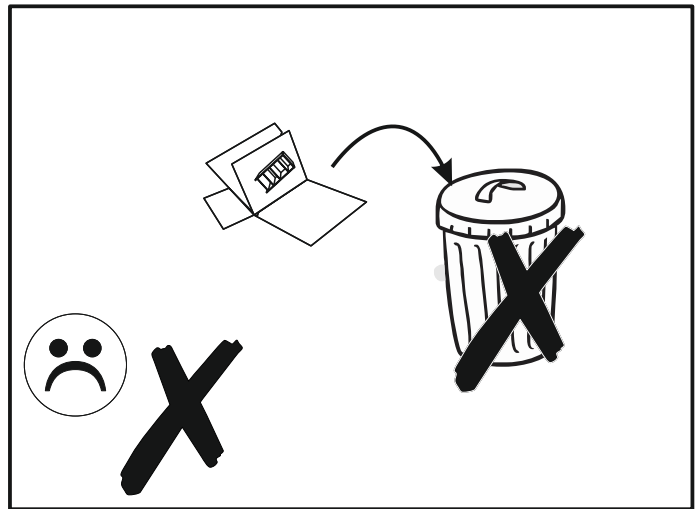
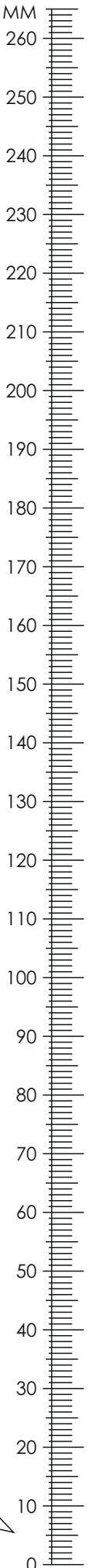


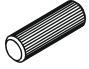
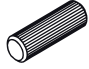


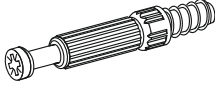
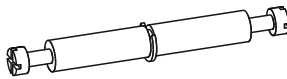


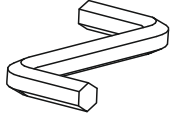
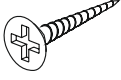
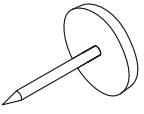

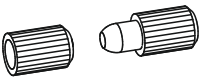
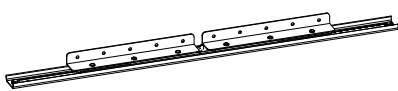
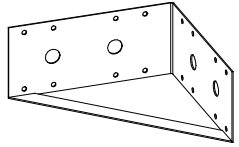
CNAT01

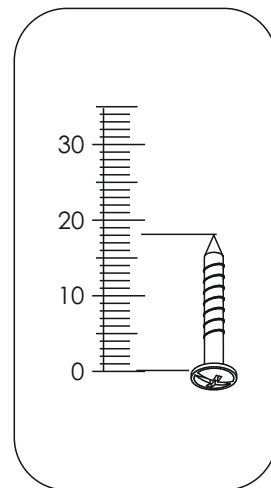




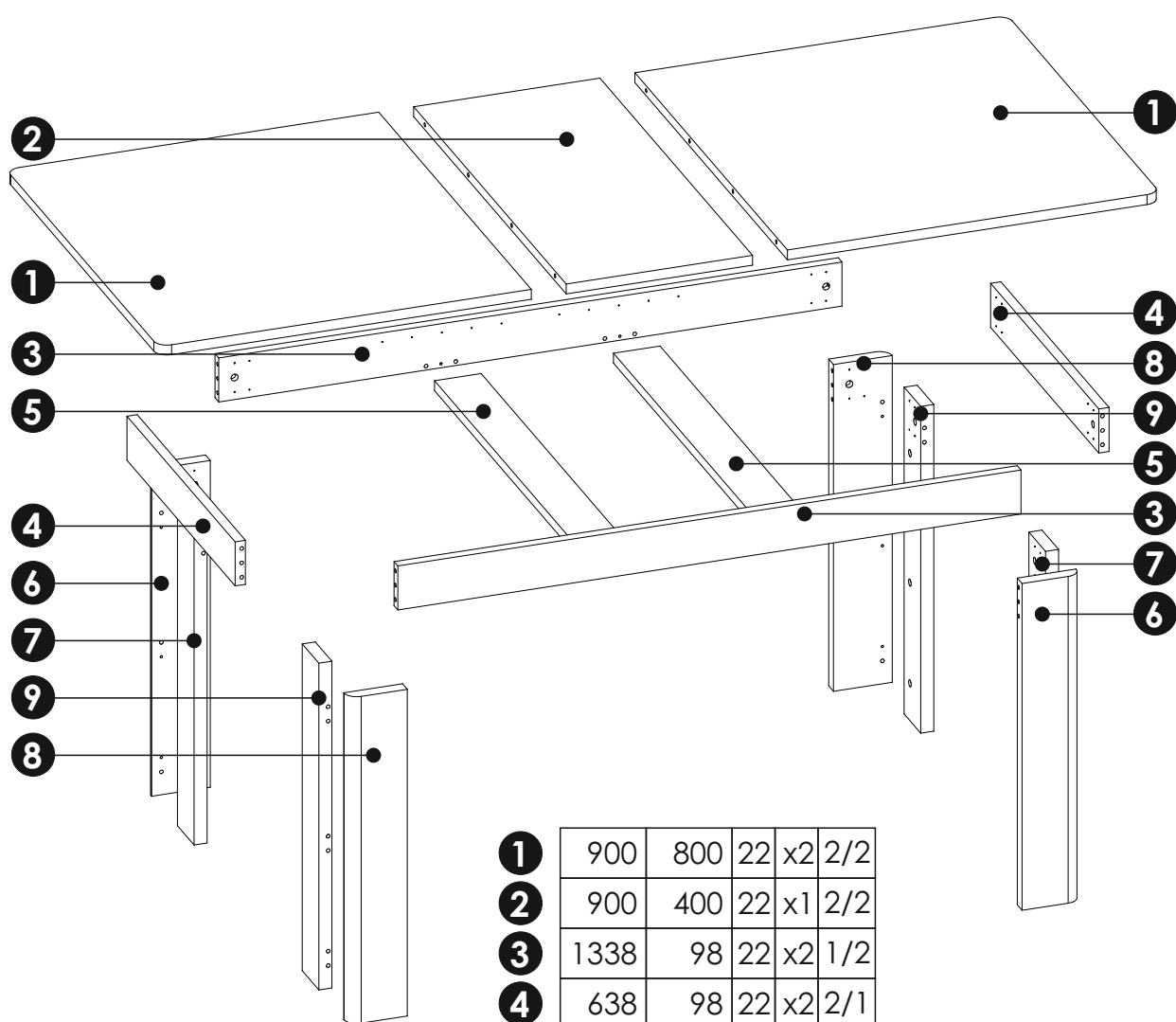
CNAT01



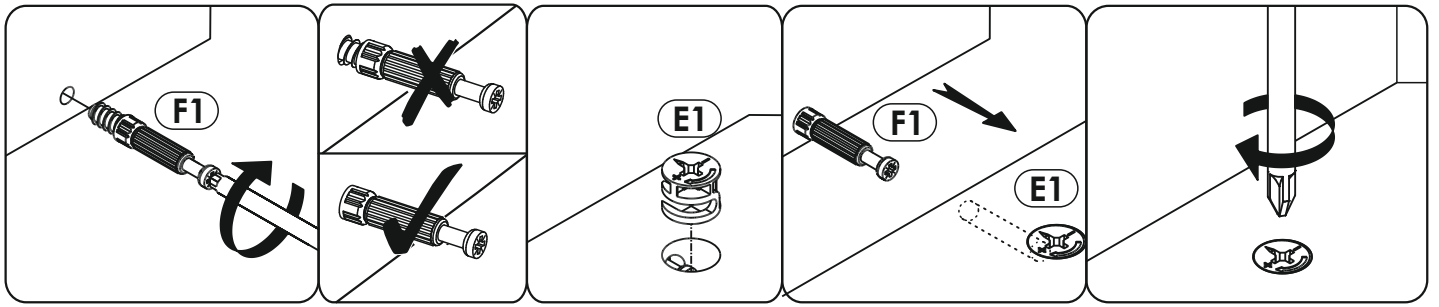
A1 8 x 35 mm x20 	A2 8 x 45 mm x16 	E0 x32 
E1 15 x 12,5 mm x32 	F1 6 x 34 mm x16 	F3 7 x 58 mm x8 
I2 4 x 16 mm x64 	I8 4 x 20 mm x20 	M x1 
N2 3,5 X 16 mm x20 	O2 x8 	O2A ø20 x4 
R8 x8 	T0 L-700 x2 	W x4 



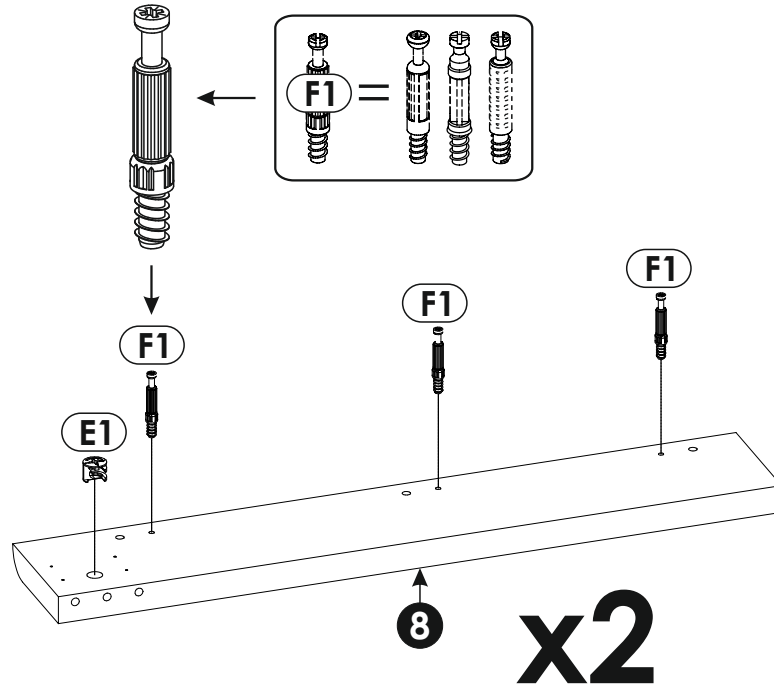
CNAT01



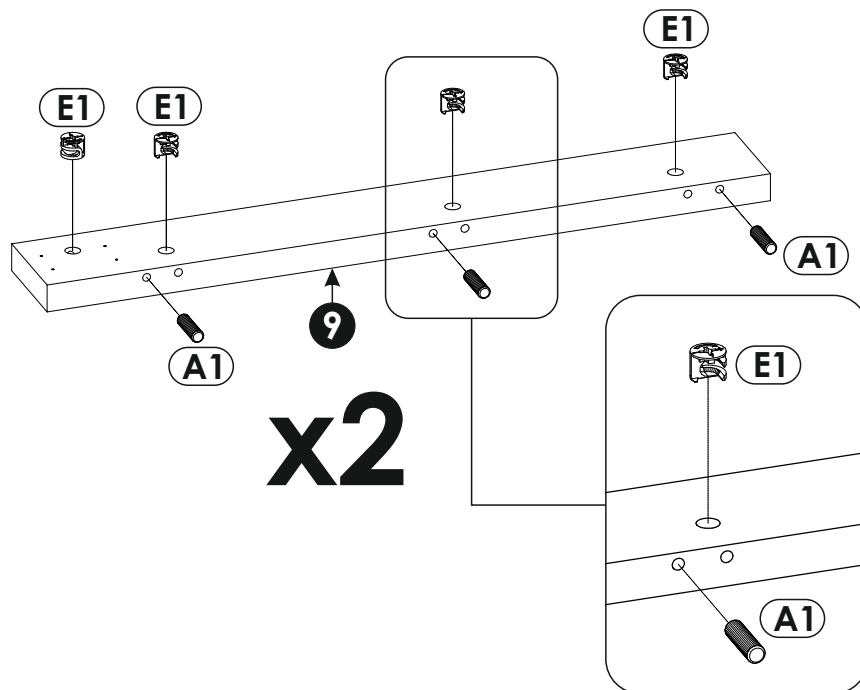
1	900	800	22	x2	2/2
2	900	400	22	x1	2/2
3	1338	98	22	x2	1/2
4	638	98	22	x2	2/1
5	834	100	22	x2	1/2
6	727	126	28	x2	1/2
7	727	98	28	x2	1/2
8	727	126	28	x2	1/2
9	727	98	28	x1	1/2



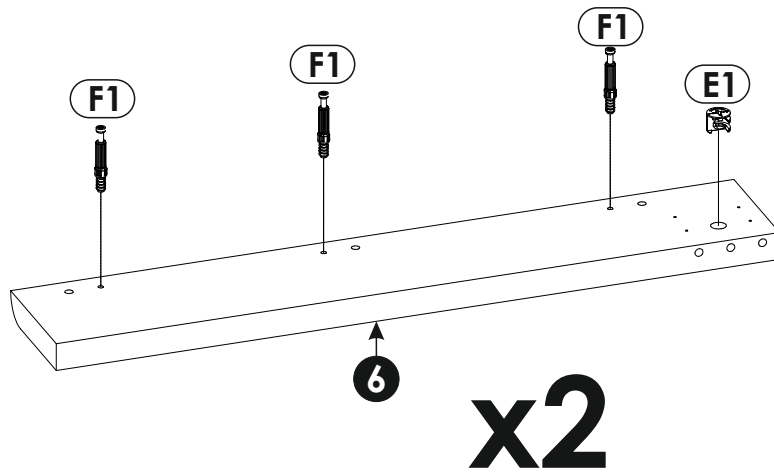
1▶



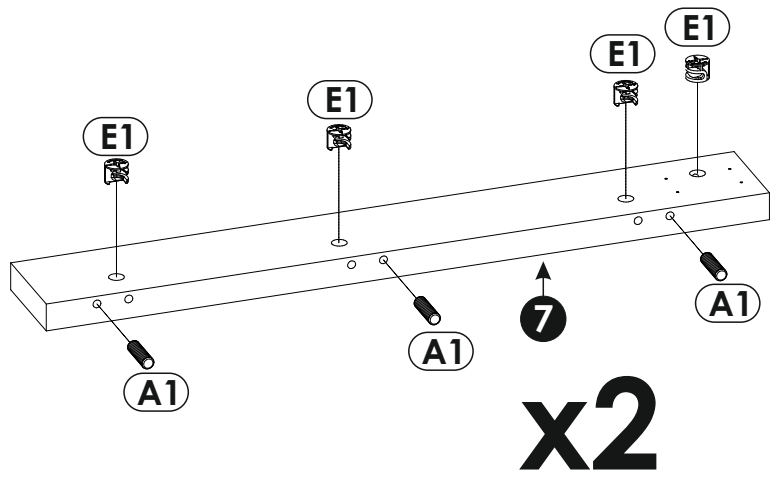
2▶



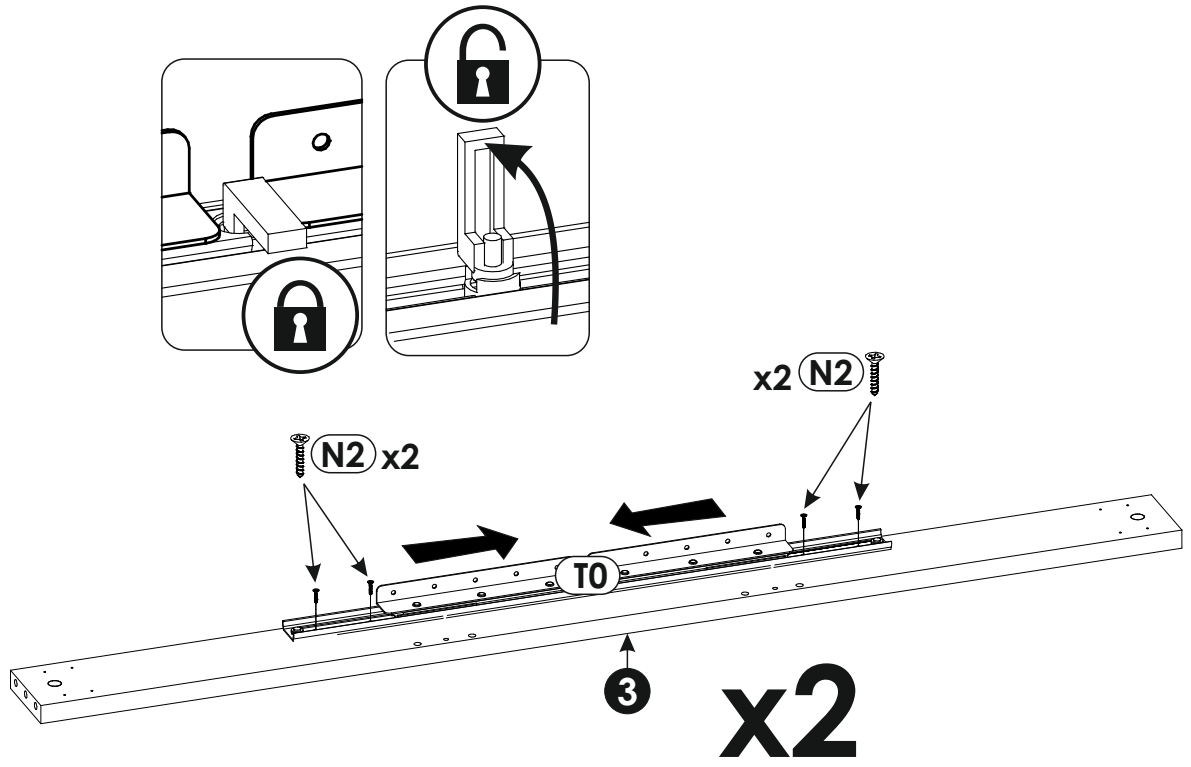
3▶



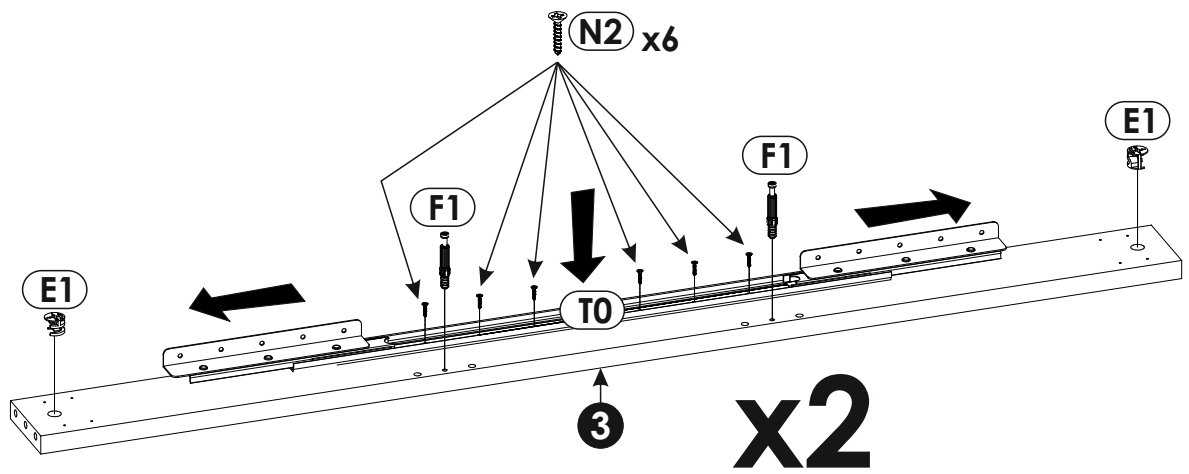
4▶



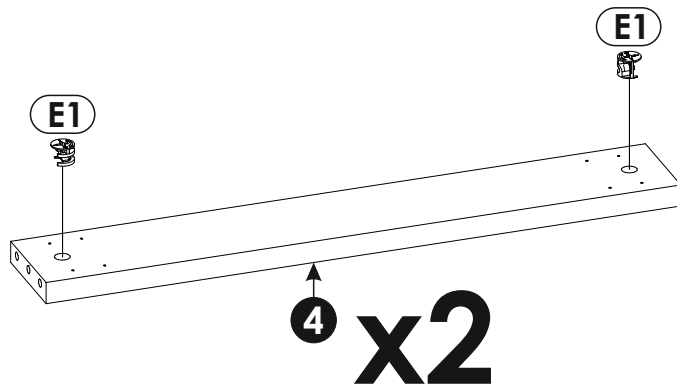
5 ▶



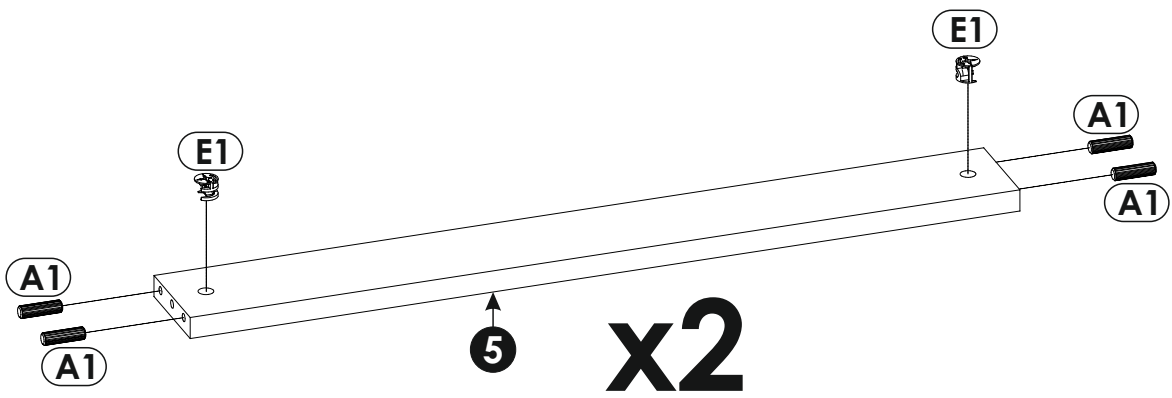
6 ▶



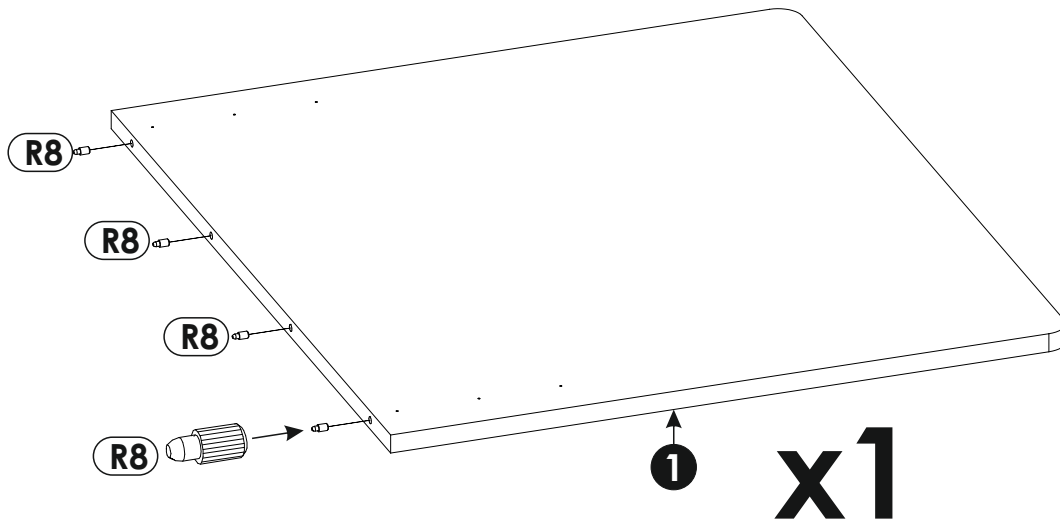
7 ▶



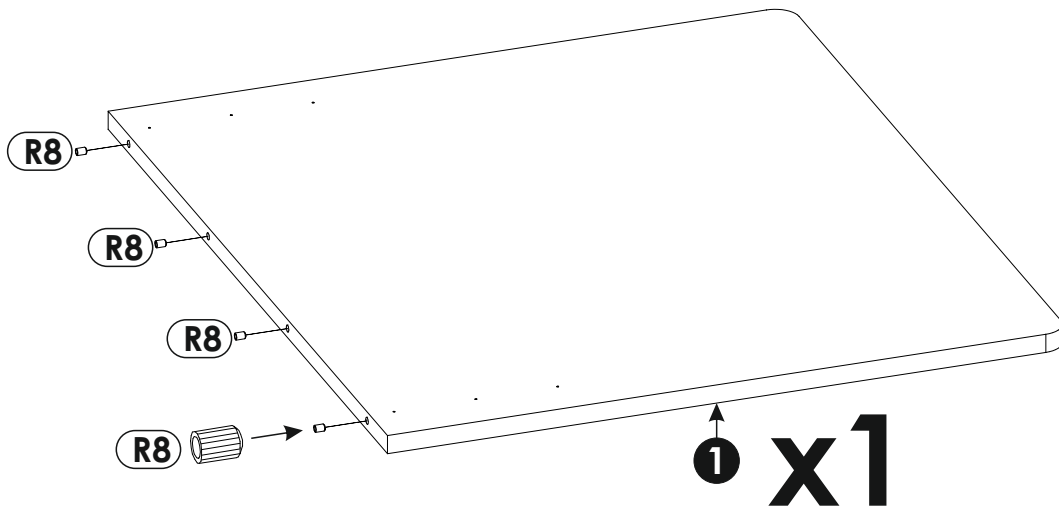
8 ▶



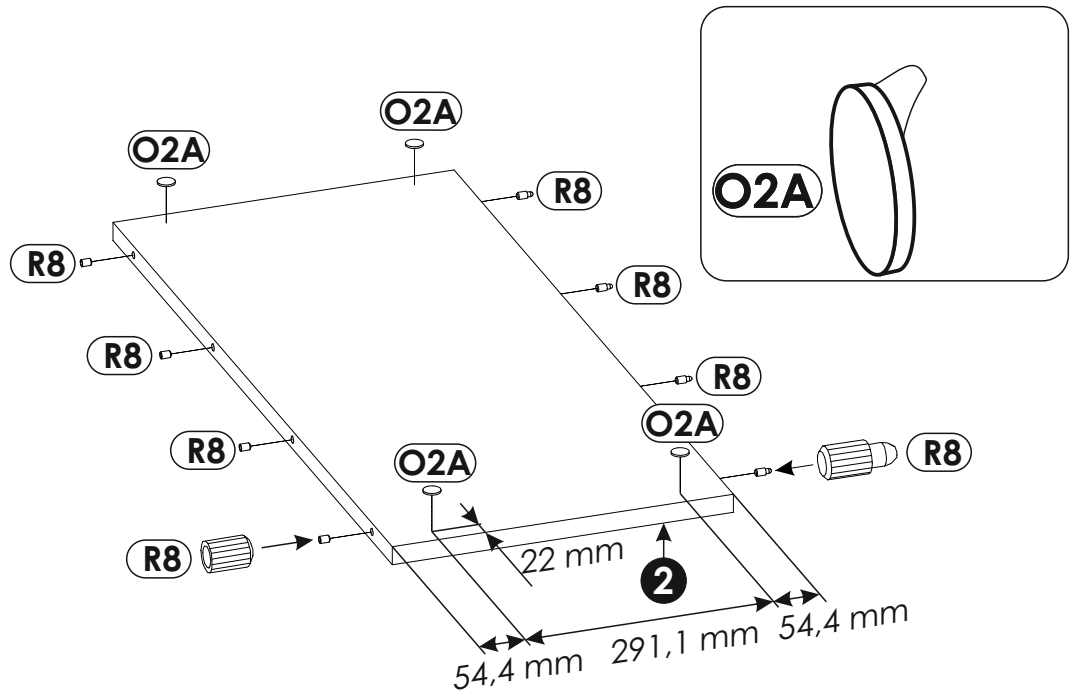
9 ▶



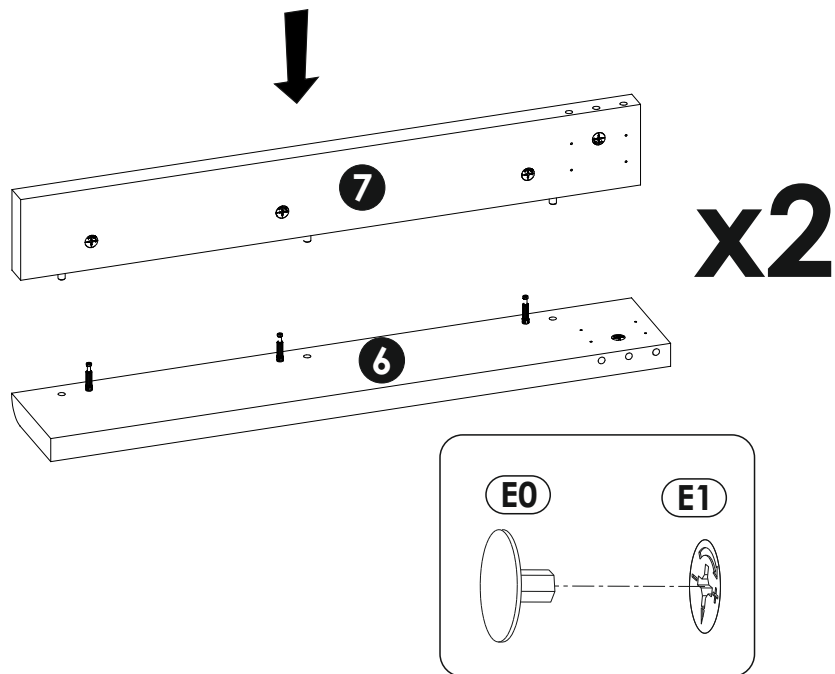
10 ▶



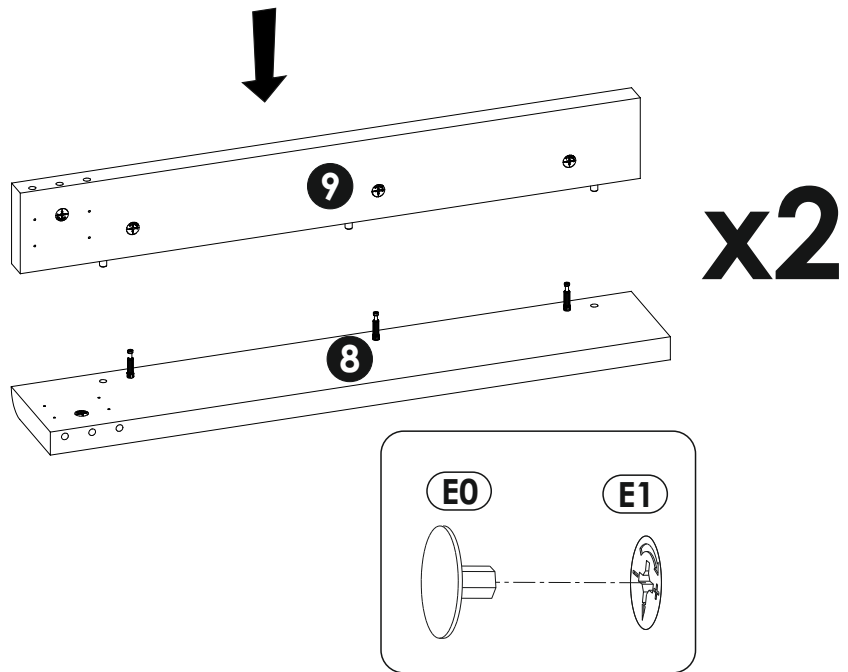
11 ▶



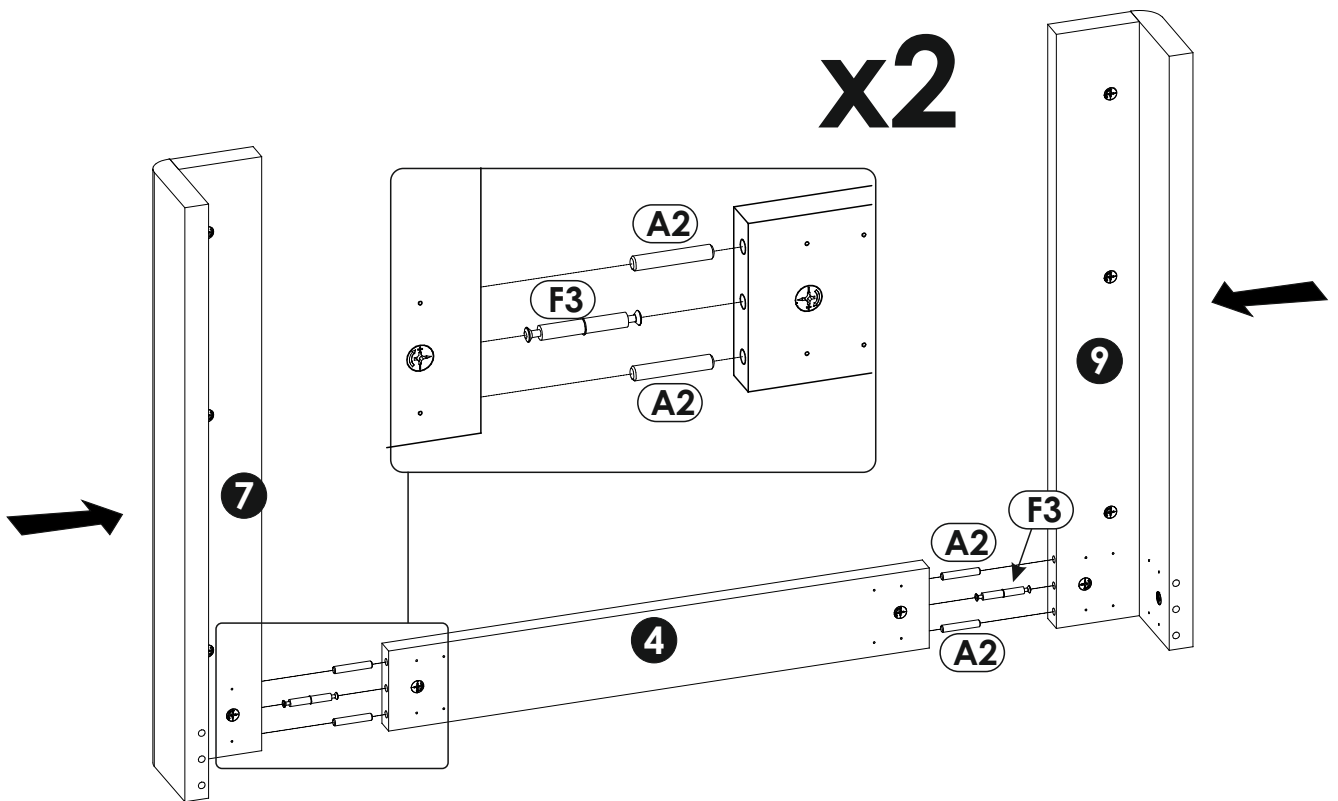
12 ▶



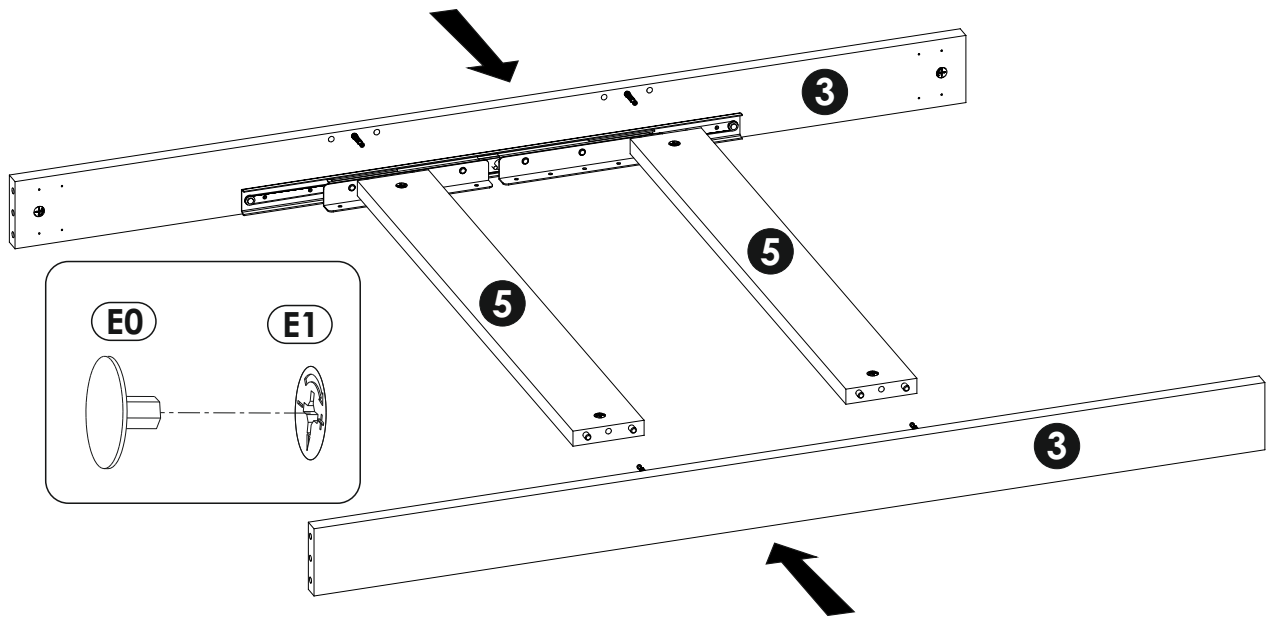
13▶



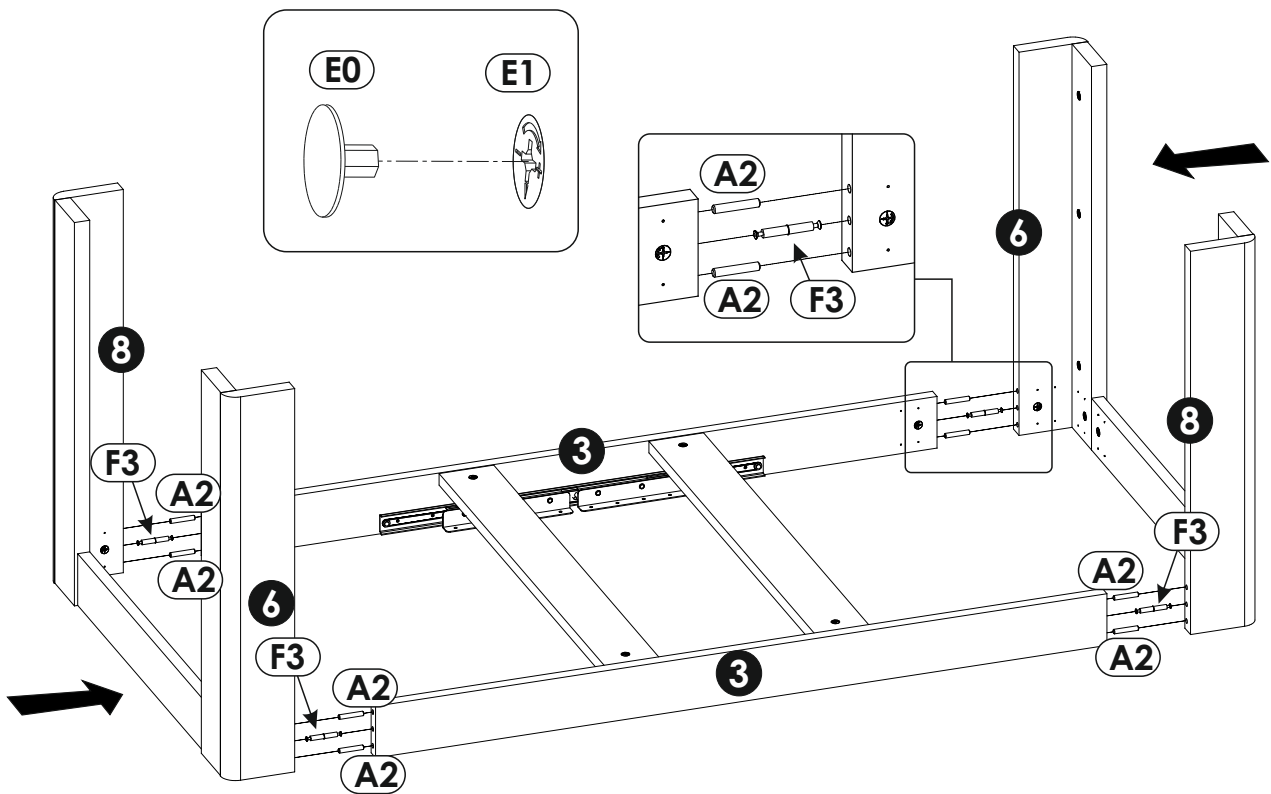
14▶



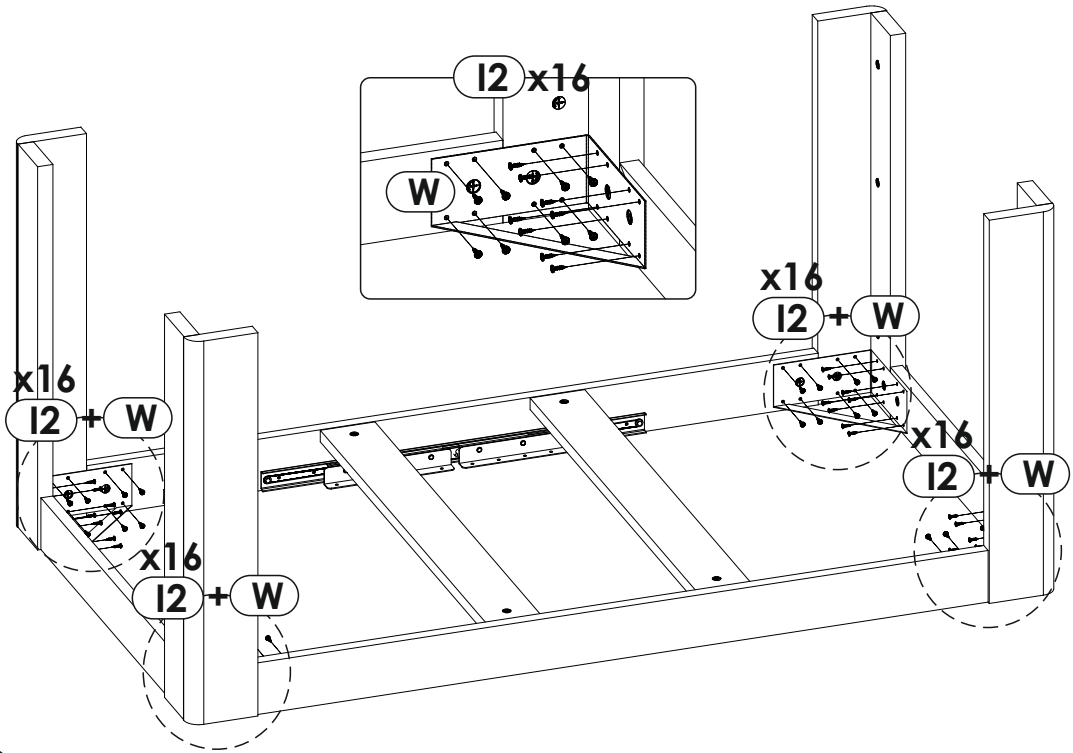
15▶



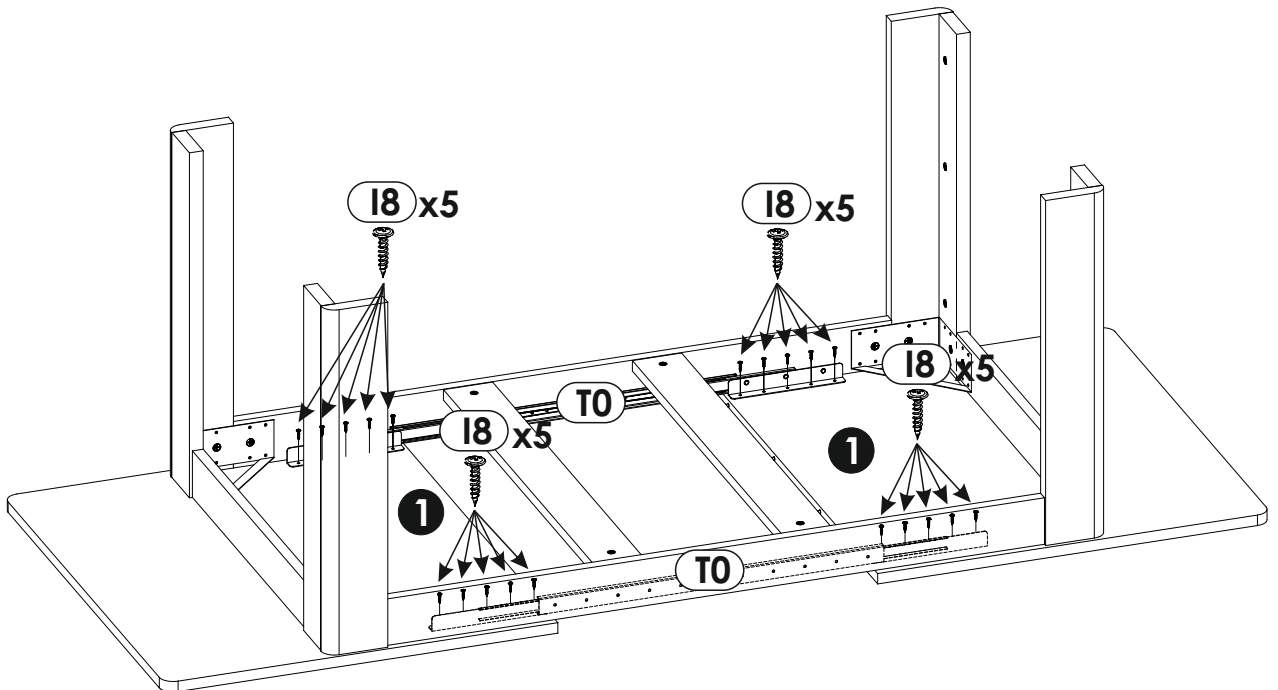
16▶



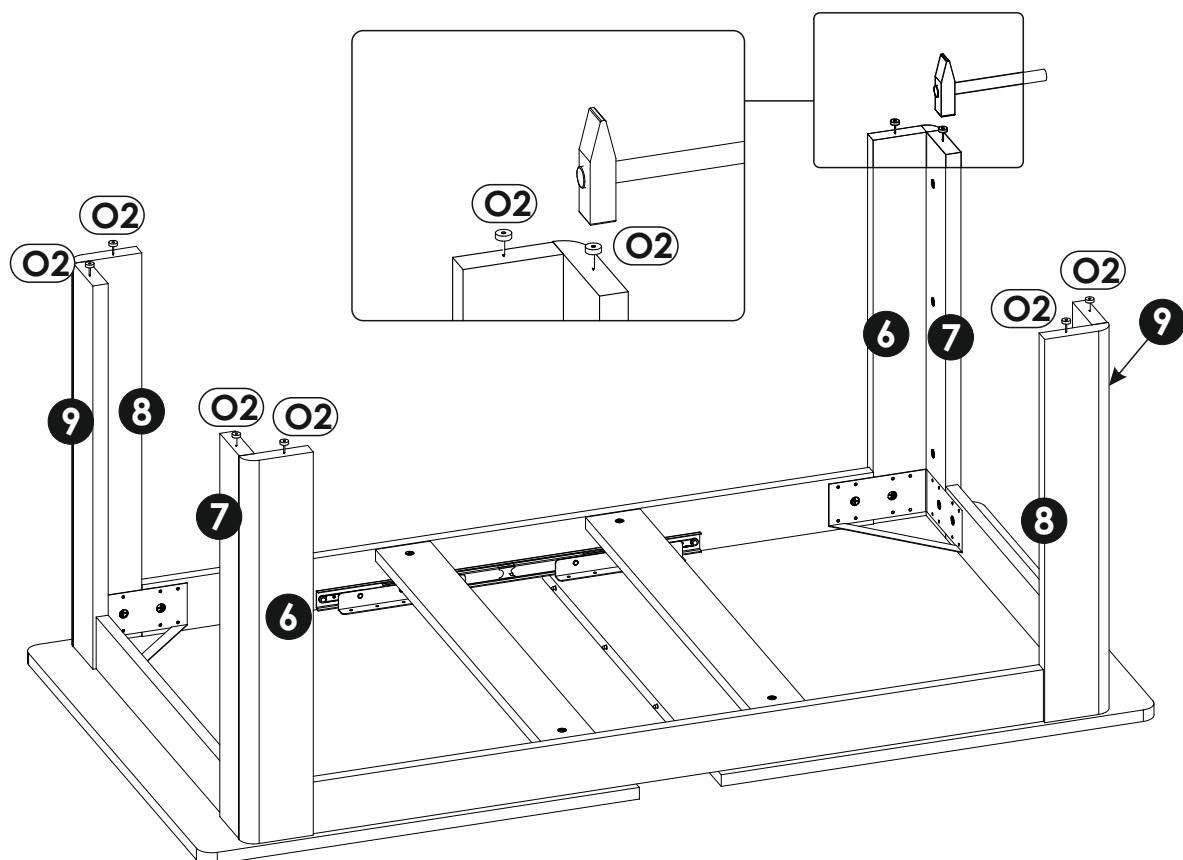
17▶



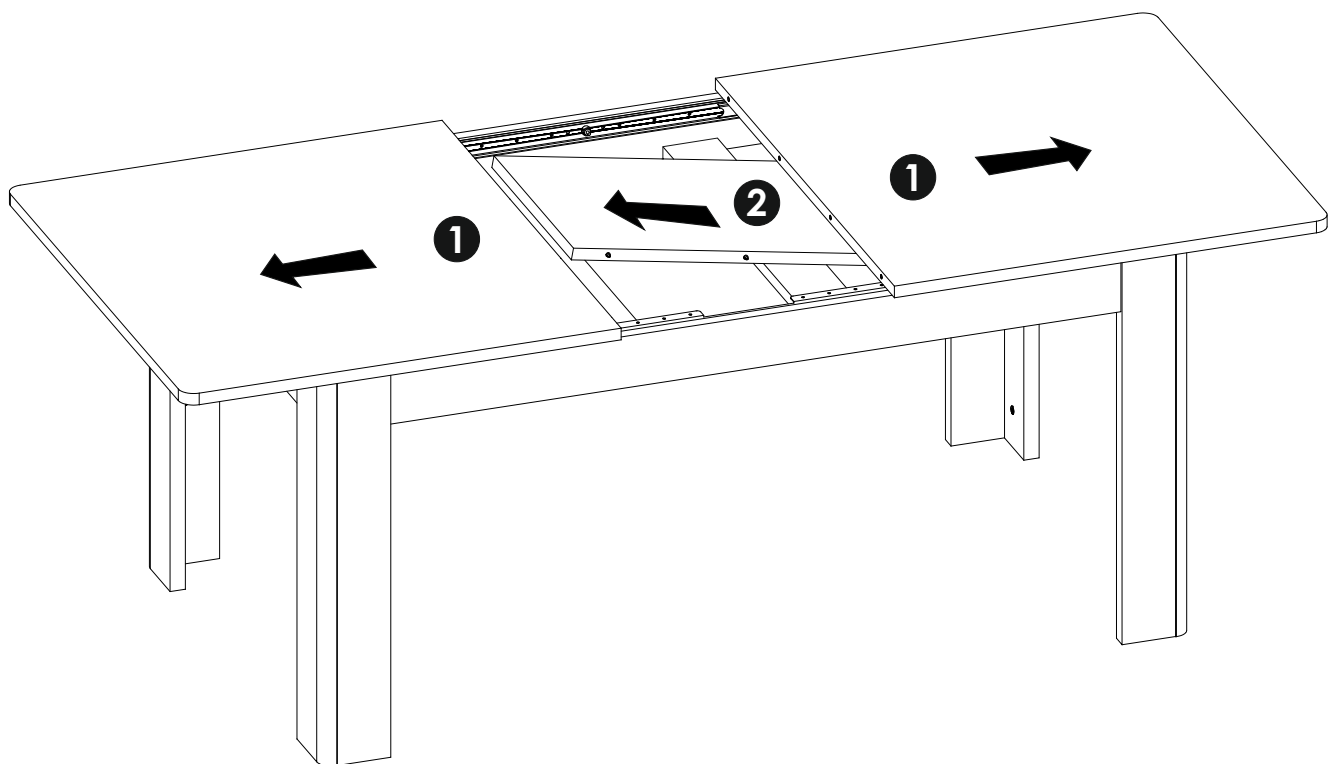
18▶



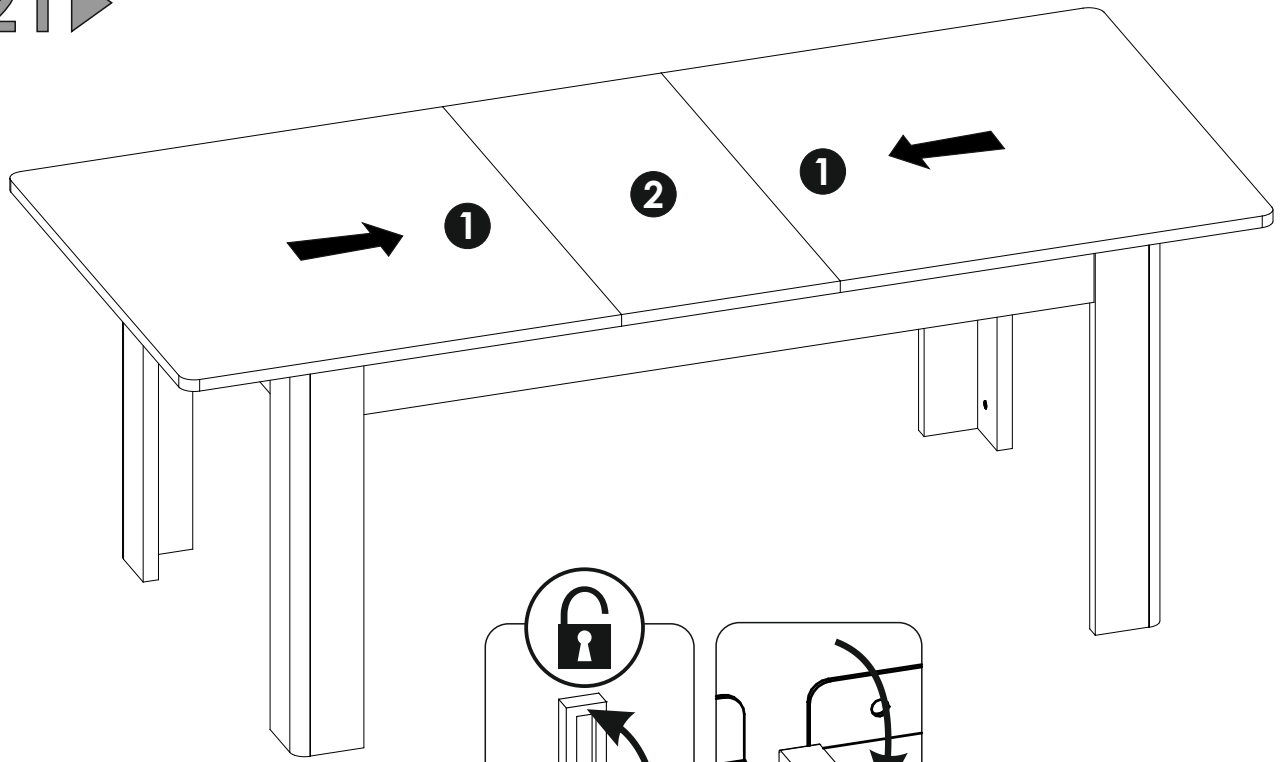
19▶



20▶



21 ▶



22 ▶

