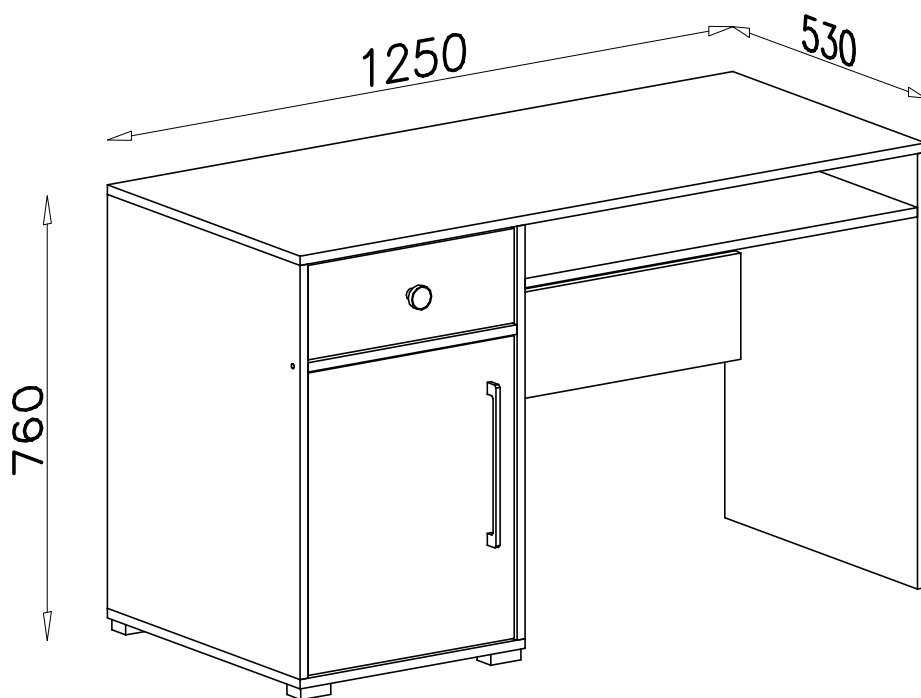
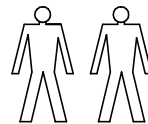
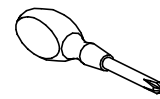
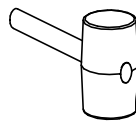
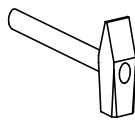
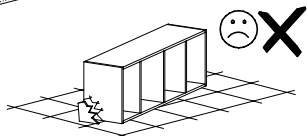
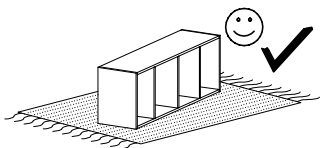
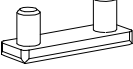




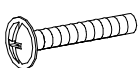
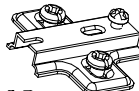
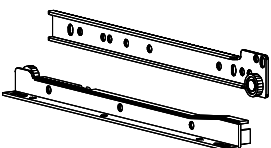
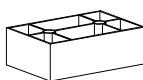

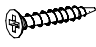
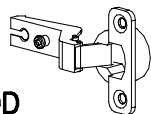
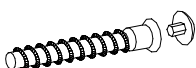

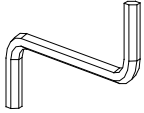
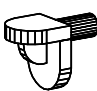

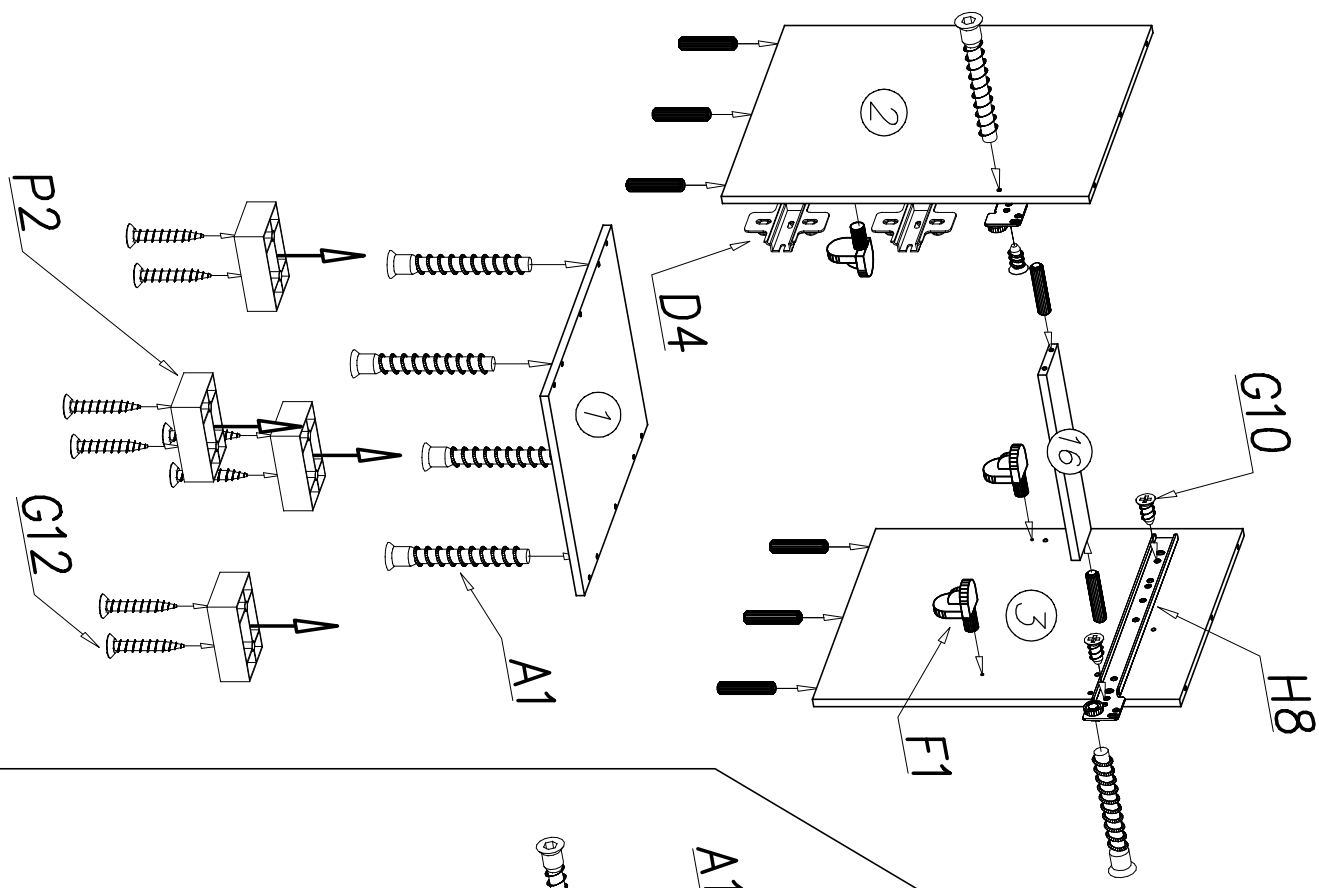


STEP ST 7

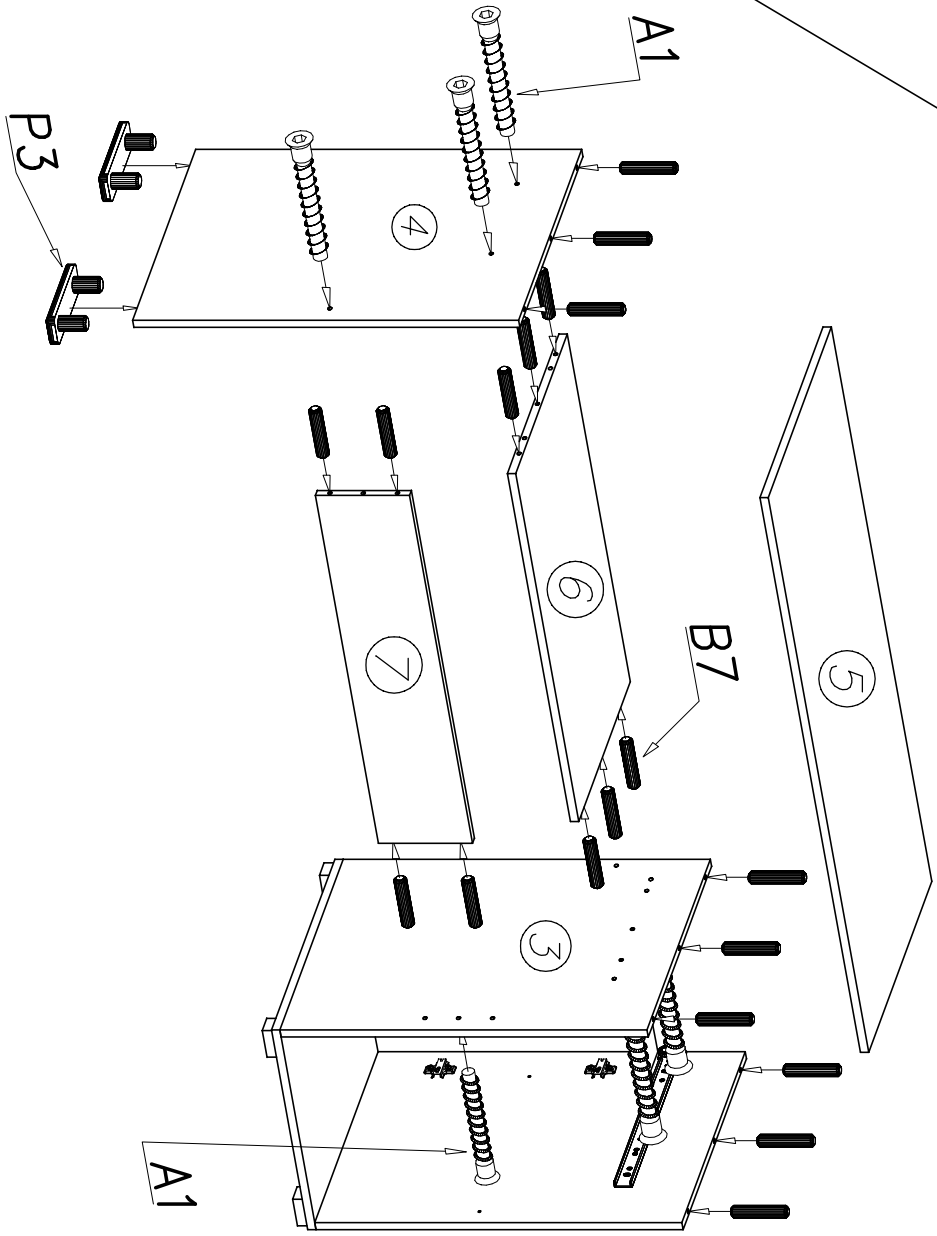
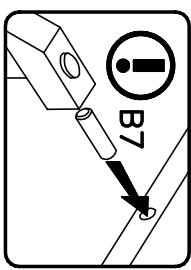
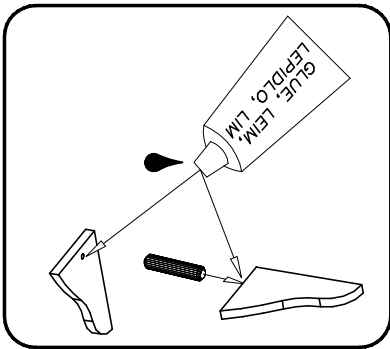


		P3  x2	E7  x1	E8  x1
G12  3,5x25 x8	W1  GLUE, LEIM, LEPIDLO, LIM x2	N13  M4x22 x3	D4  PZ350D x2	H8  400mm x1
P2  x4	G4  4x16 x10	G2  3x20 x20	C4  Z350D x2	
A1  ø7x50 x12	B7  ø8x30 x35	W2  x1	F1  x4	G10  6x13 x4

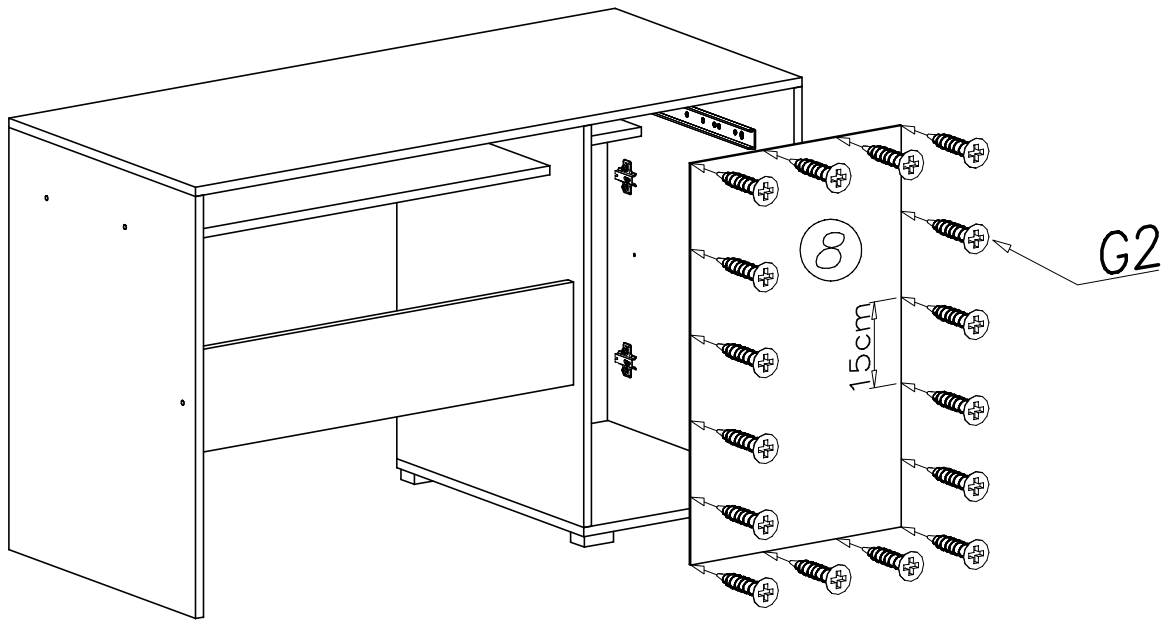
I



II



III



IV

