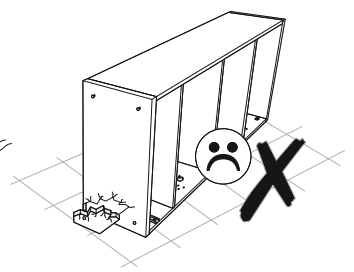
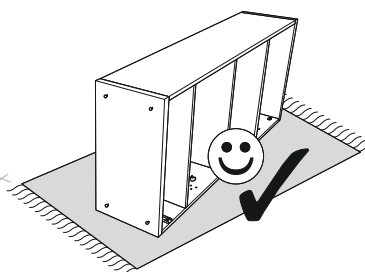
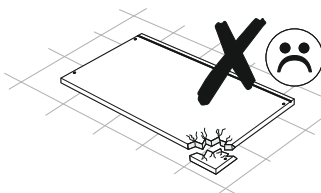
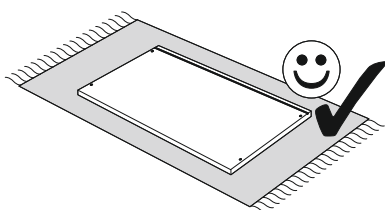
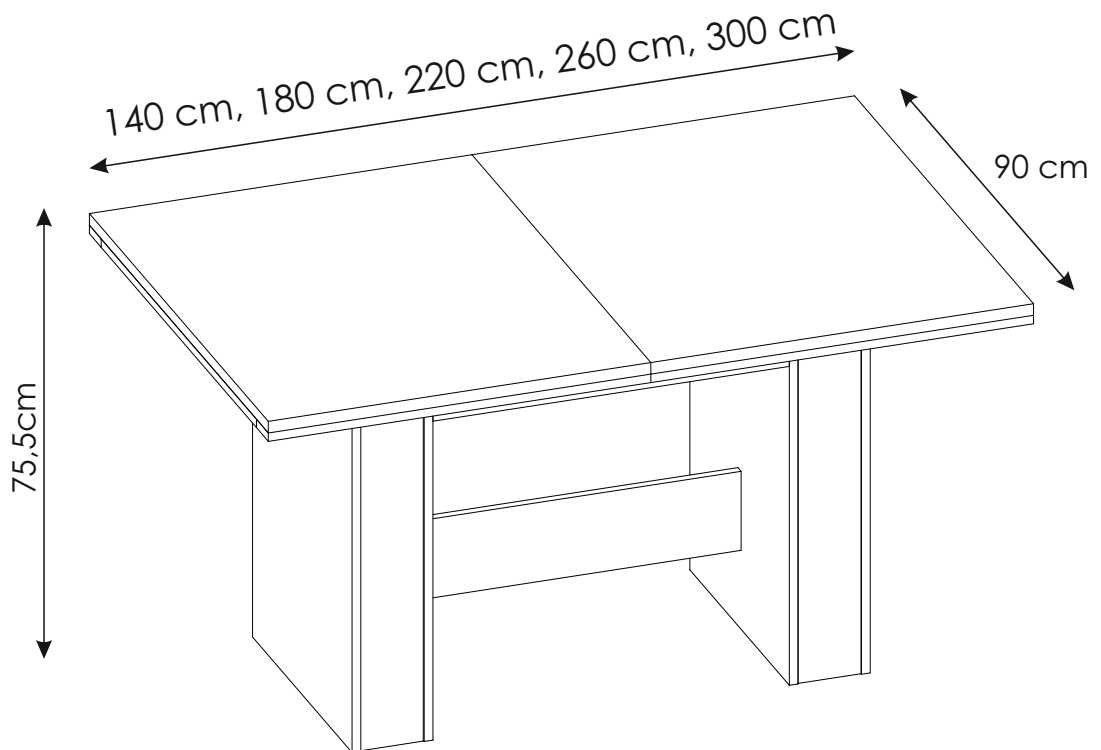
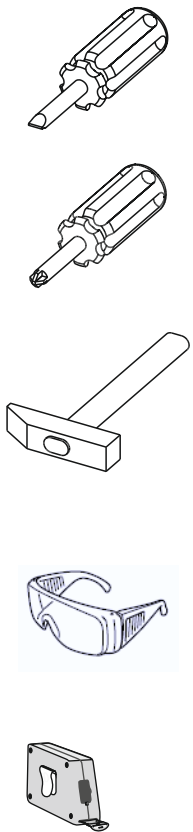
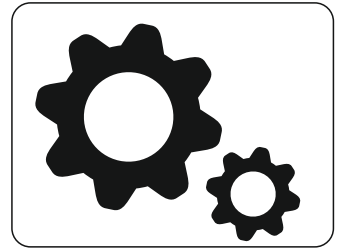
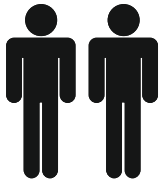
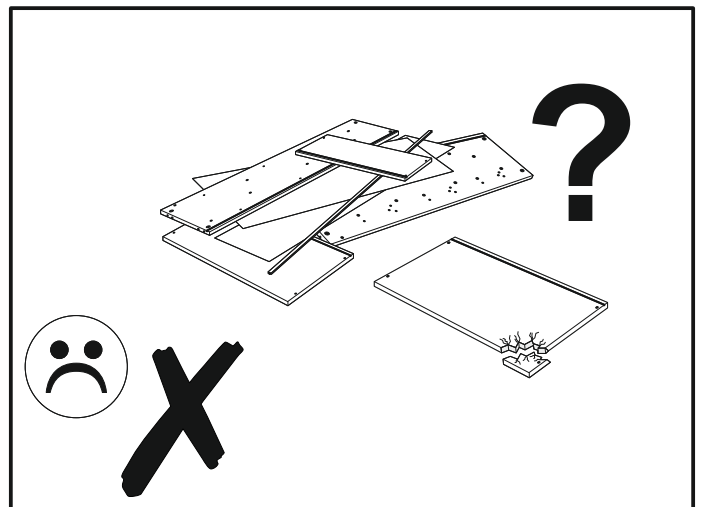
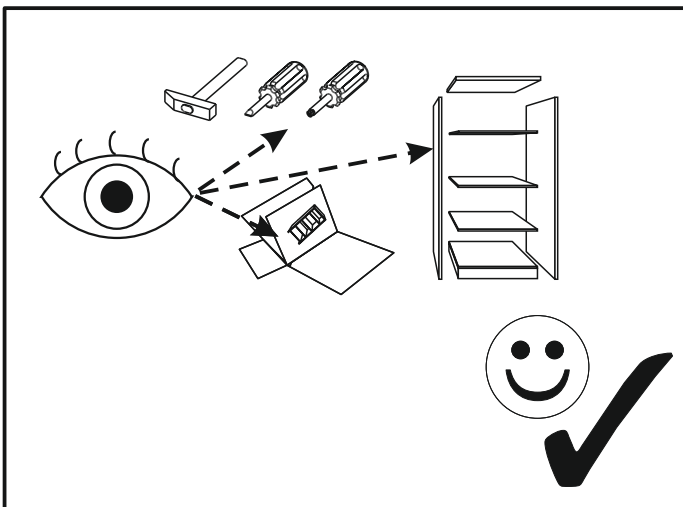
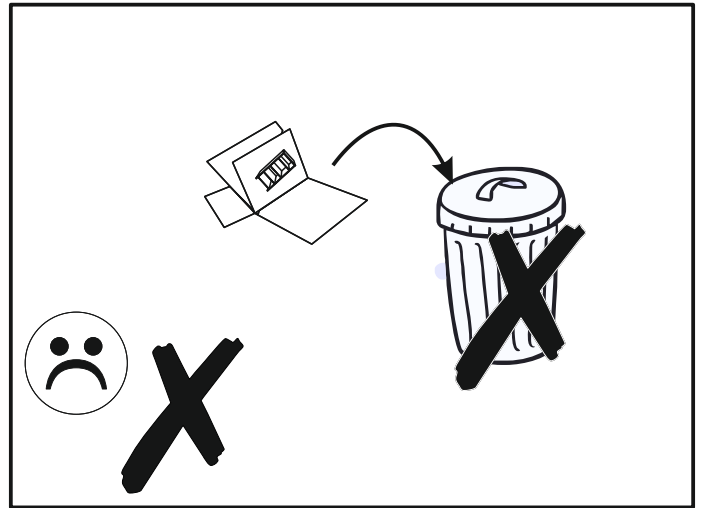
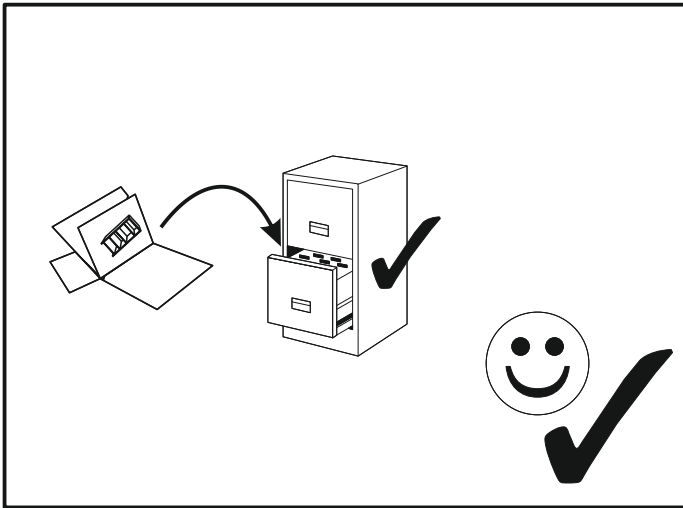
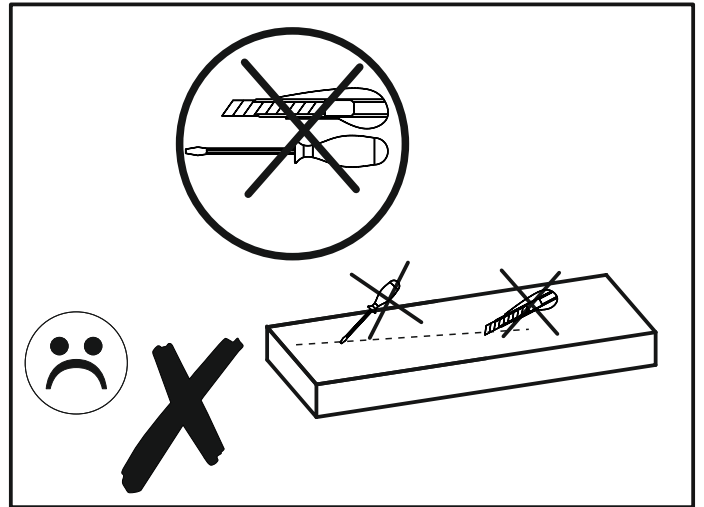
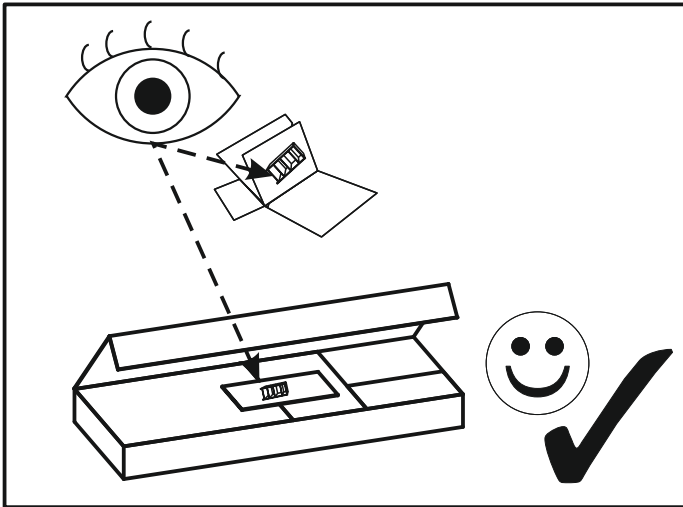
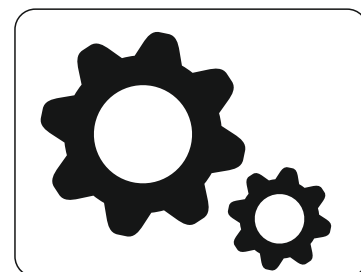
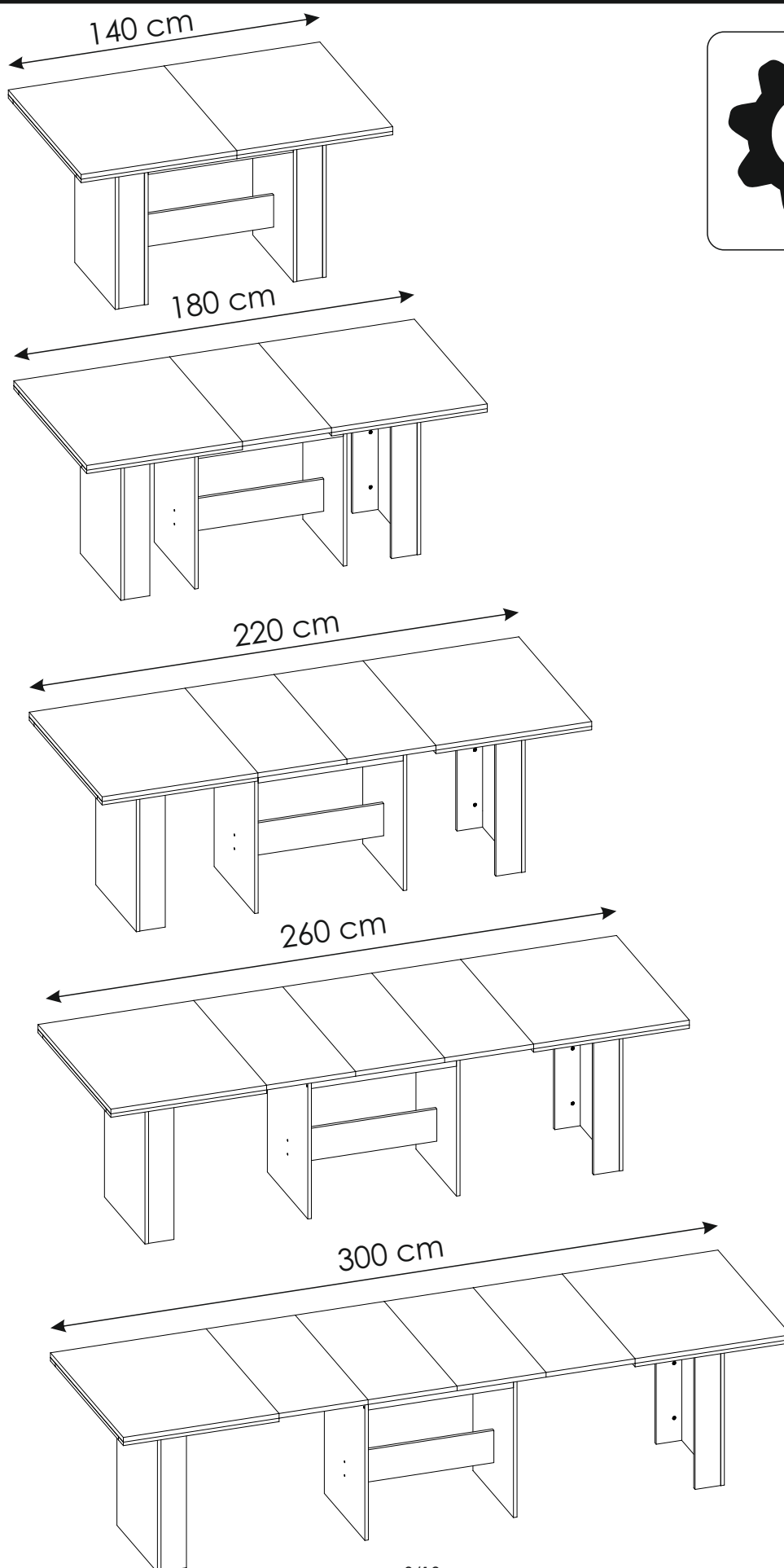


MNST01 / MWST01

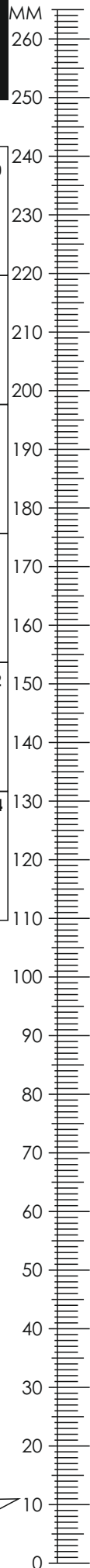


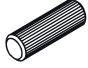



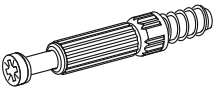

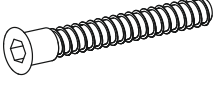

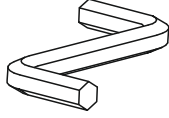
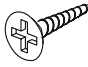
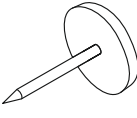

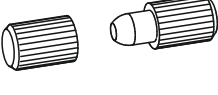
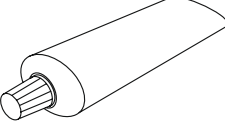
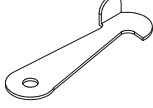
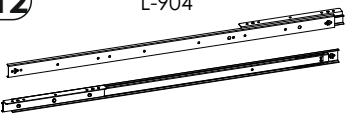
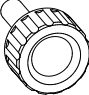
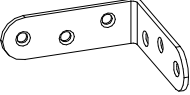


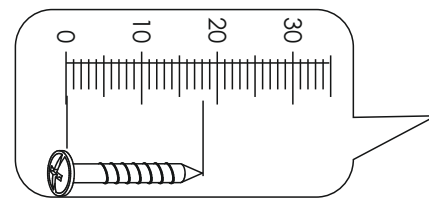
MNST01 / MWST01



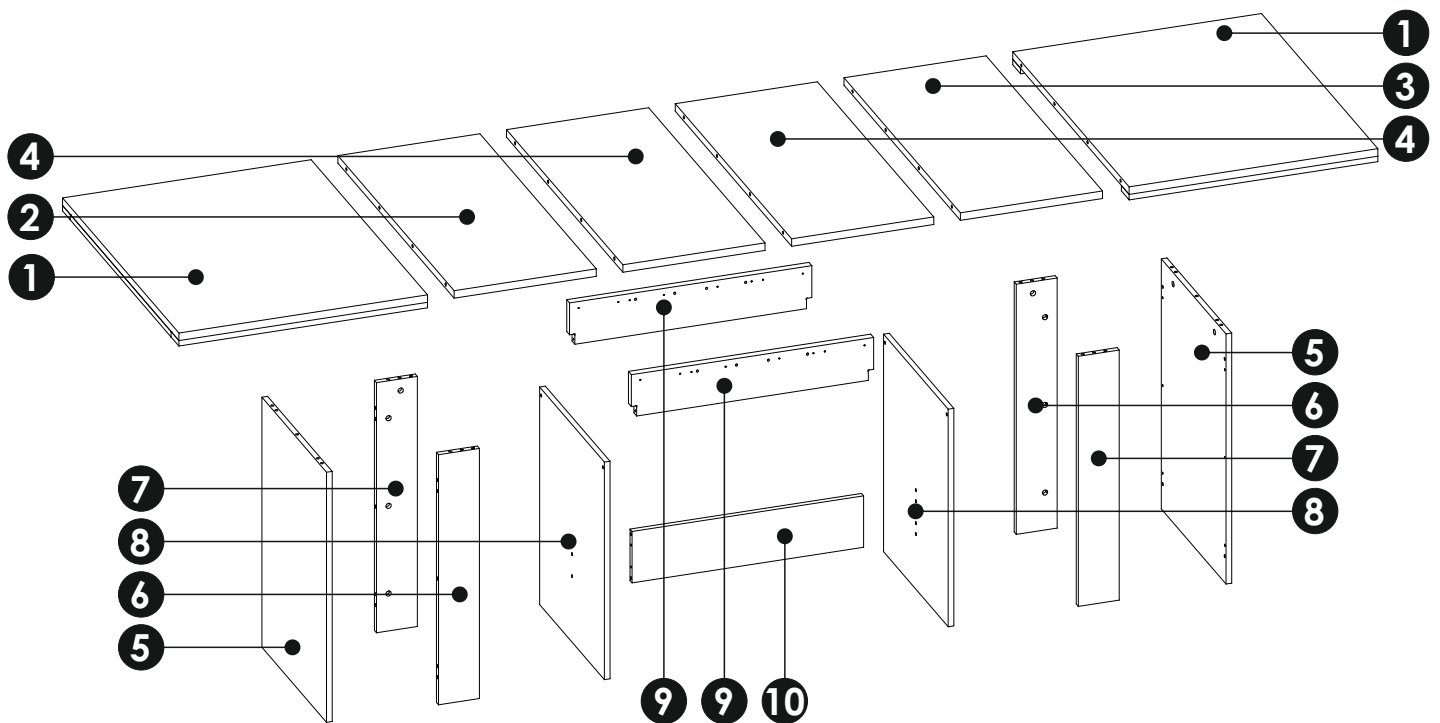
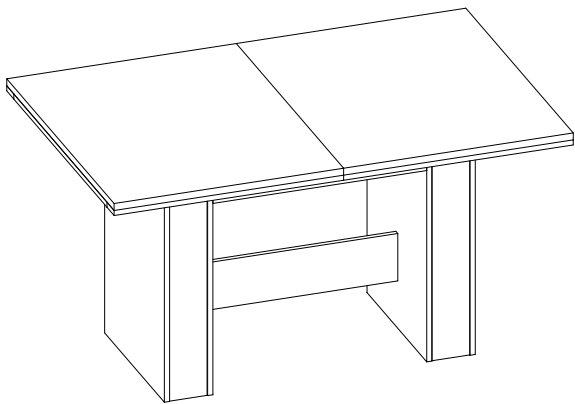
MNST01 / MWST01



A1 8 x 35 mm x26 	C2 5 x 13 mm x32 	E0 x20 
E1 15 x 12 mm x20 	F1 6 x 34 mm x20 	G0 x4 
G1 7 x 50 mm x8 	I2 4 x 16 mm x24 	M x1 
N2 3,5 X 16 mm x24 	O2 x12 	O2A ø20 x8 
R8 x20 	S x1 	S19 x2 
T12 L-904 x2 	TB1 x4 	W x4 

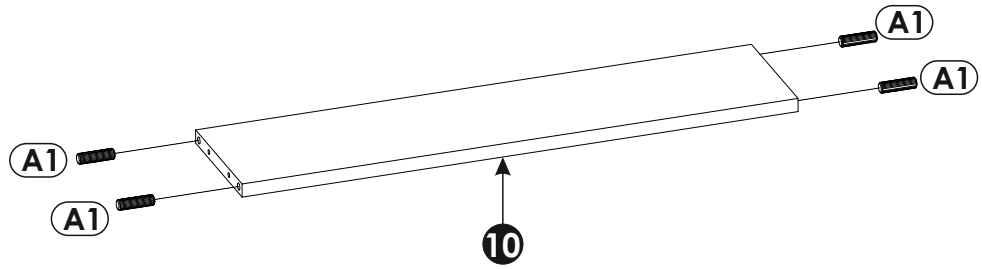


MINST01

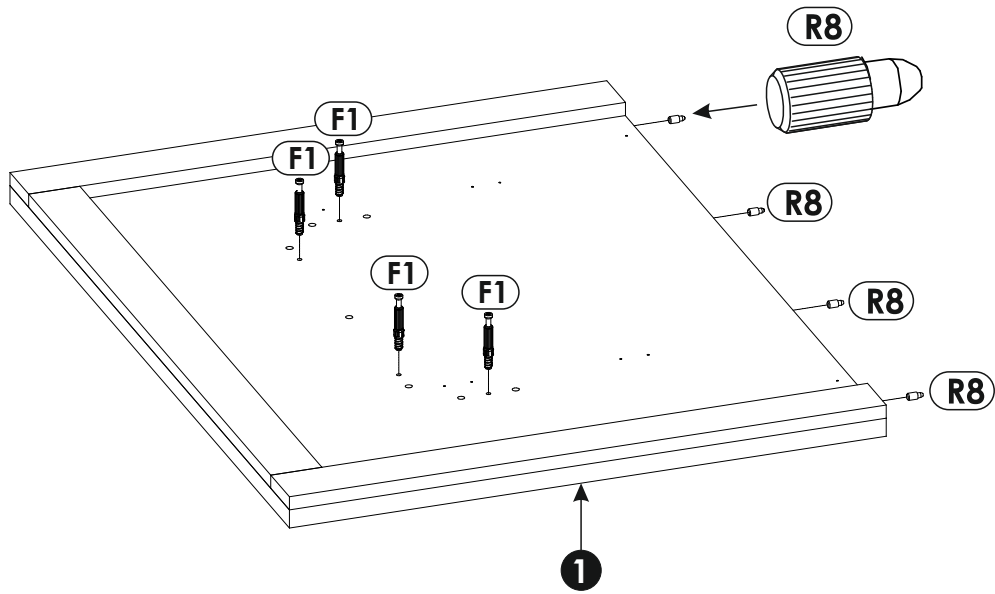


1	900	700	38	x2	2/3	6	730	115	16	x2	1/3
2	900	400	22	x1	3/3	7	730	115	16	x2	1/3
3	900	400	22	x1	3/3	8	635	500	16	x2	1/3
4	900	400	22	x2	3/3	9	682	123	22	x2	1/3
5	730	500	16	x2	1/3	10	652	150	16	x1	2/3

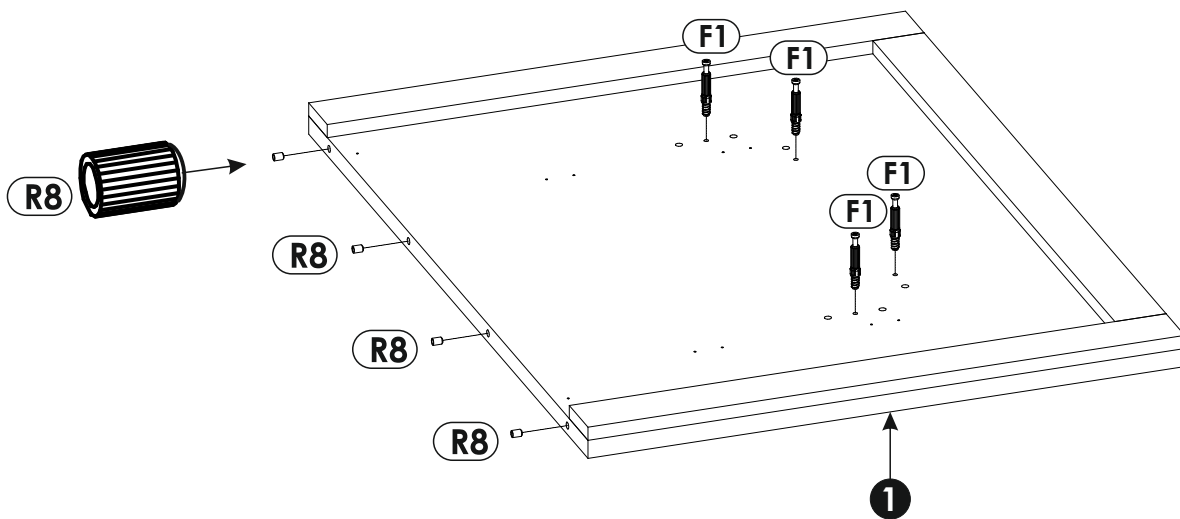
1 ▶



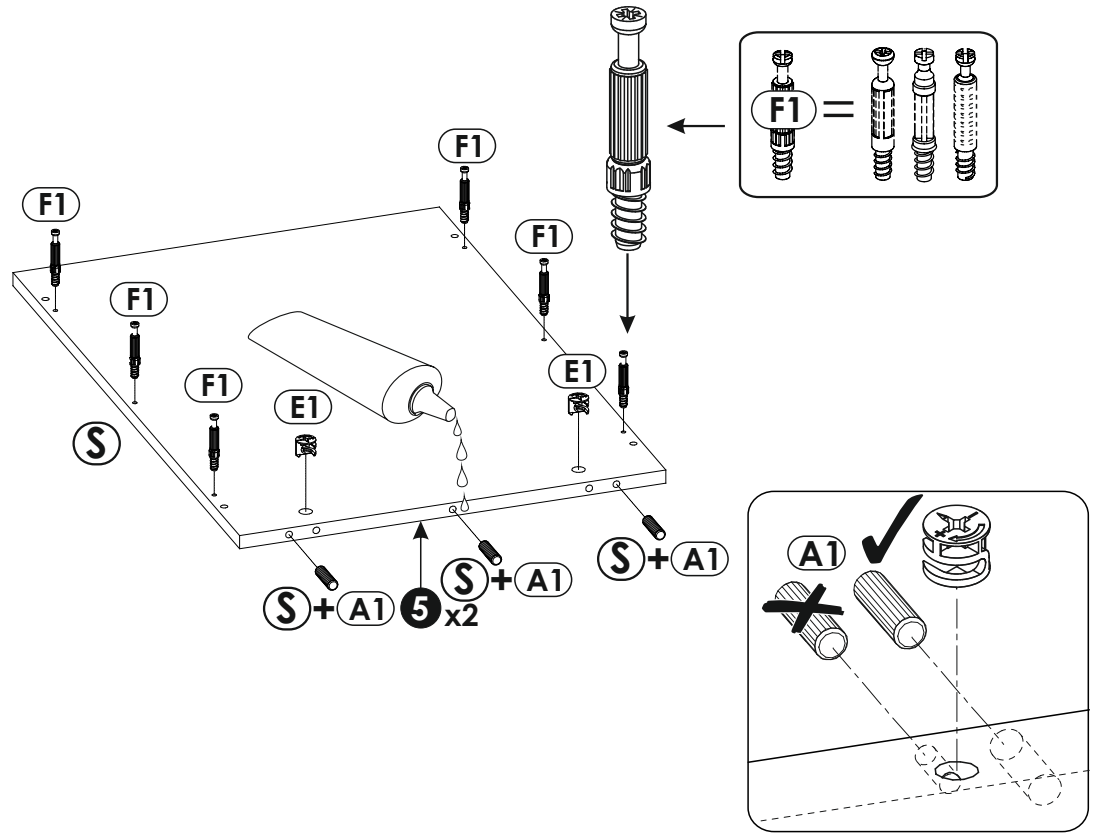
2 ▶



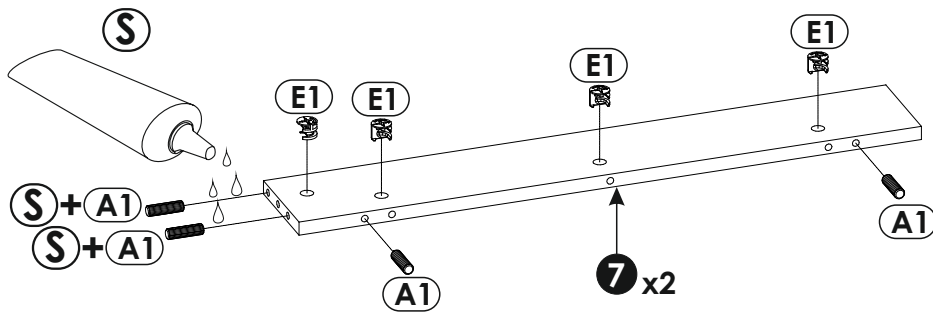
3 ▶



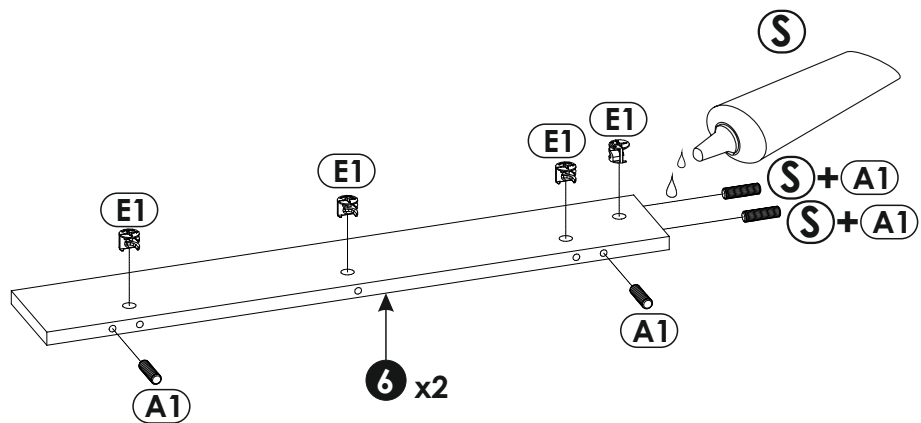
4 ▶



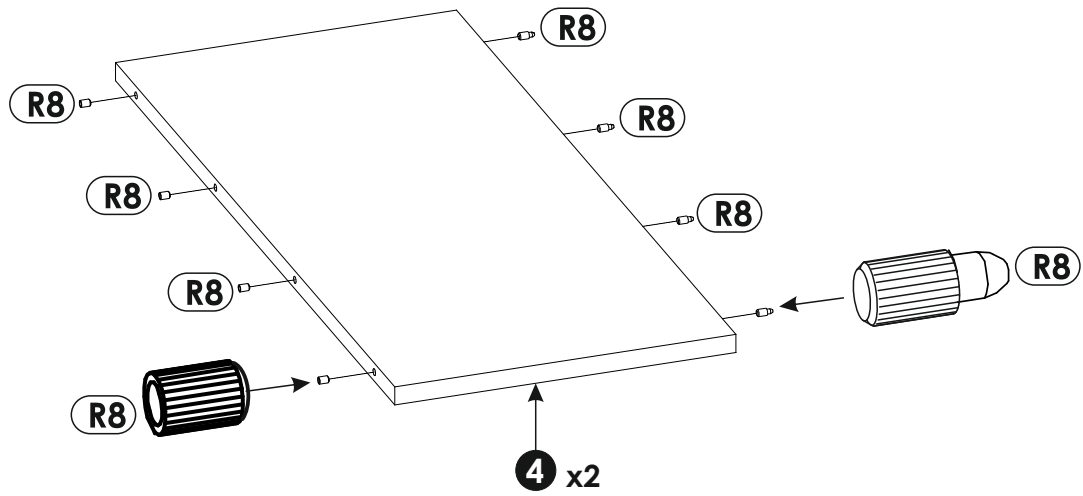
5 ▶



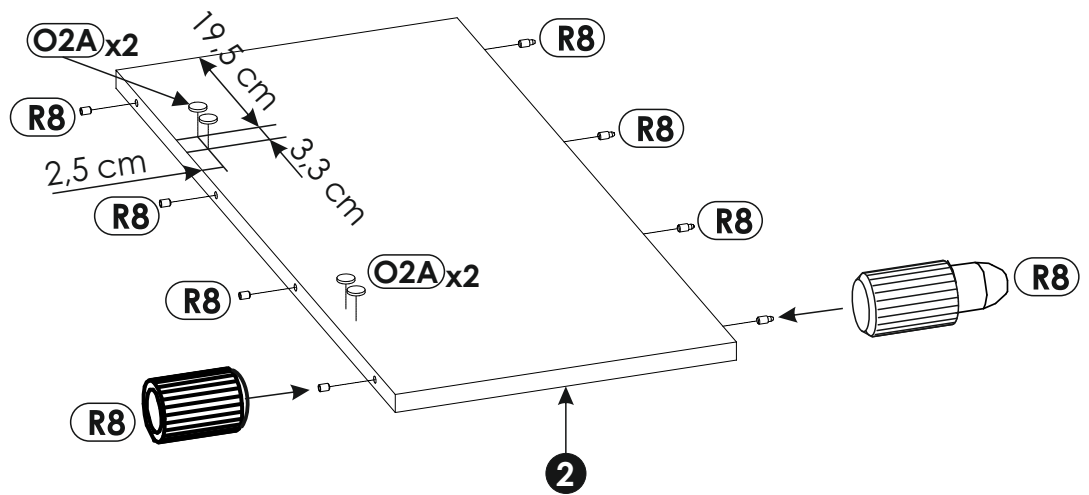
6 ▶



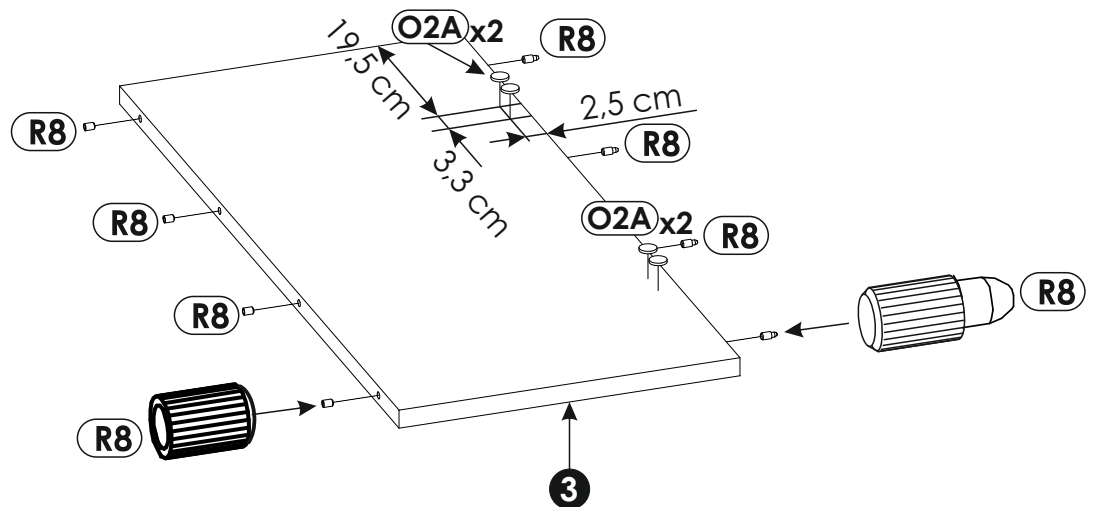
7 ▶



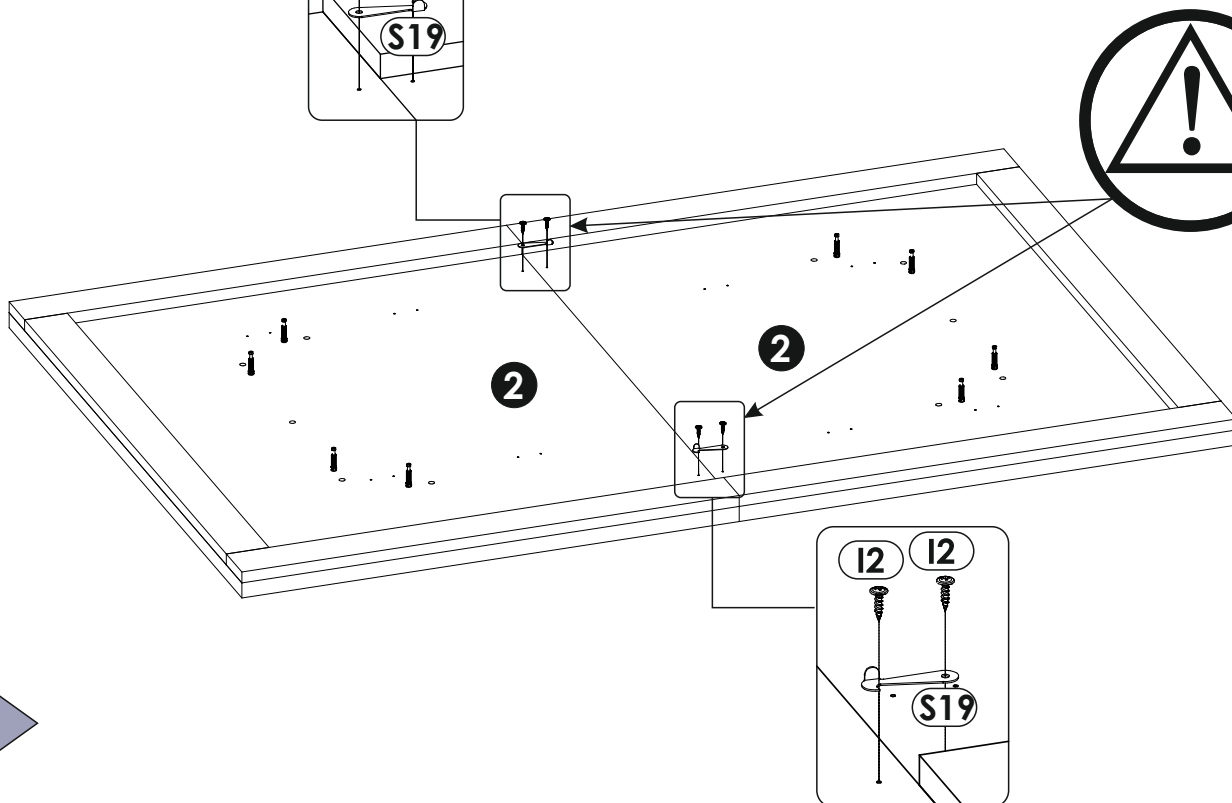
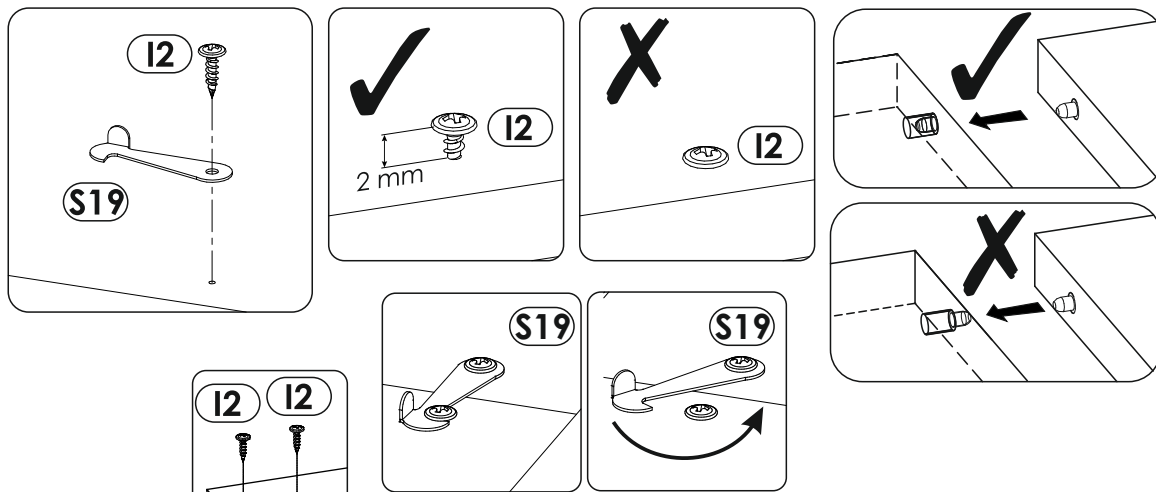
8 ▶



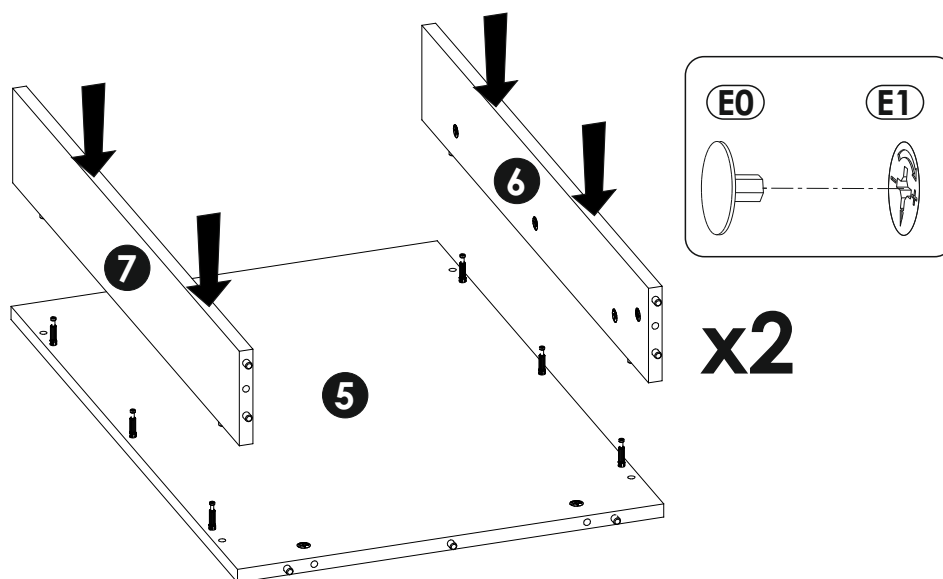
9 ▶



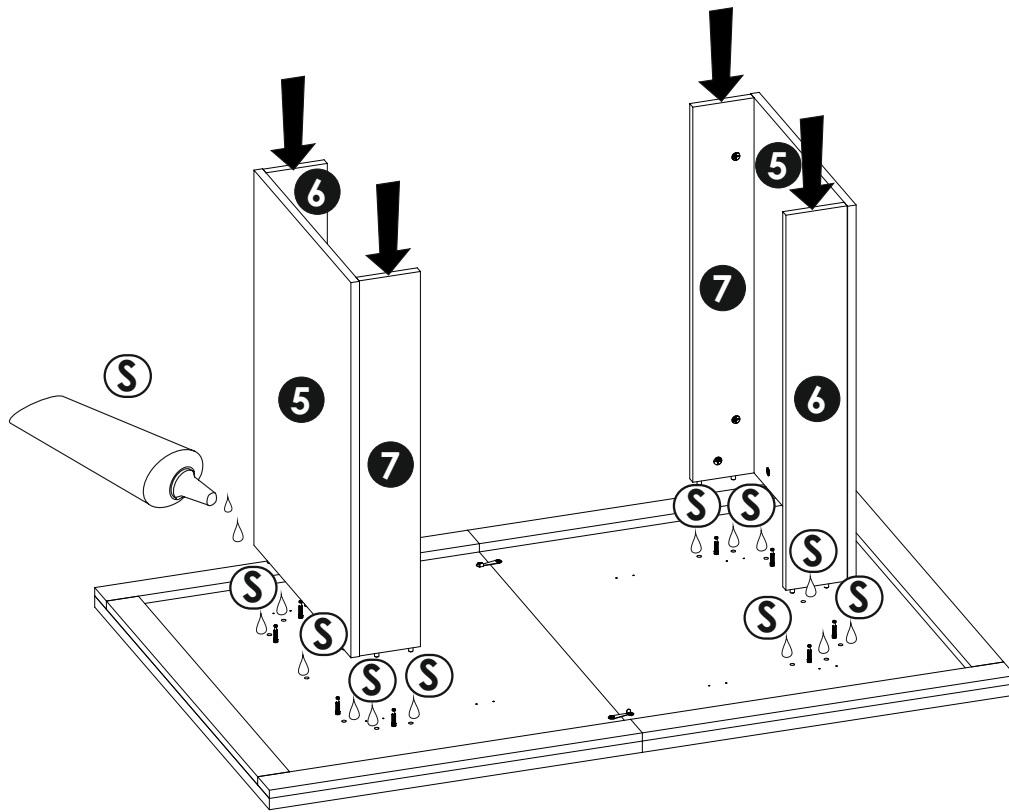
10 ▶



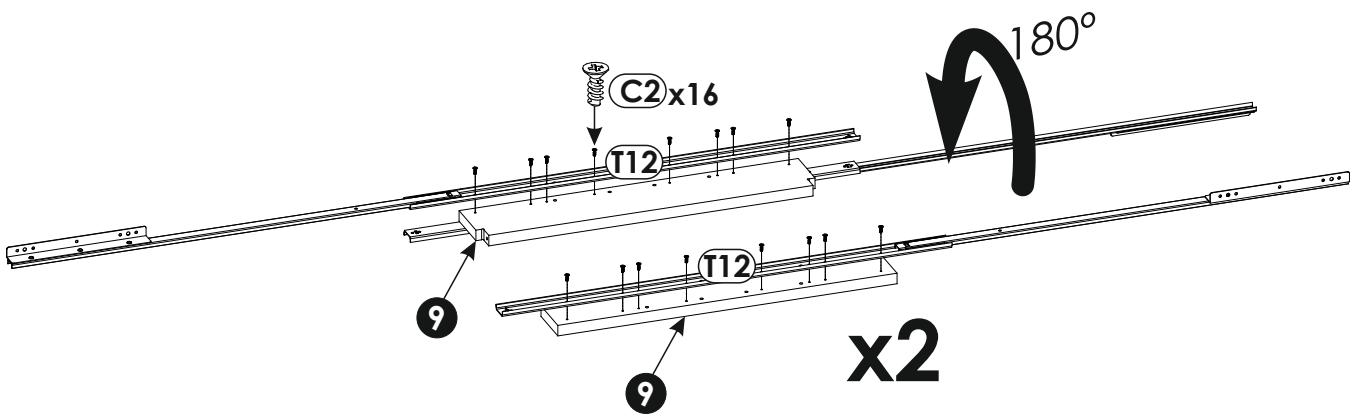
11 ▶



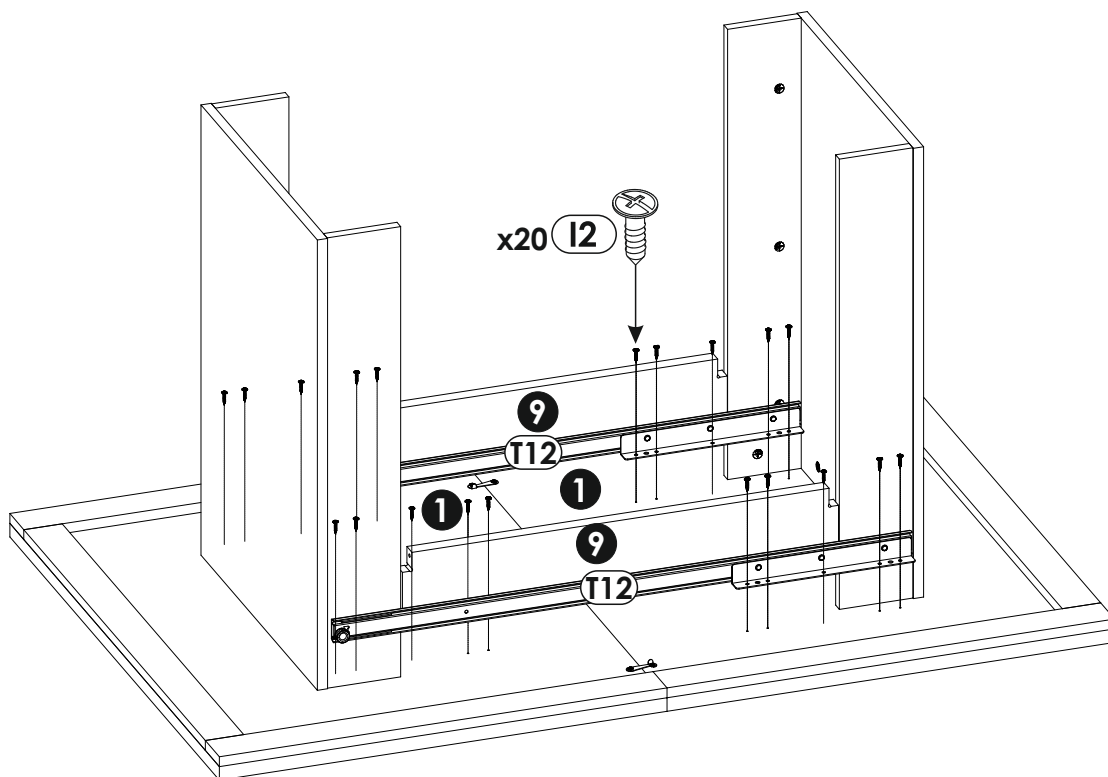
12▶



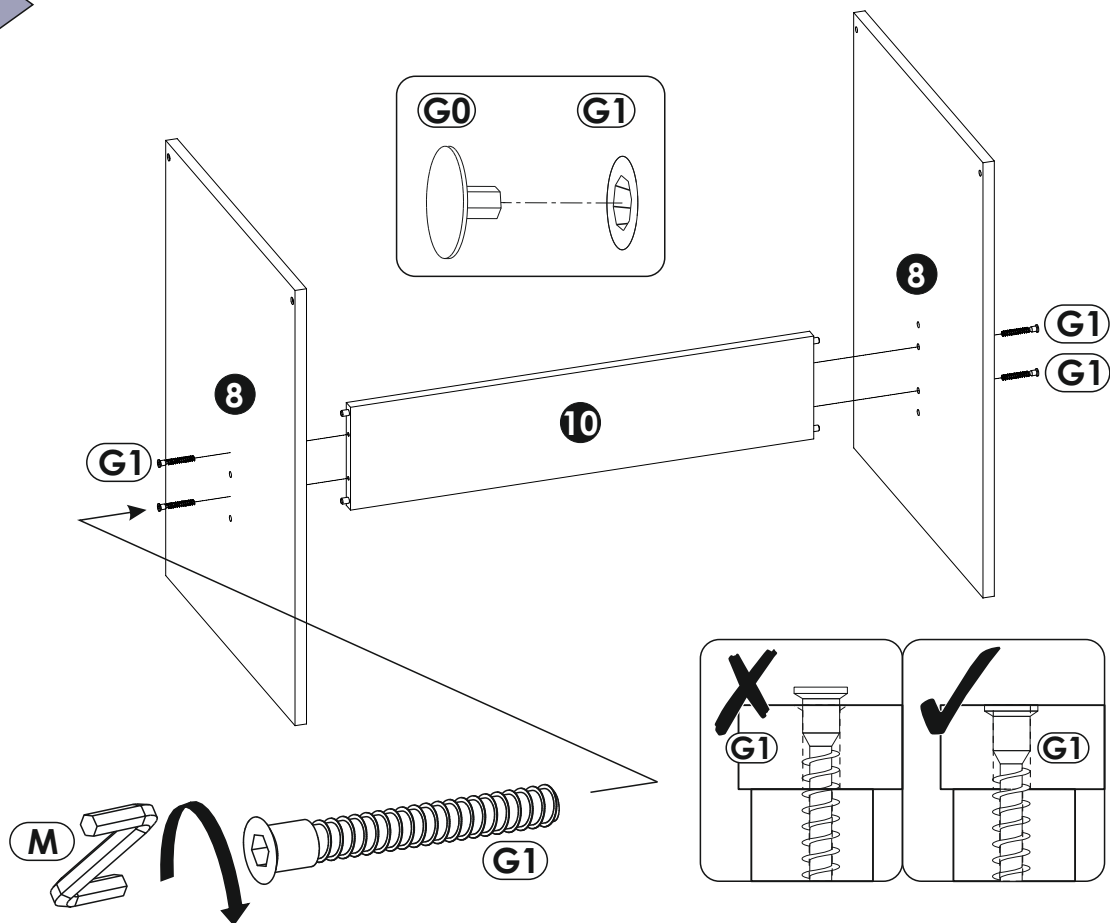
13▶



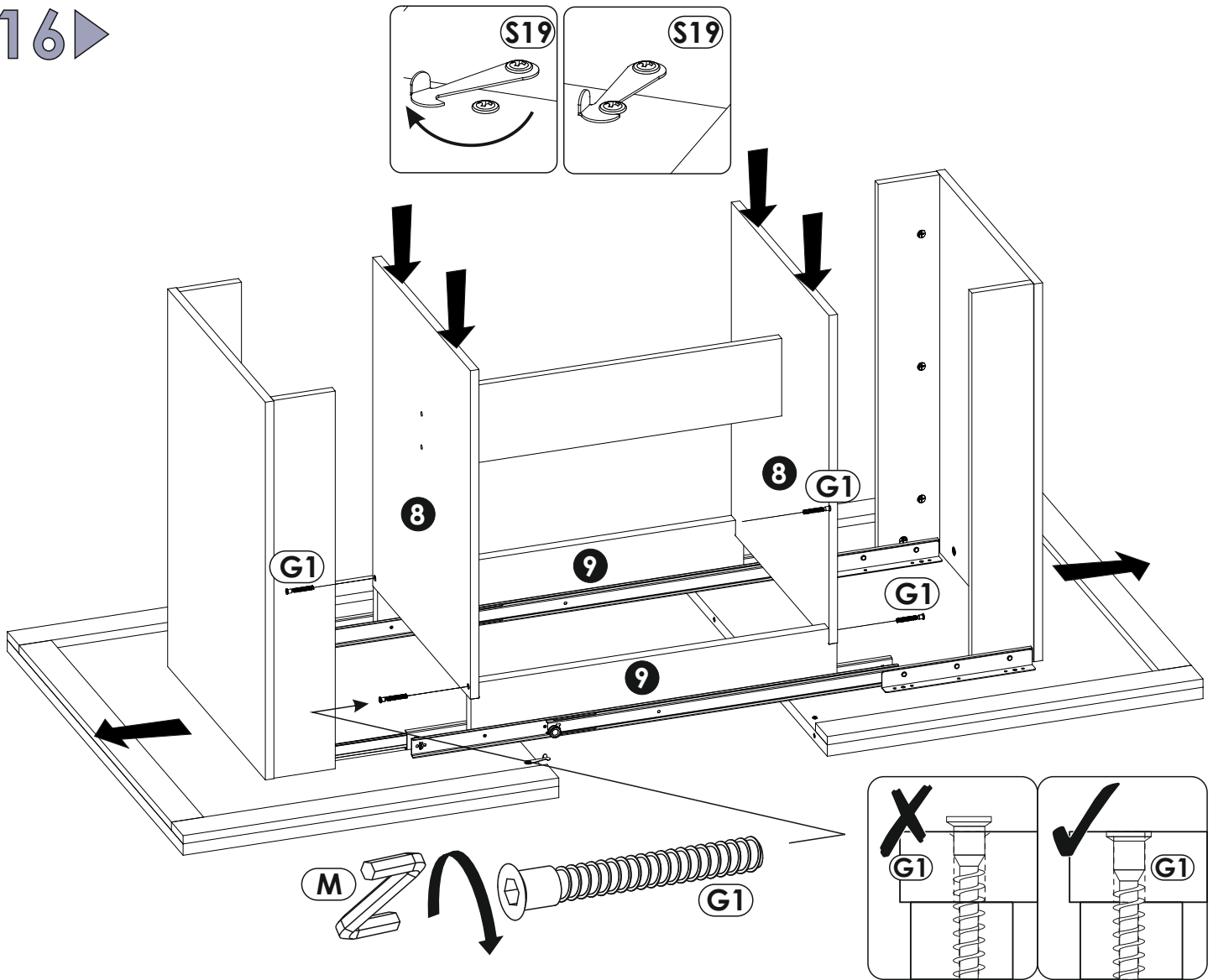
14▶



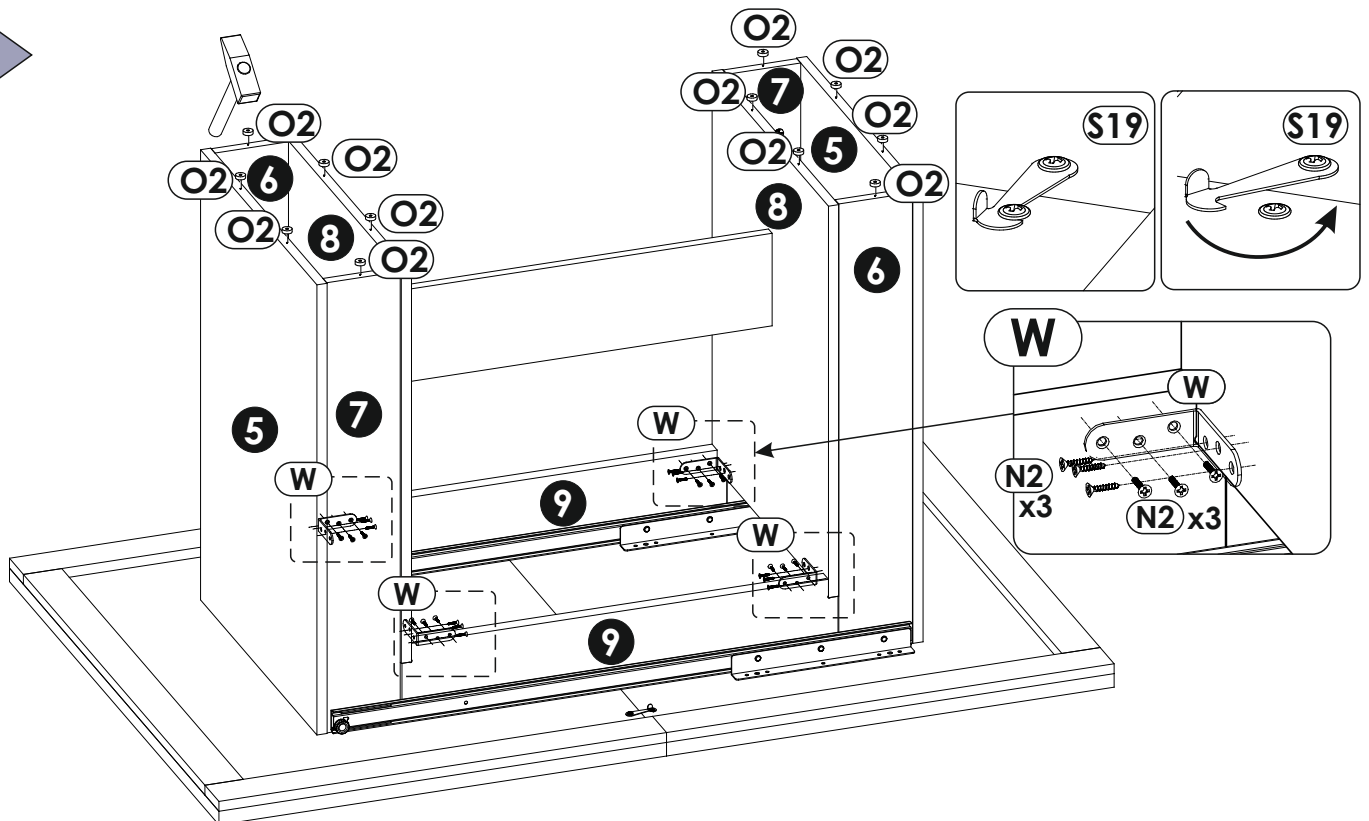
15▶



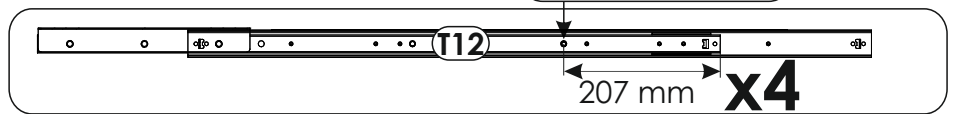
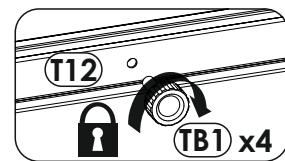
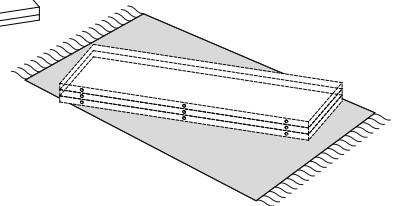
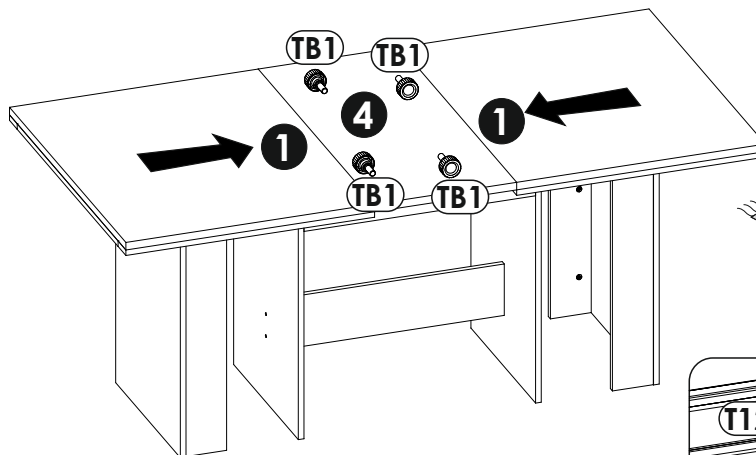
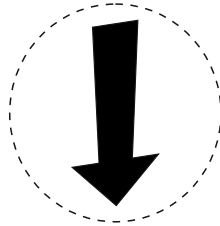
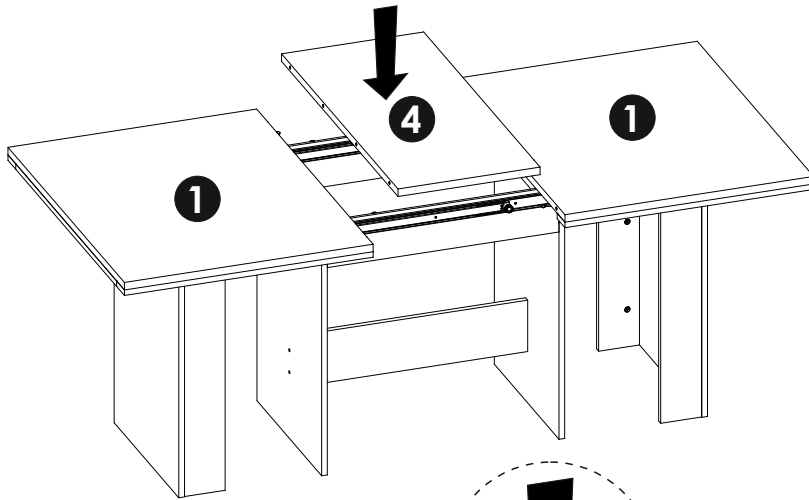
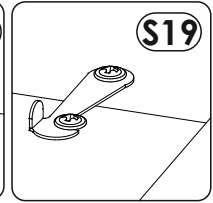
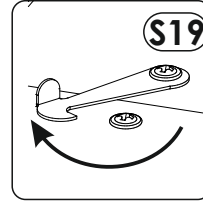
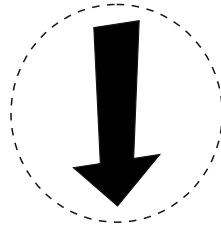
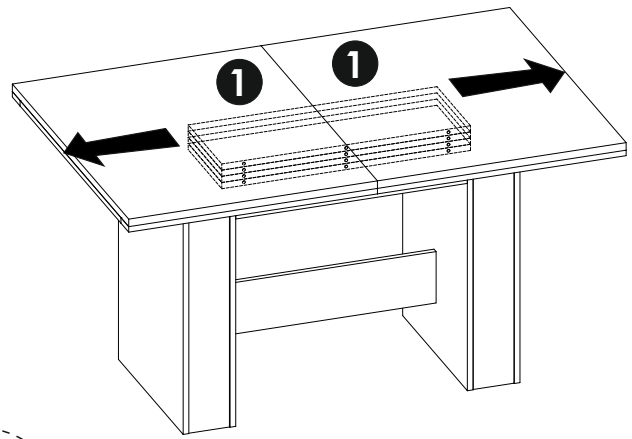
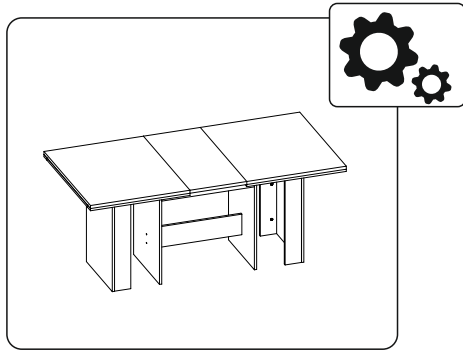
16▶



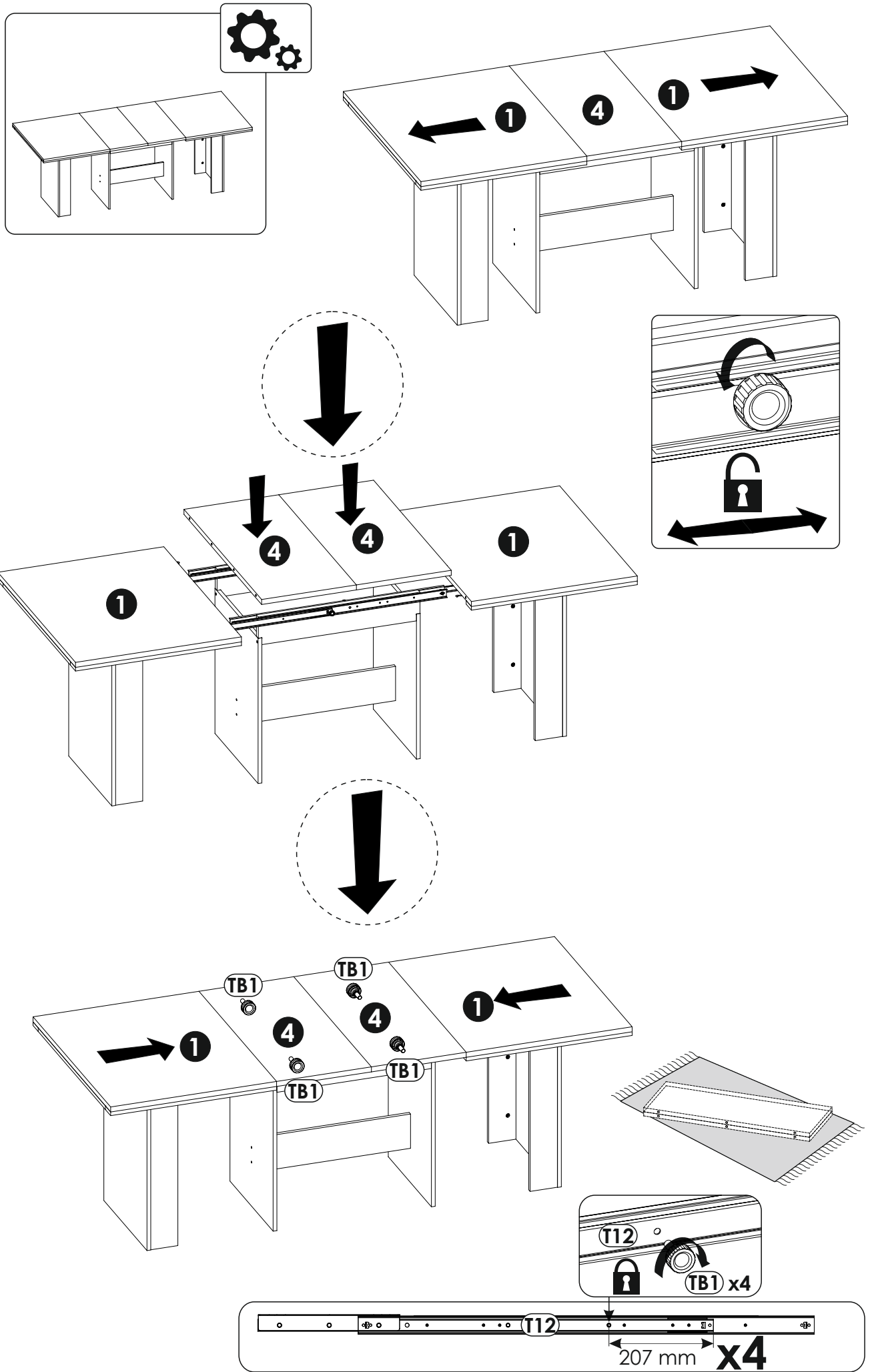
17▶



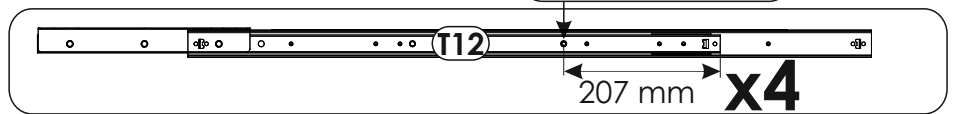
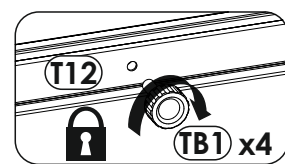
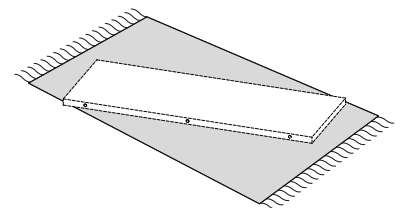
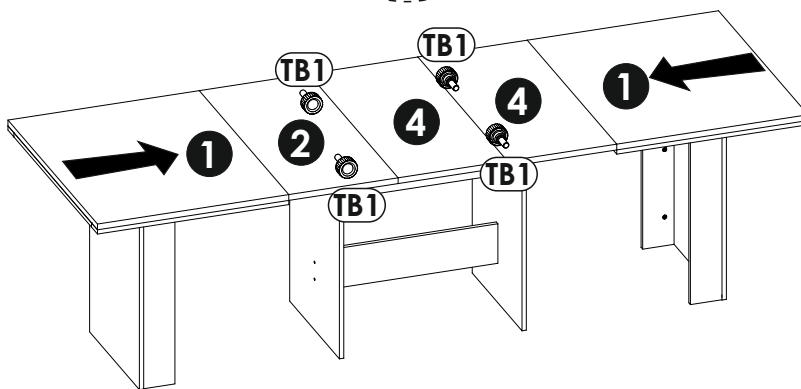
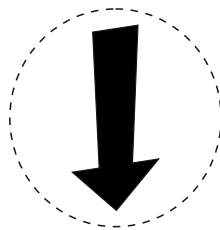
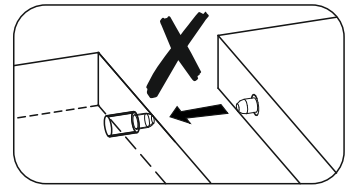
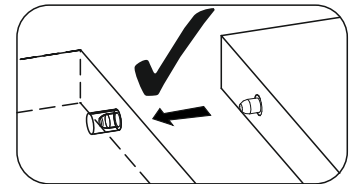
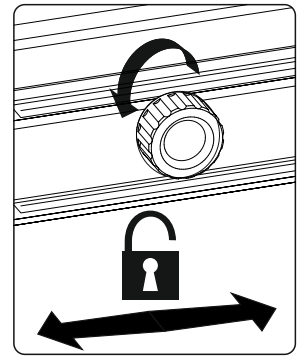
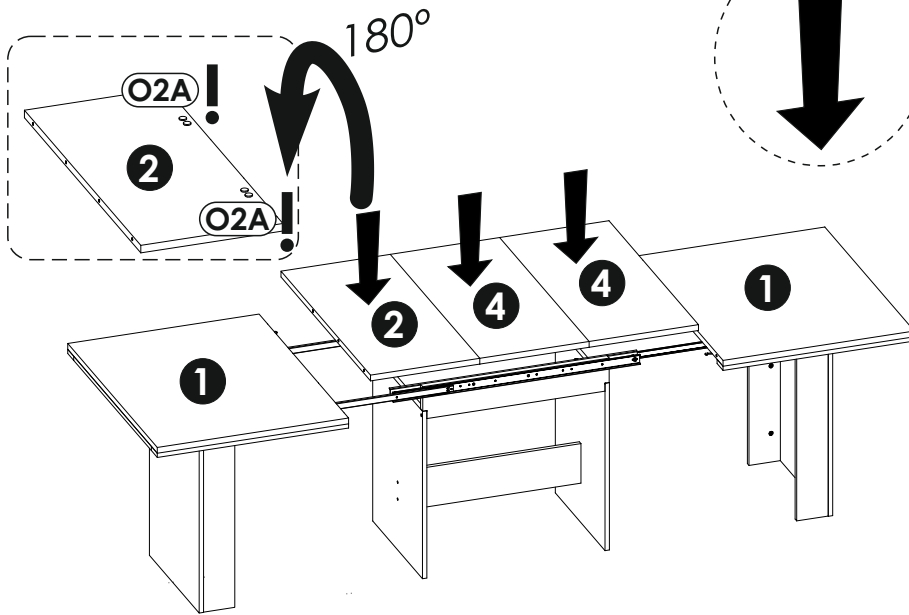
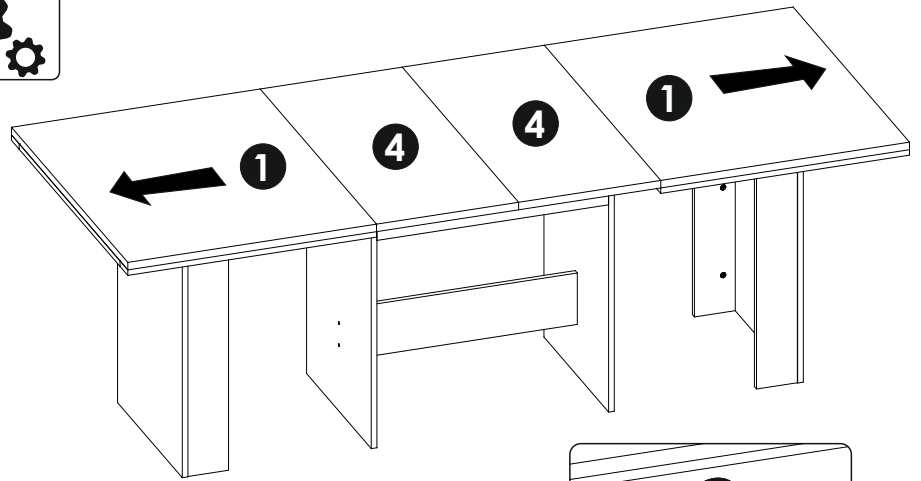
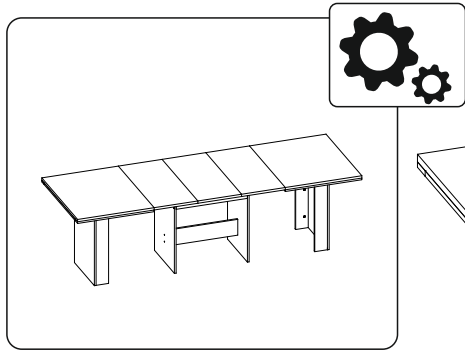
18▶



19▶



20 ▶



21 ▶

