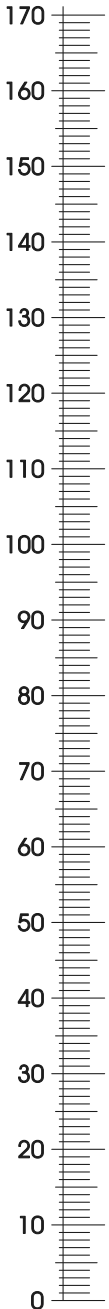
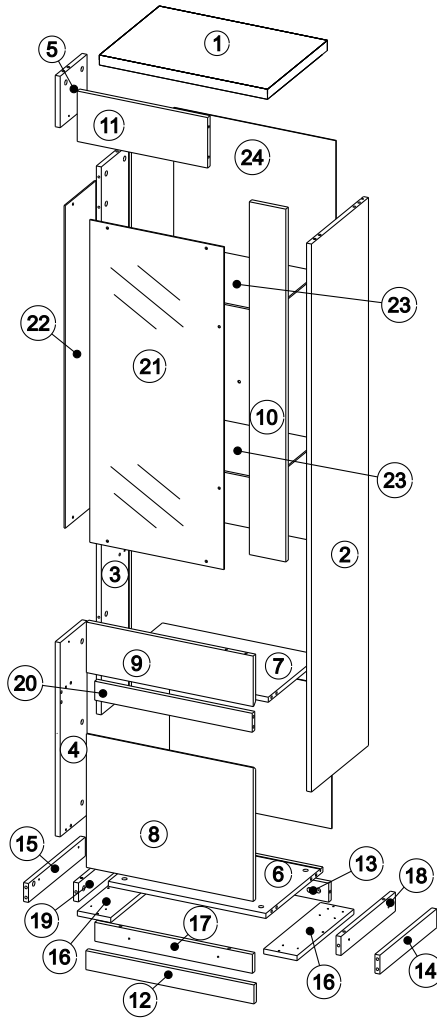
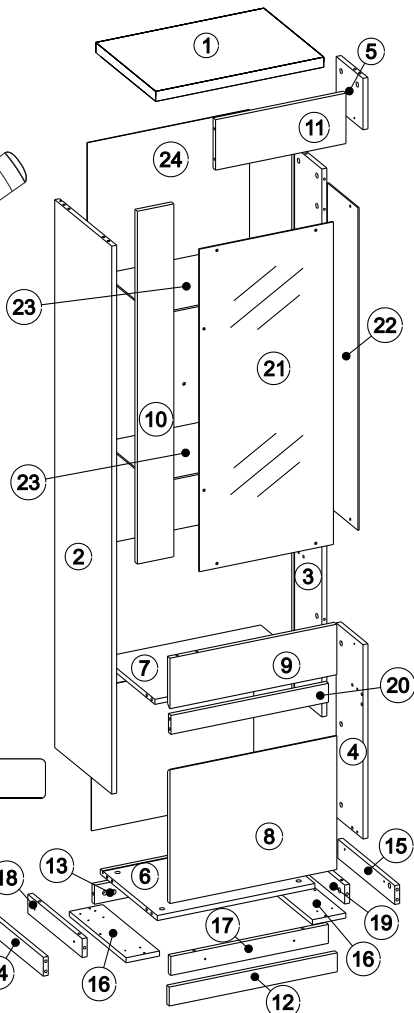
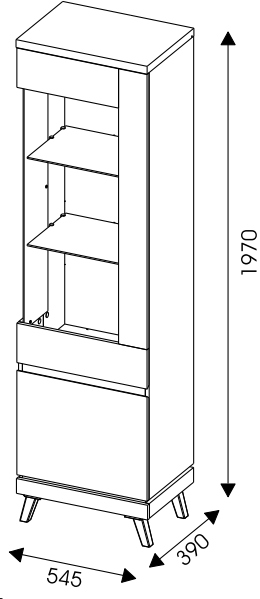
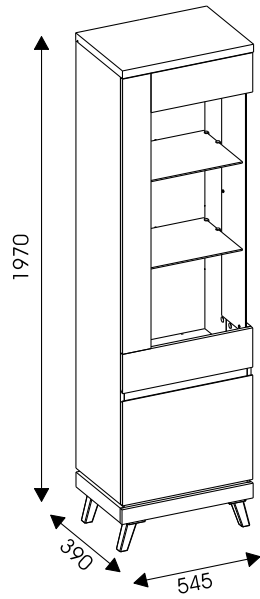
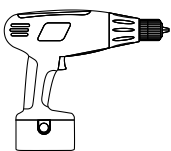
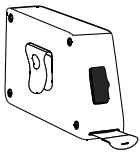
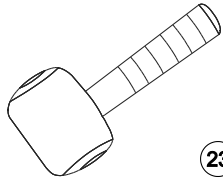
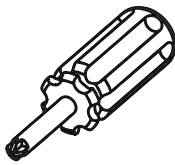
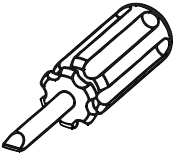
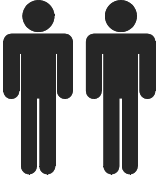
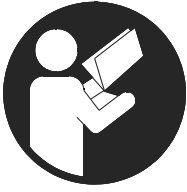


MODELL: AT05; AT06



24	1737x525	2/3
23	502x320	1/3
22	1023x198	2/3
21	1023x434	2/3
20	510x60	2/3
19	352x60	2/3
18	352x60	2/3
17	510x60	2/3
16	368x108	2/3
15	368x60	2/3
14	368x60	2/3
13	477x60	2/3
12	544x60	2/3
11	422x160	3/3
10	1119x118	3/3
9	540x160	3/3
8	424x540	3/3
7	510x335	1/3
6	510x369	1/3
5	163x174	2/3
4	616x174	2/3
3	1738x195	2/3
2	1738x369	2/3
1	545x388	1/3

AT05

AT06

1x(OPCJA, OPTION)



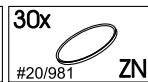
L1



12x
3.5x16
W3



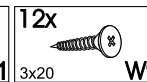
12x
ST1



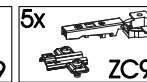
30x
#20/981
ZN1



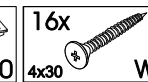
1x
Ł1



12x
3x20
W9



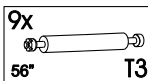
5x
ZC90



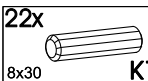
16x
4x30
W4



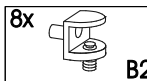
4x
N1



9x
56°
T3



22x
8x30
K1



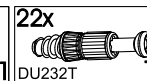
8x
B2



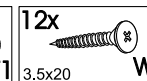
9x
TU1



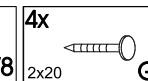
40x
#15/15
M1



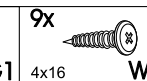
22x
DU232T
T1



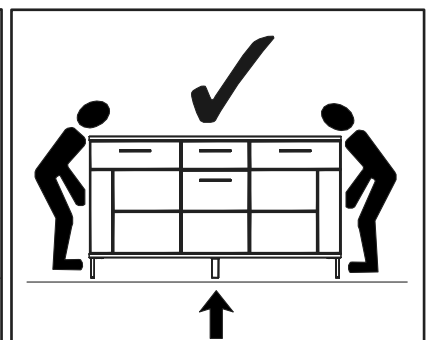
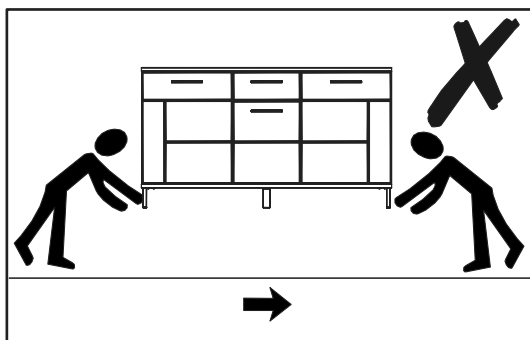
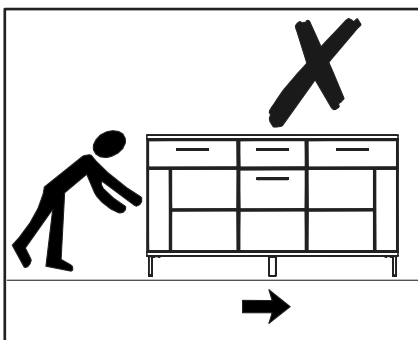
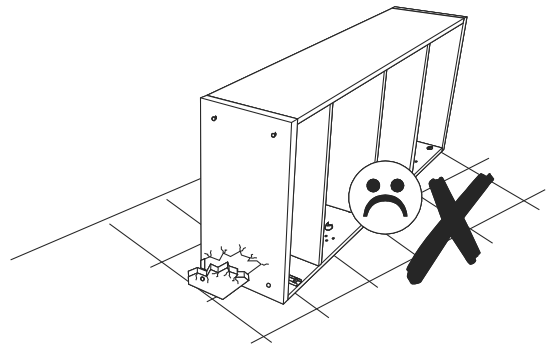
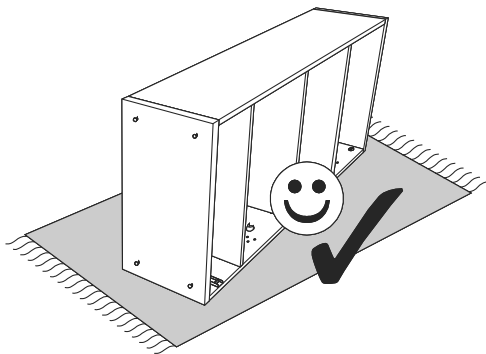
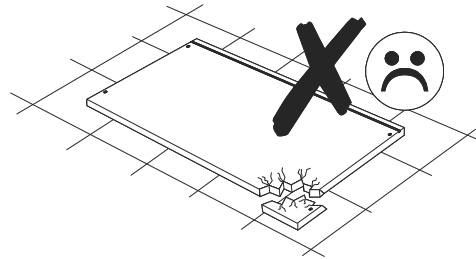
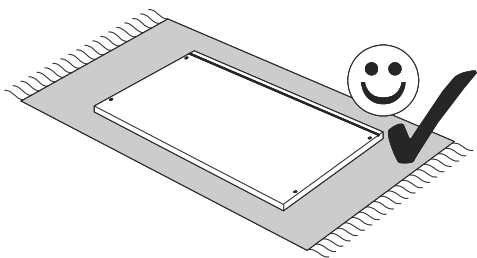
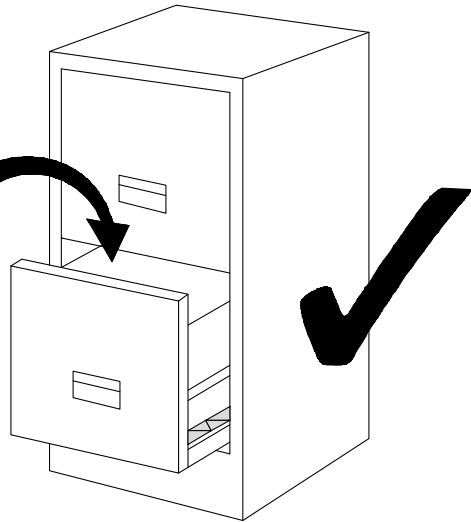
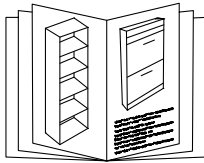
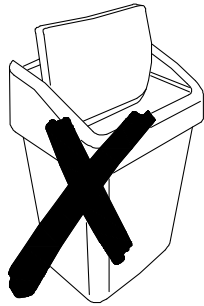
12x
3.5x20
W8

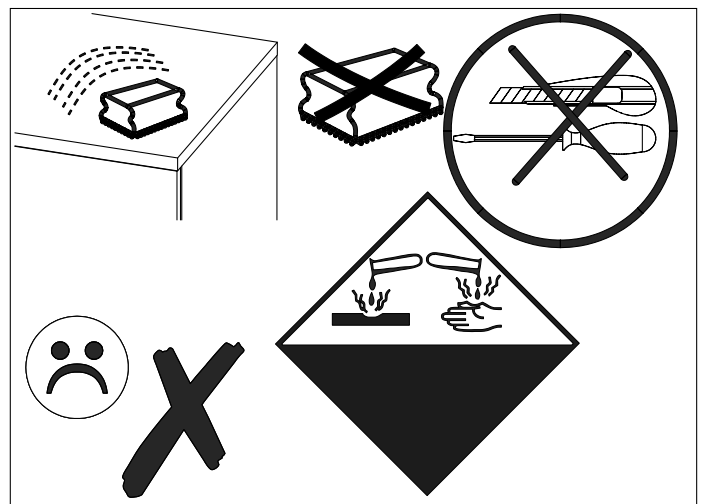
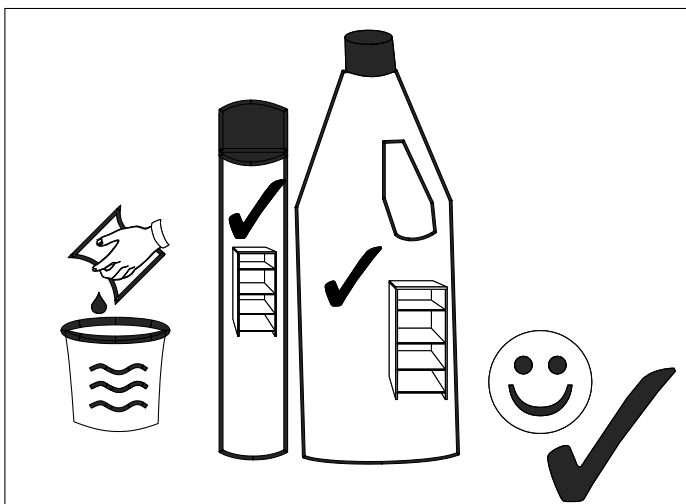
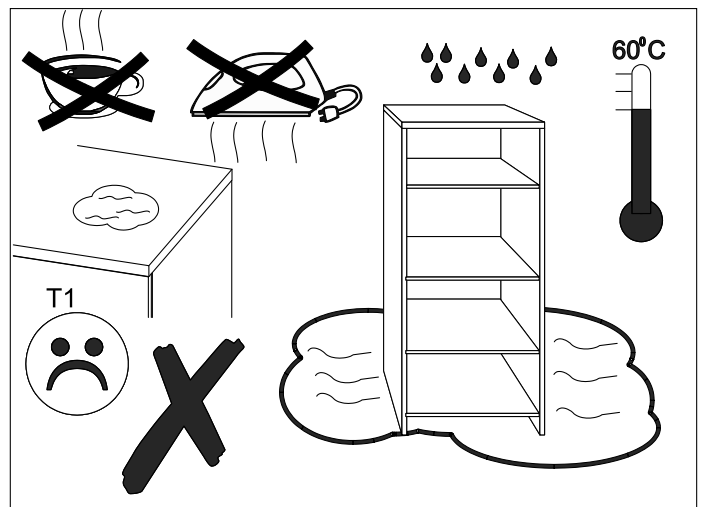
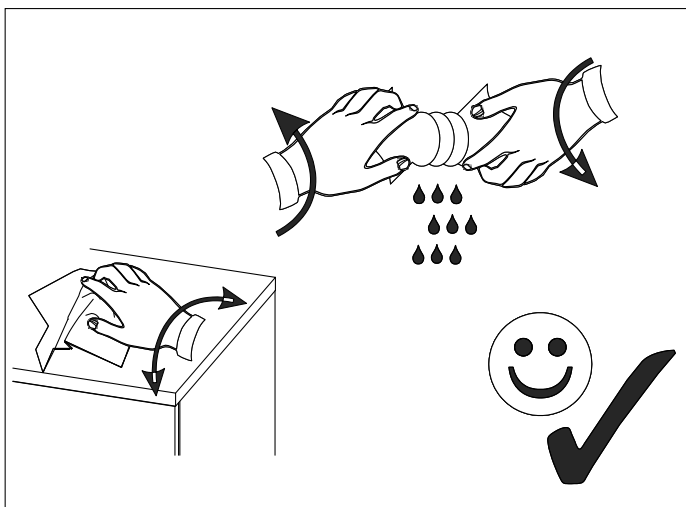
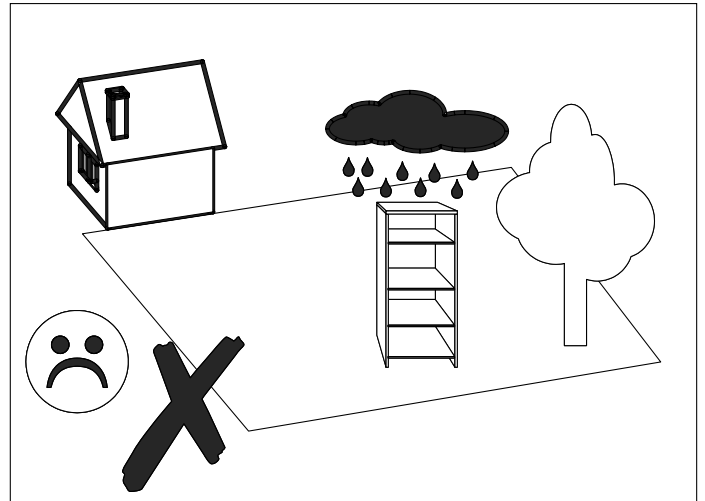
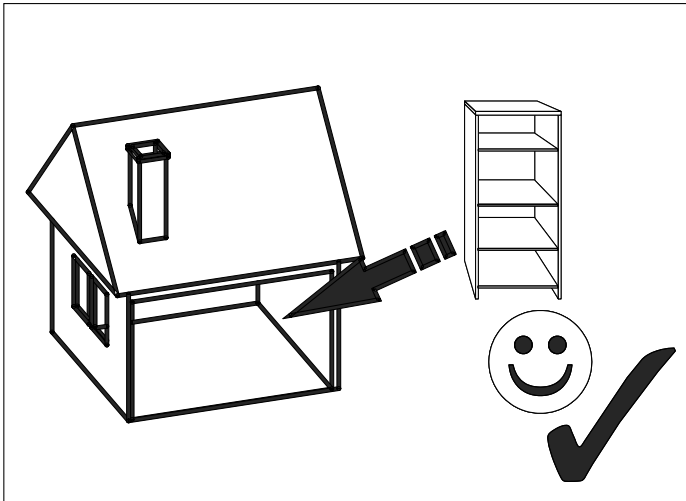


4x
2x20
G1

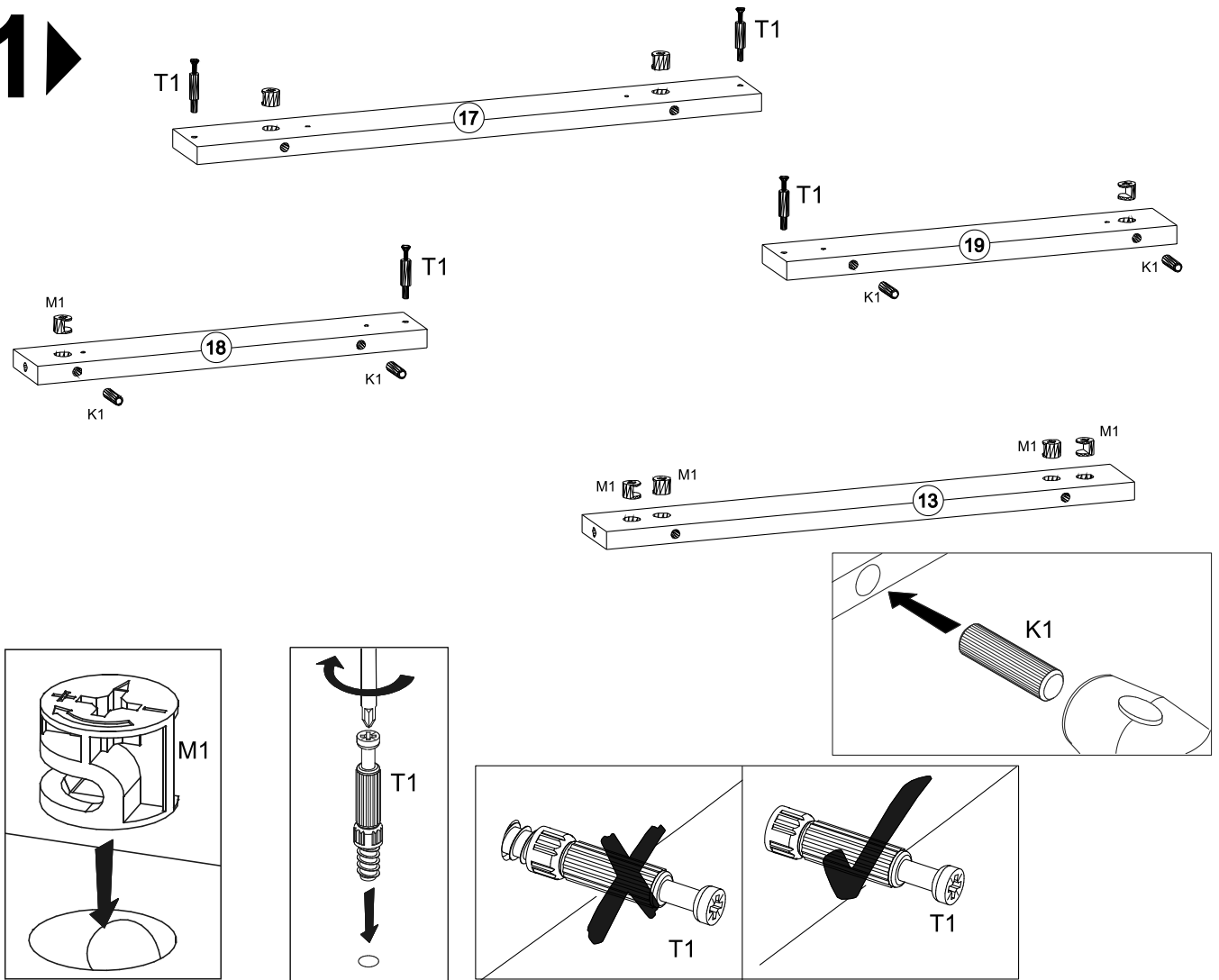


9x
4x16
WP4

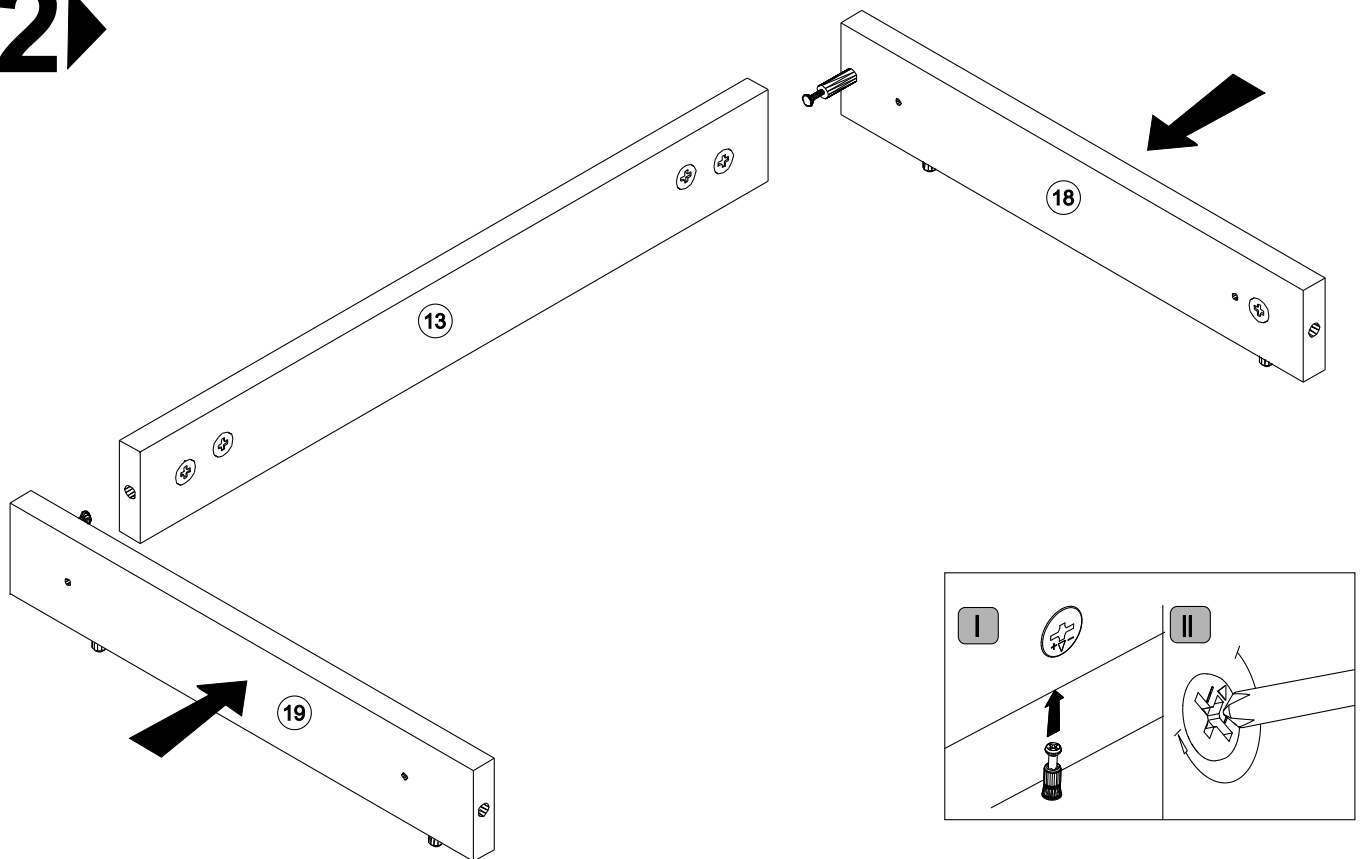




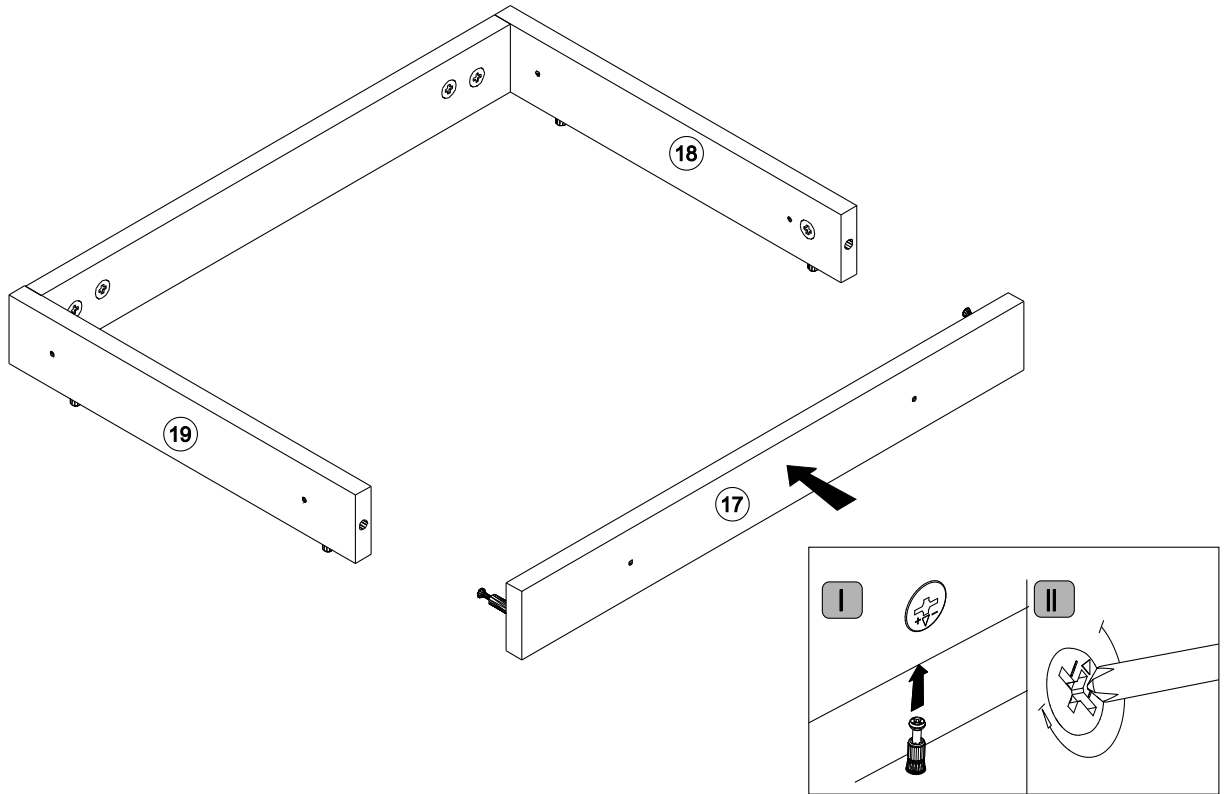
1



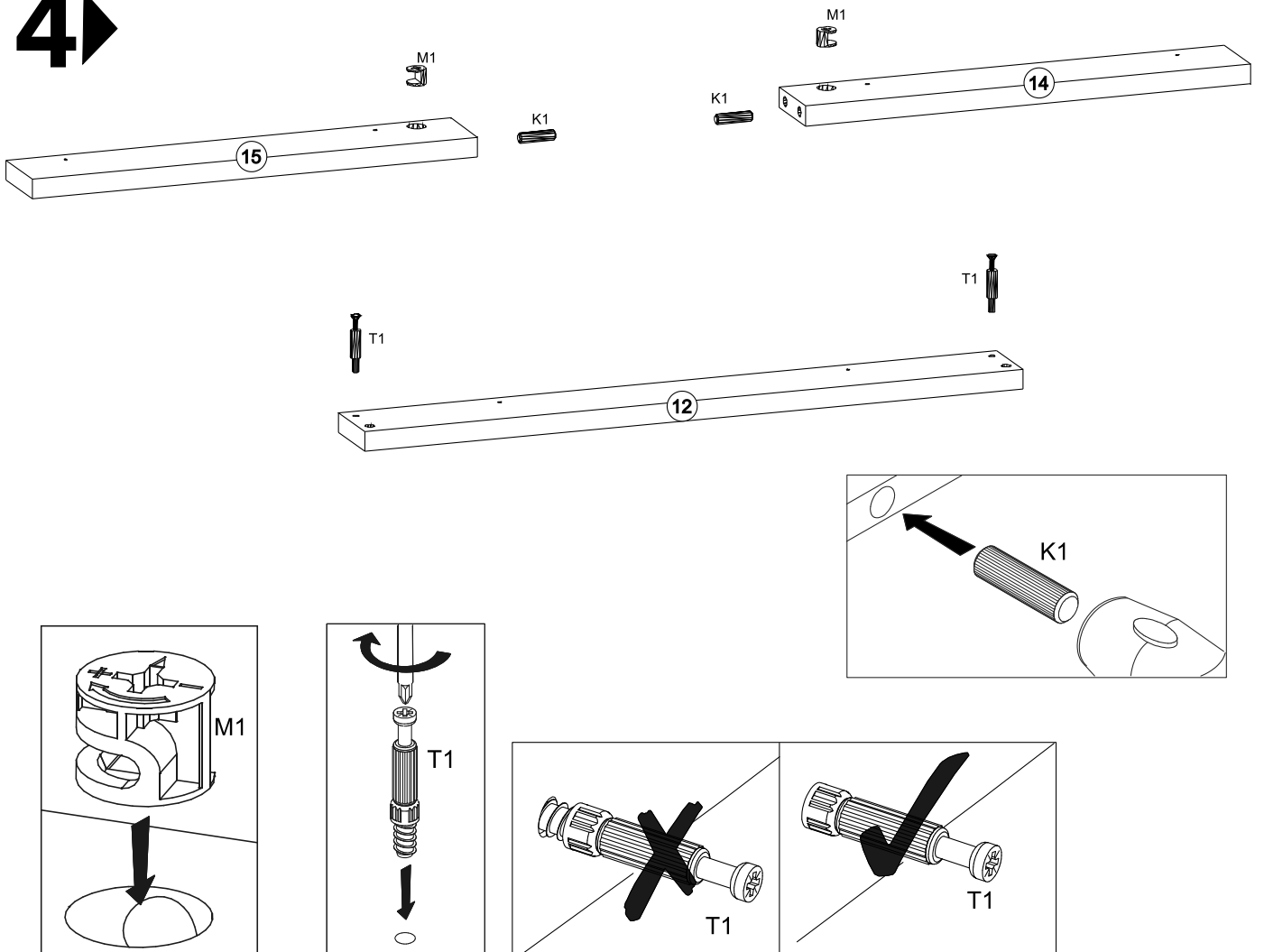
2



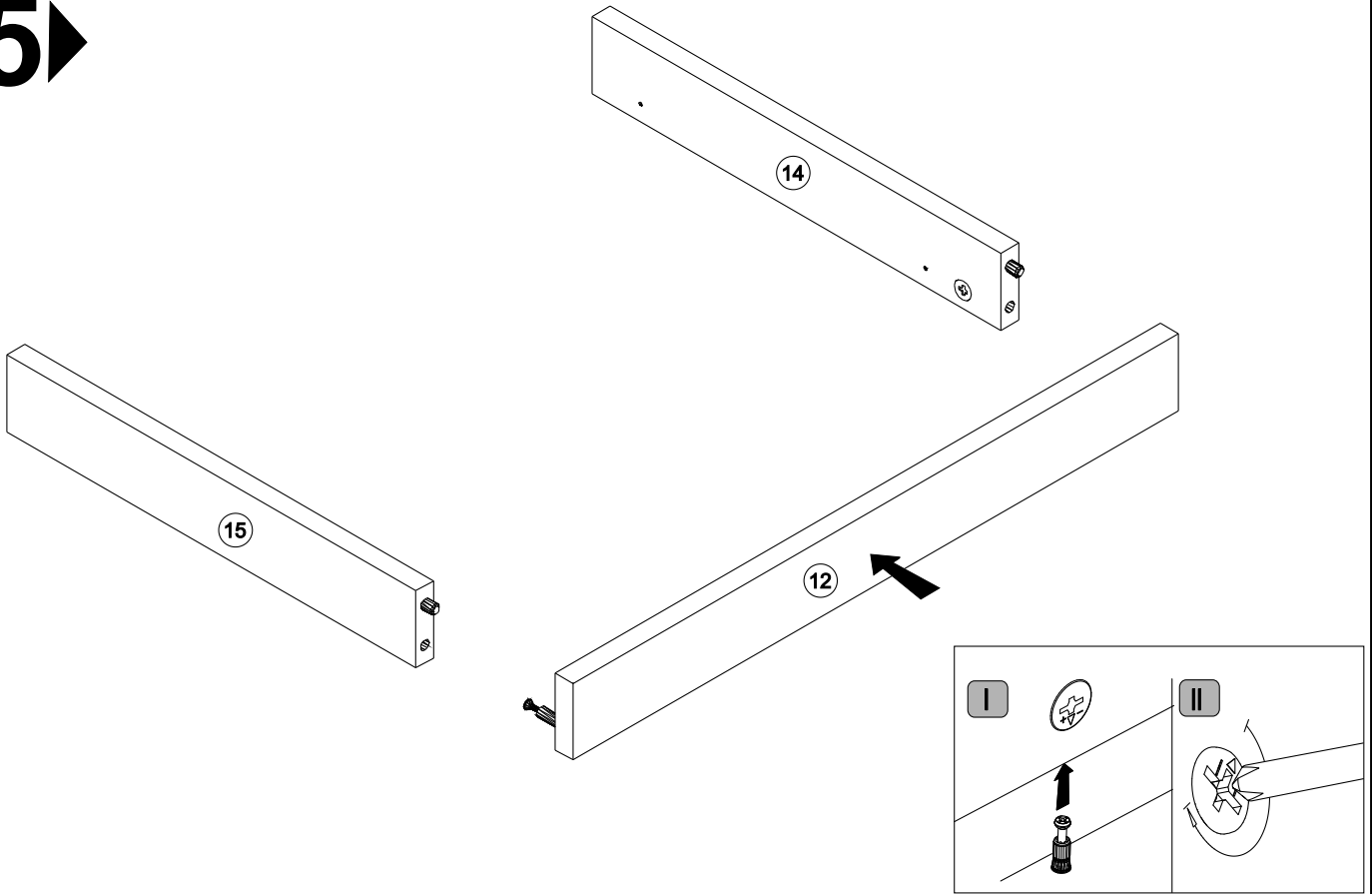
3



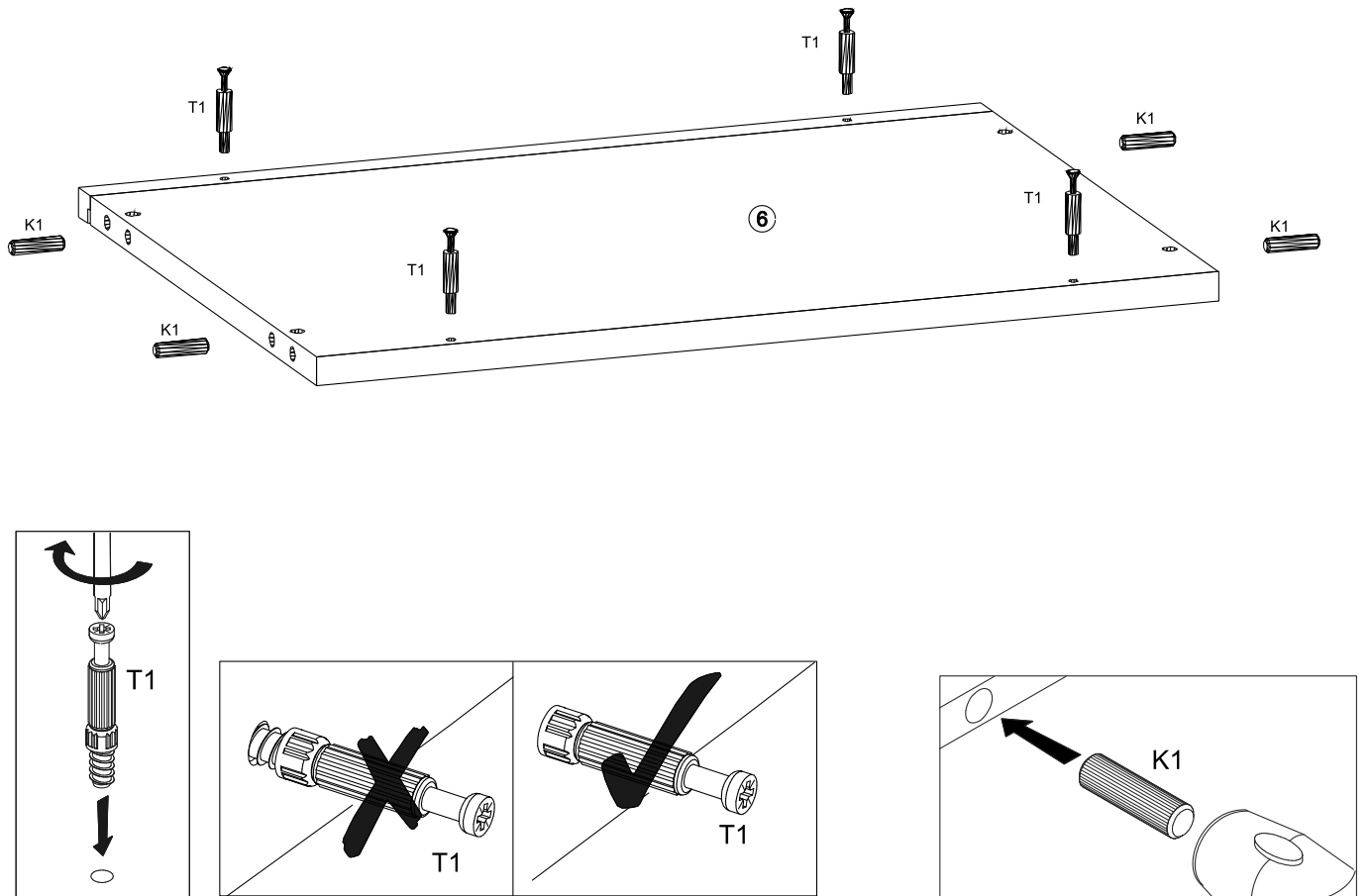
4



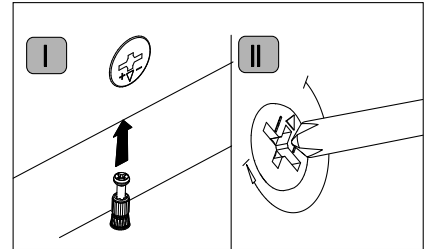
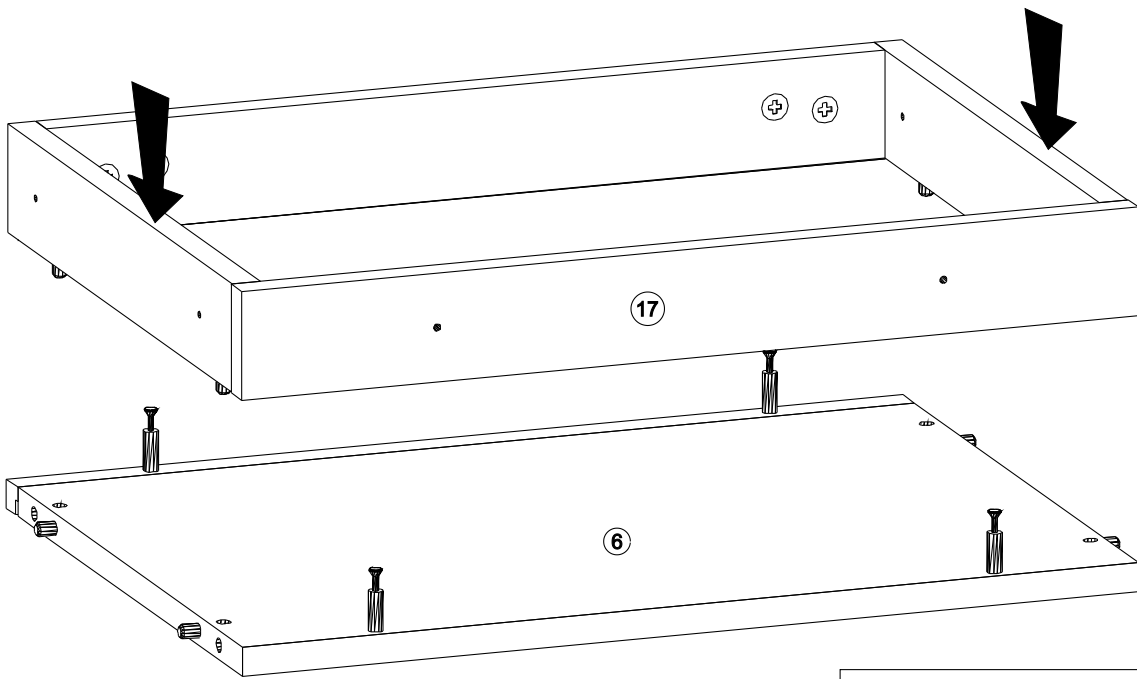
5



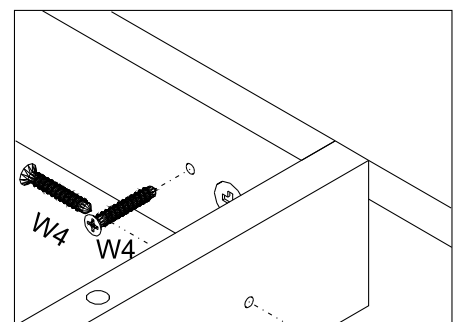
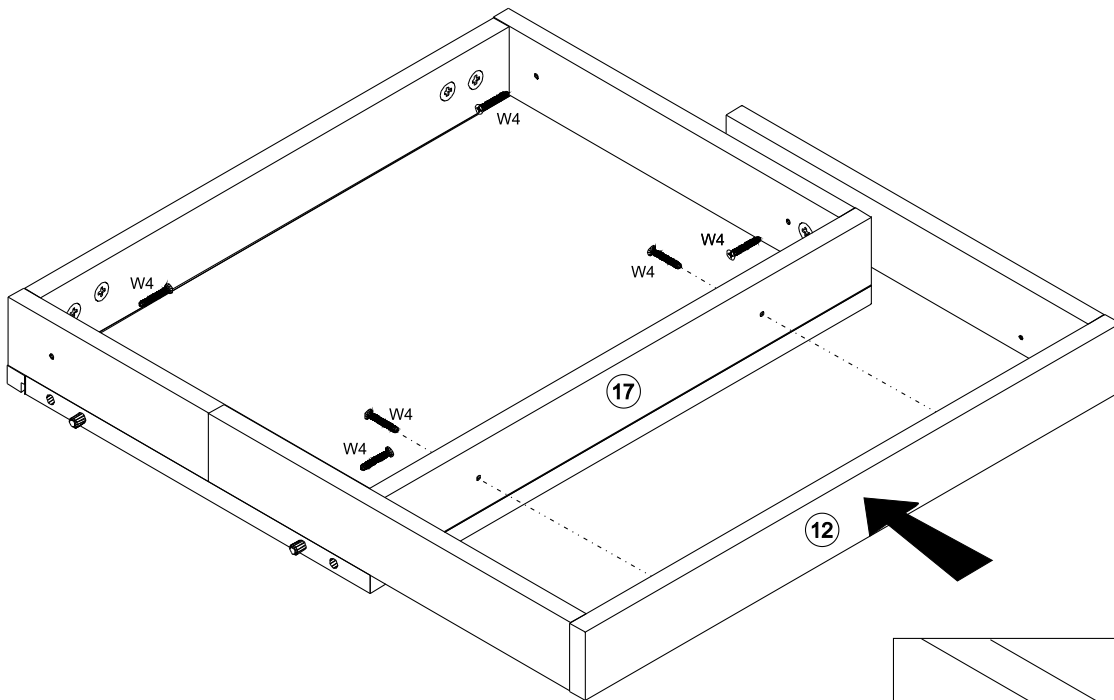
6



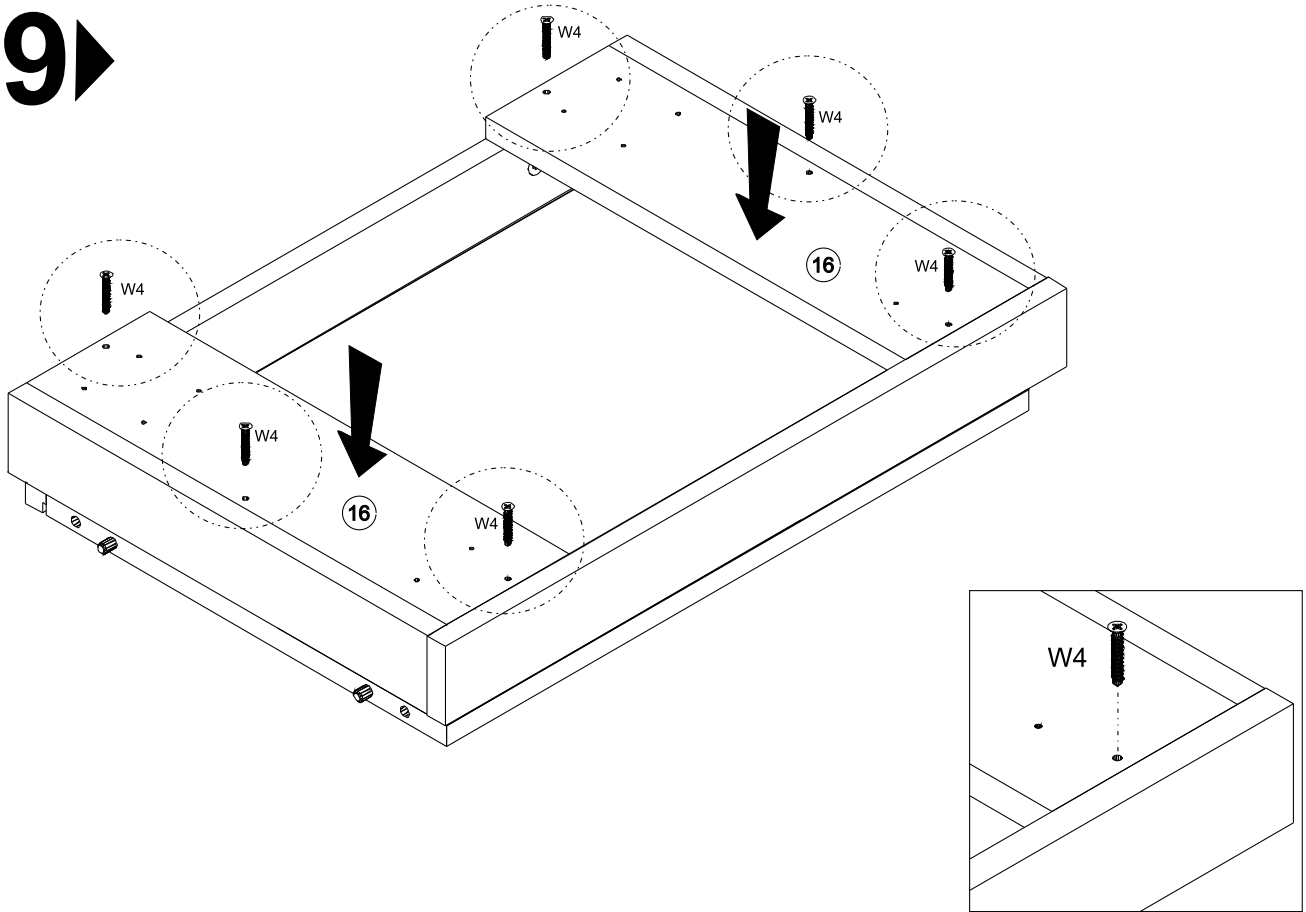
7



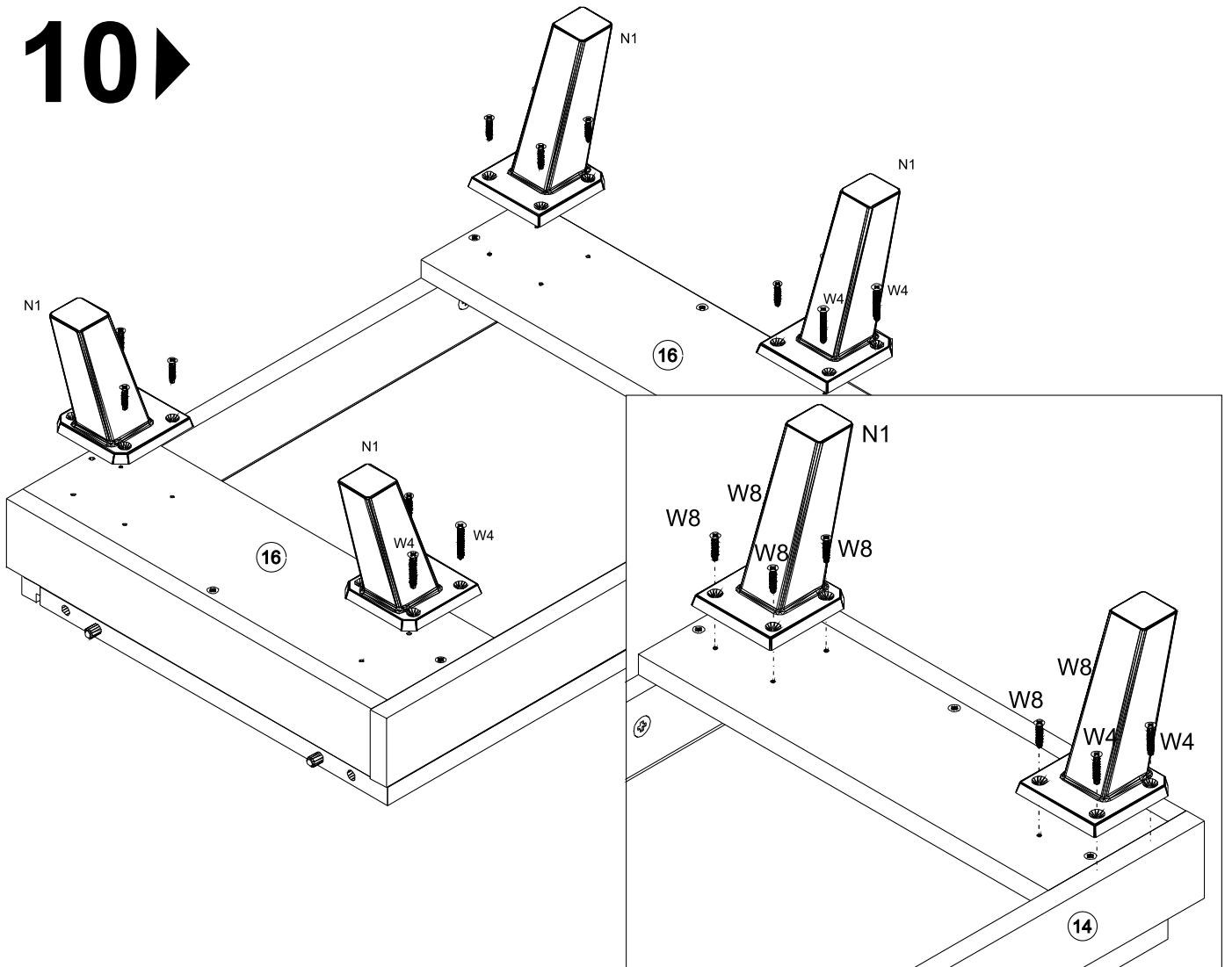
8



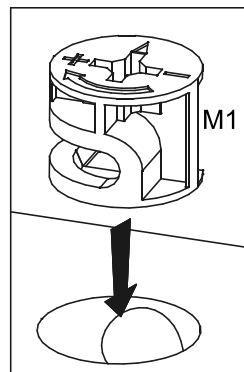
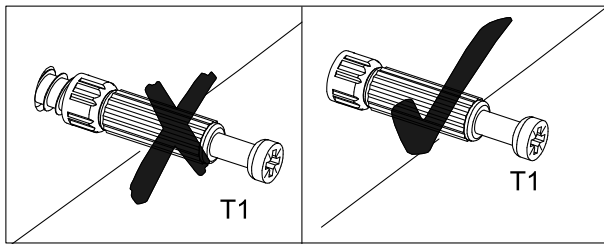
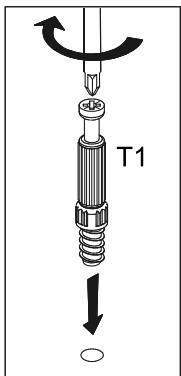
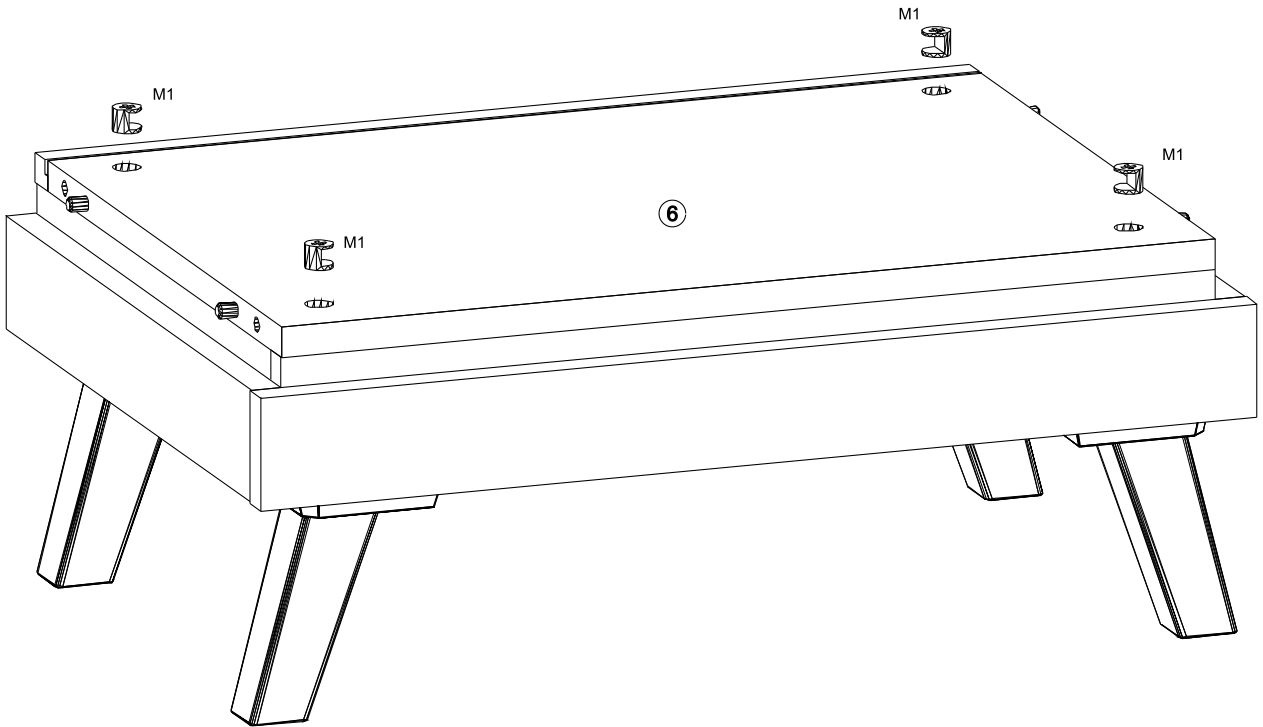
9 ▶



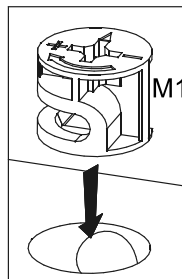
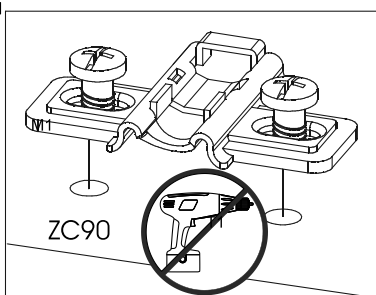
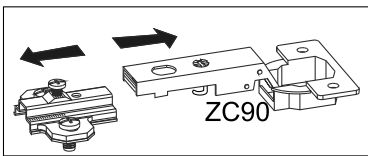
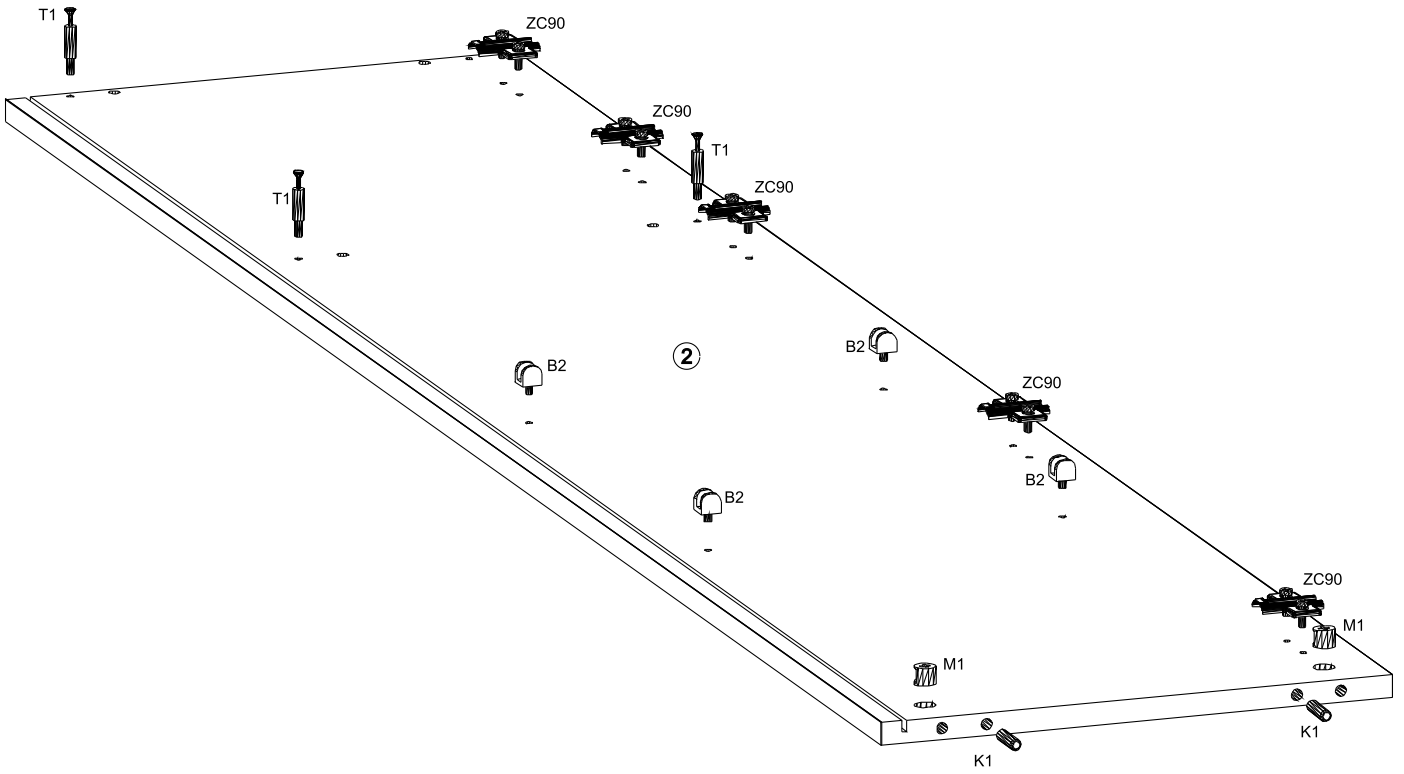
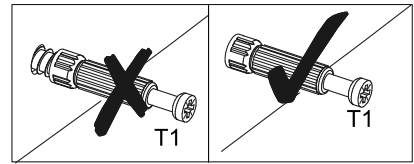
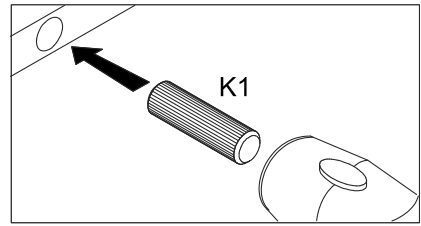
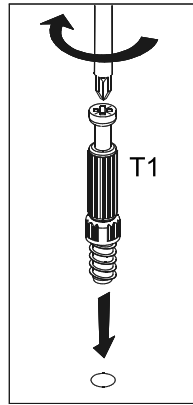
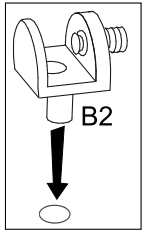
10 ▶



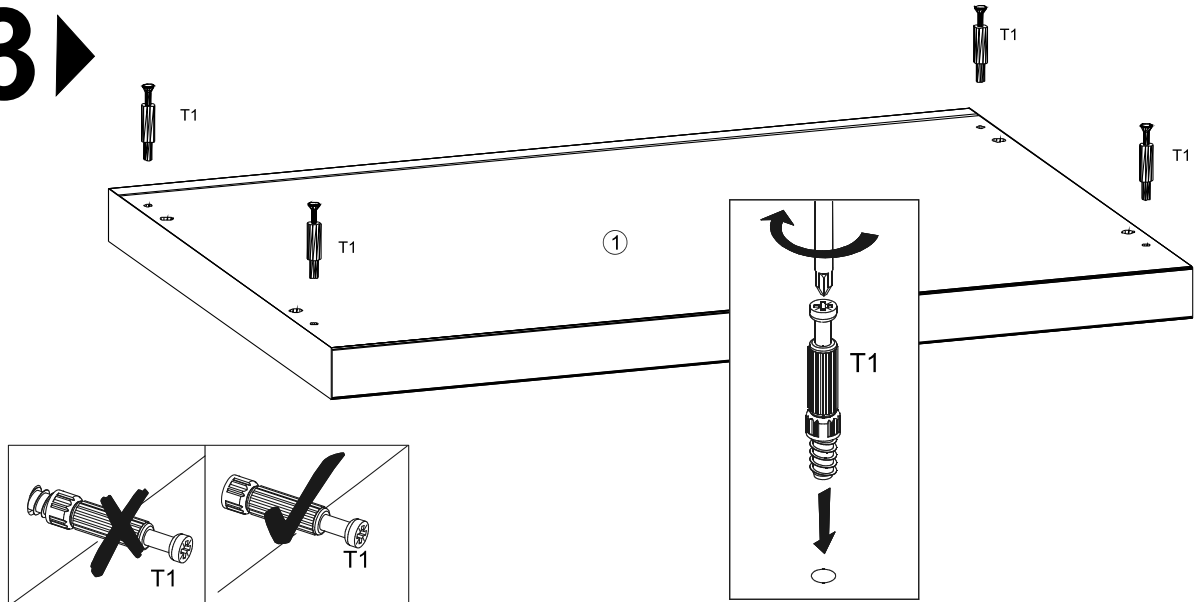
11 ▶



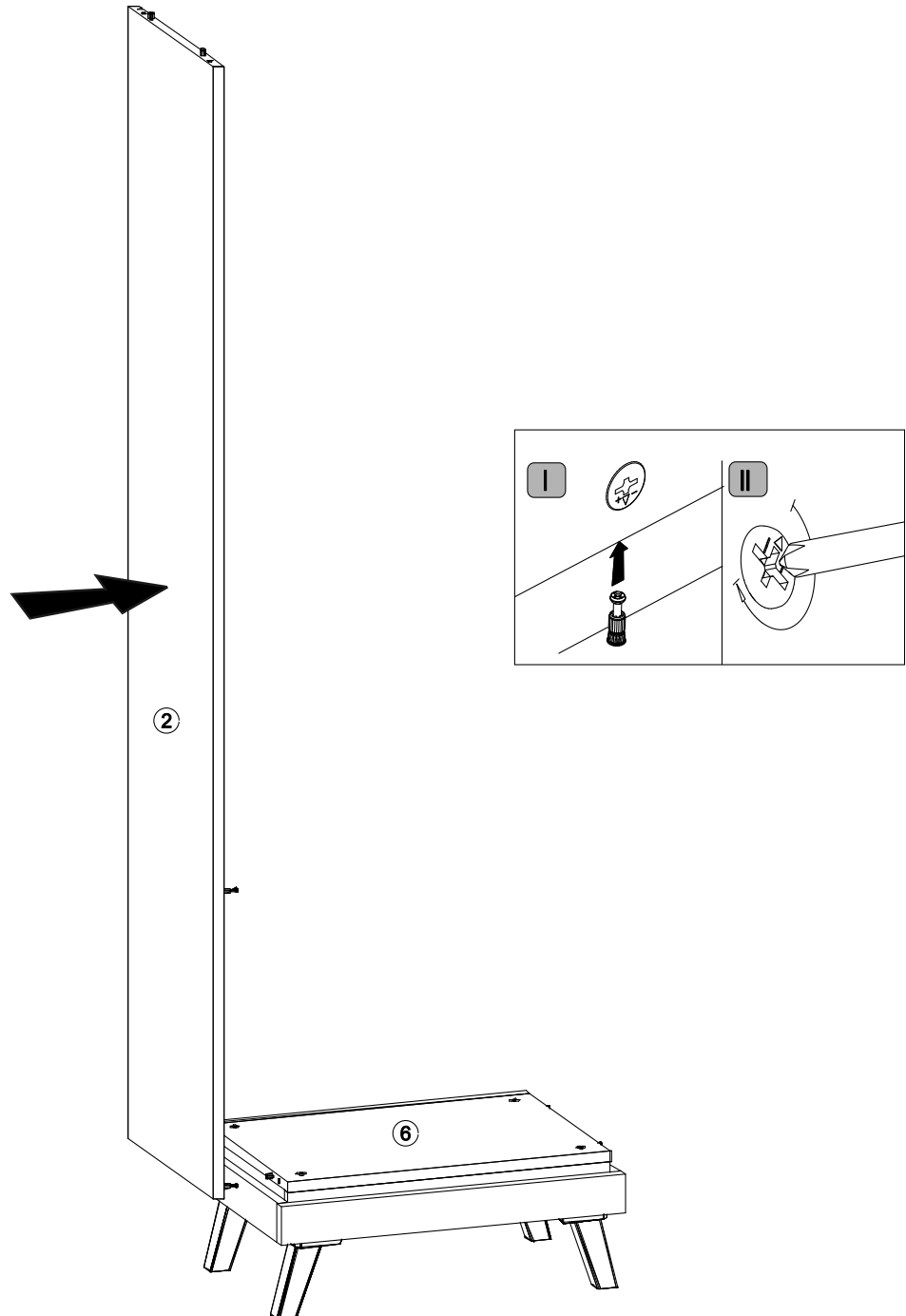
12 ▶



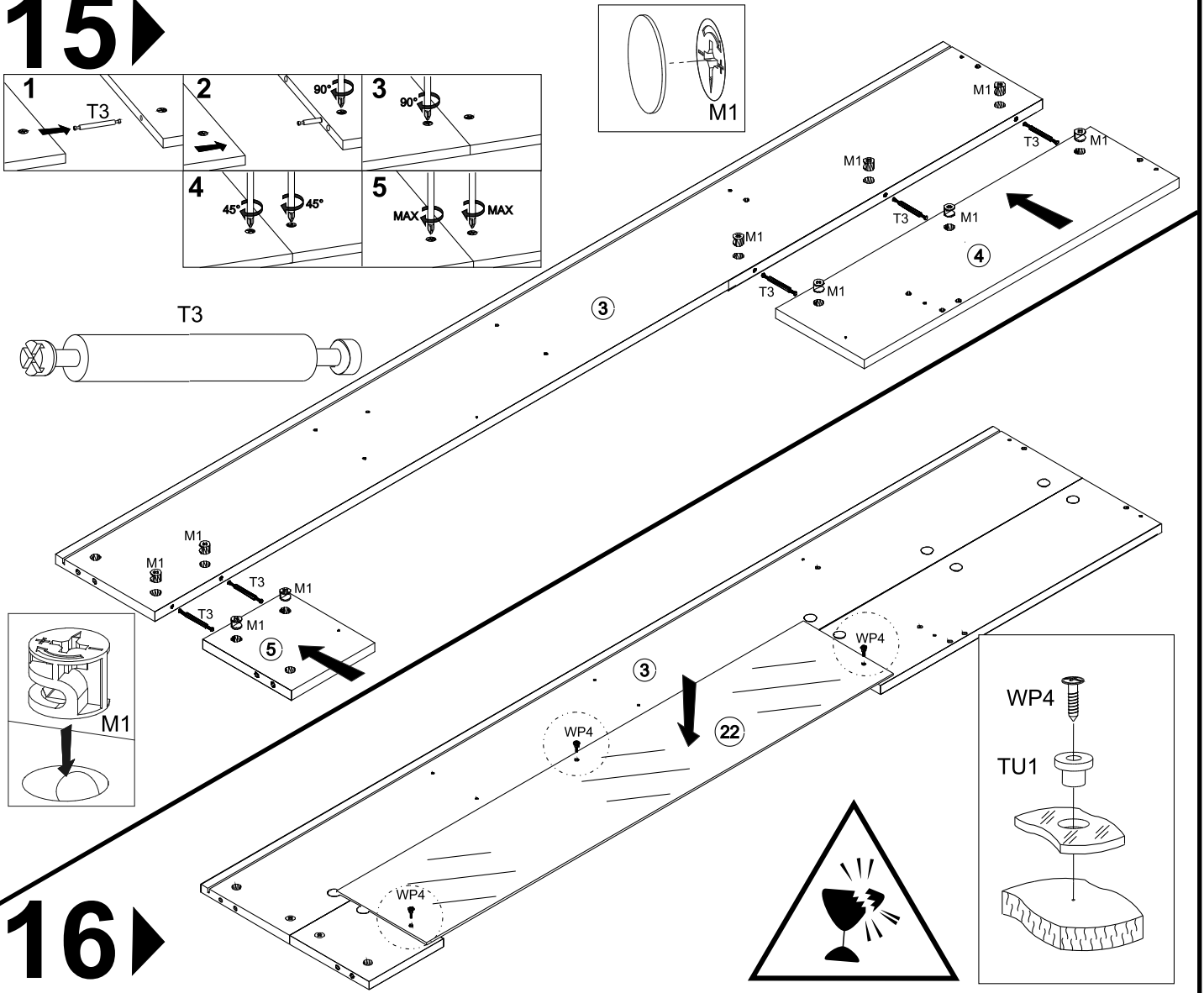
13 ▶



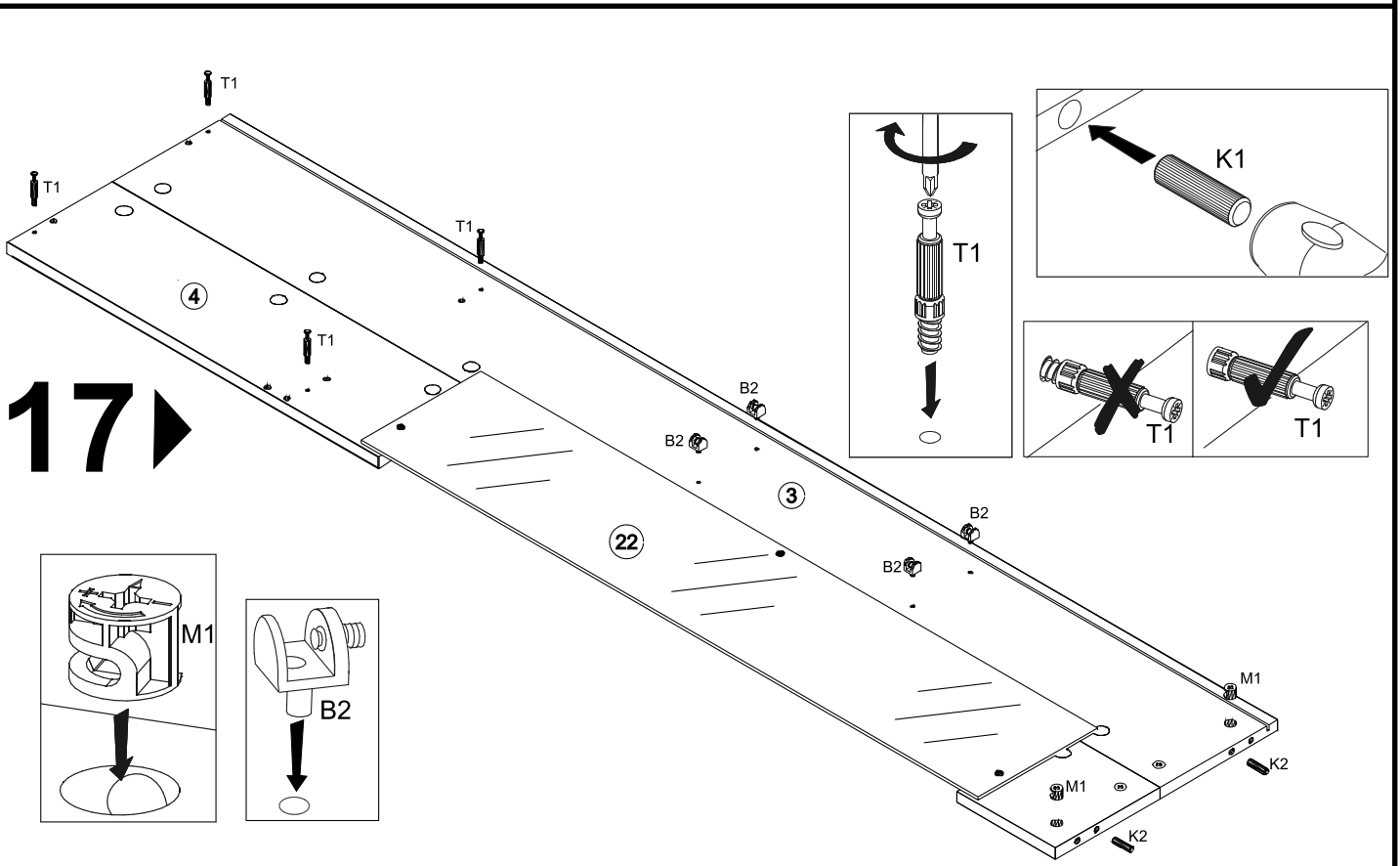
14 ▶



15 ▶

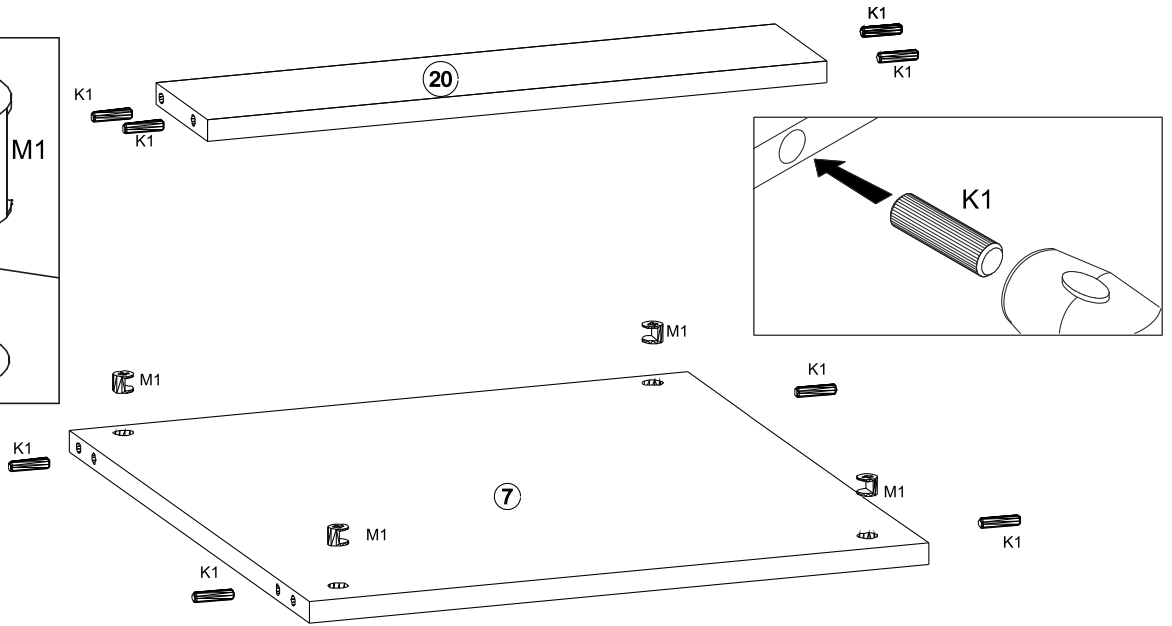
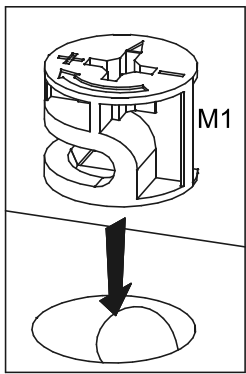


16 ▶

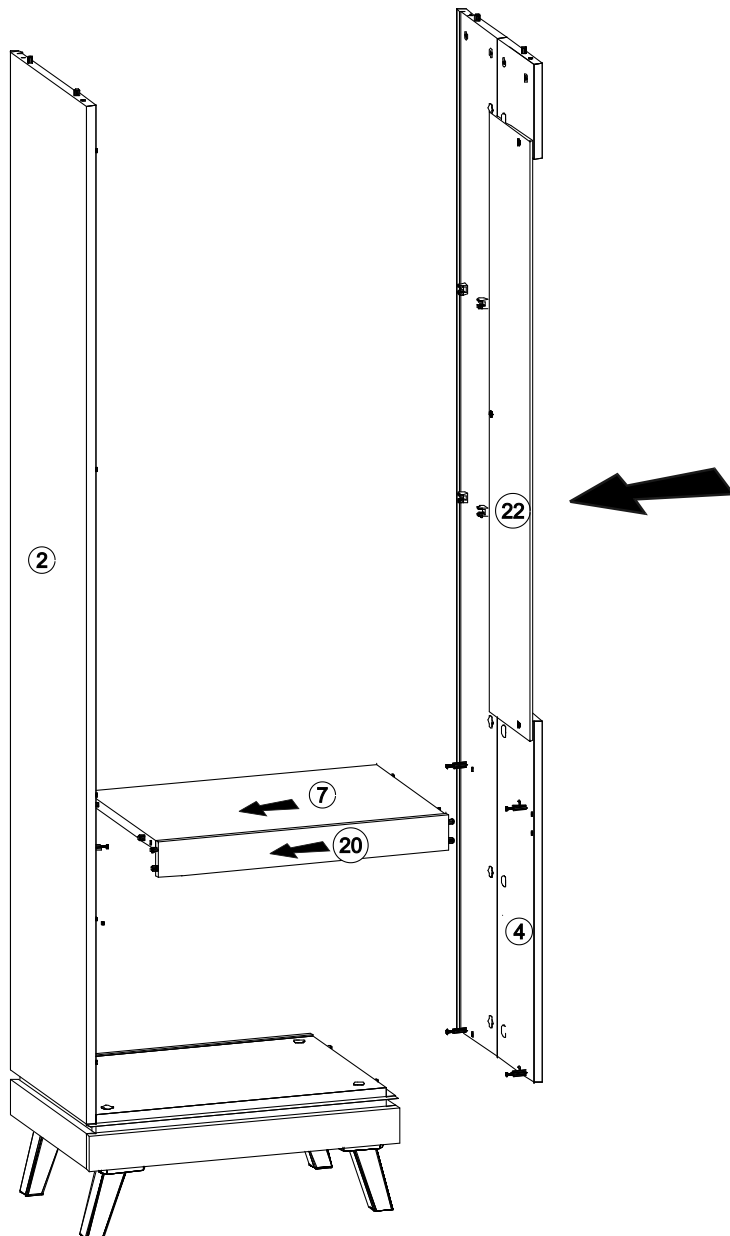
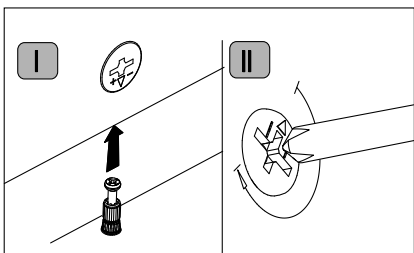


17 ▶

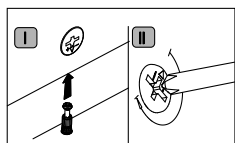
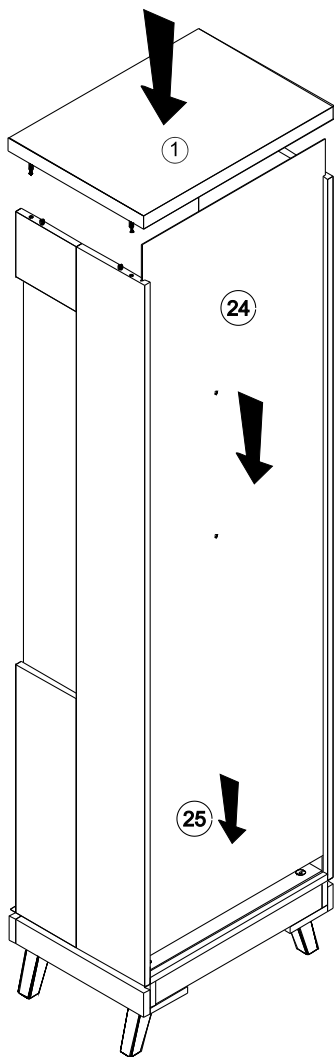
18 ▶



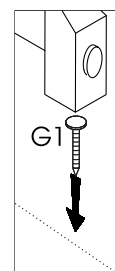
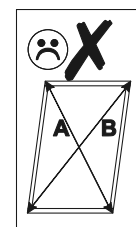
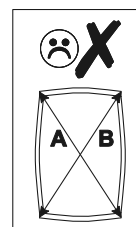
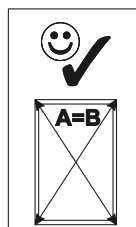
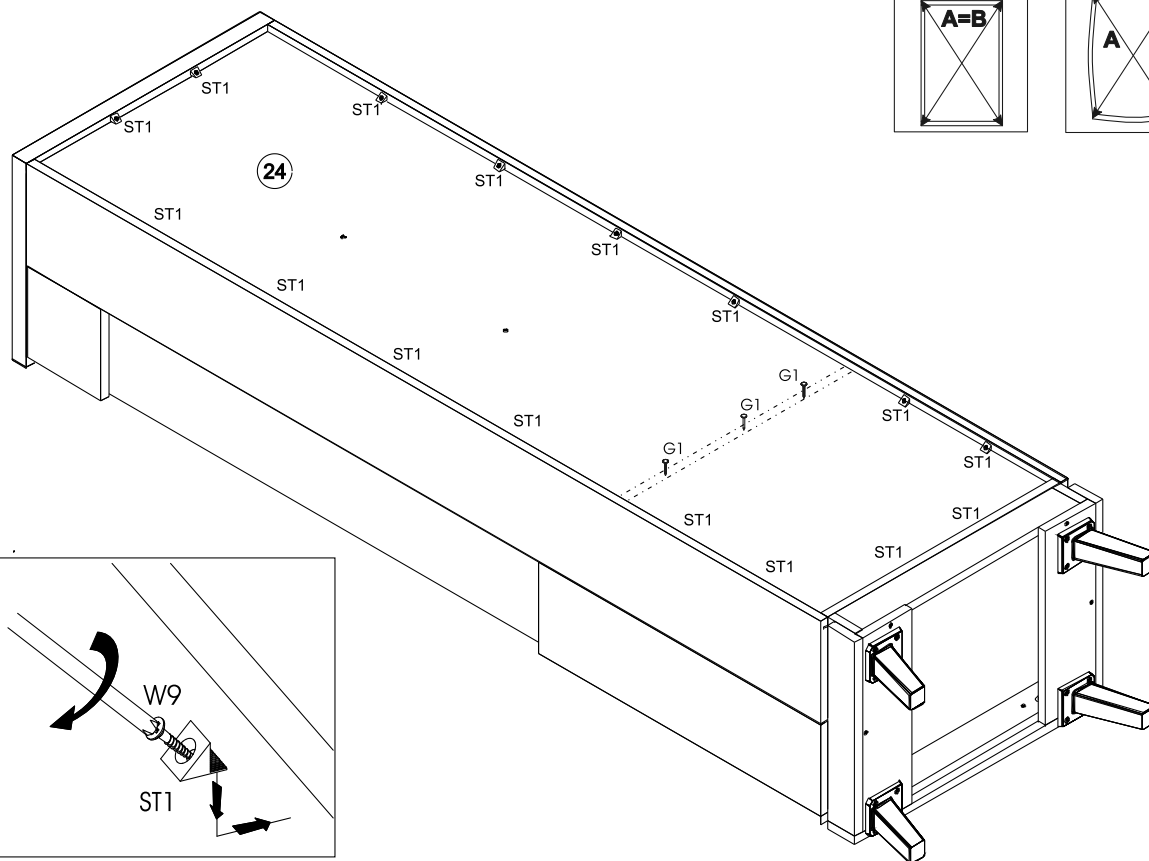
19 ▶



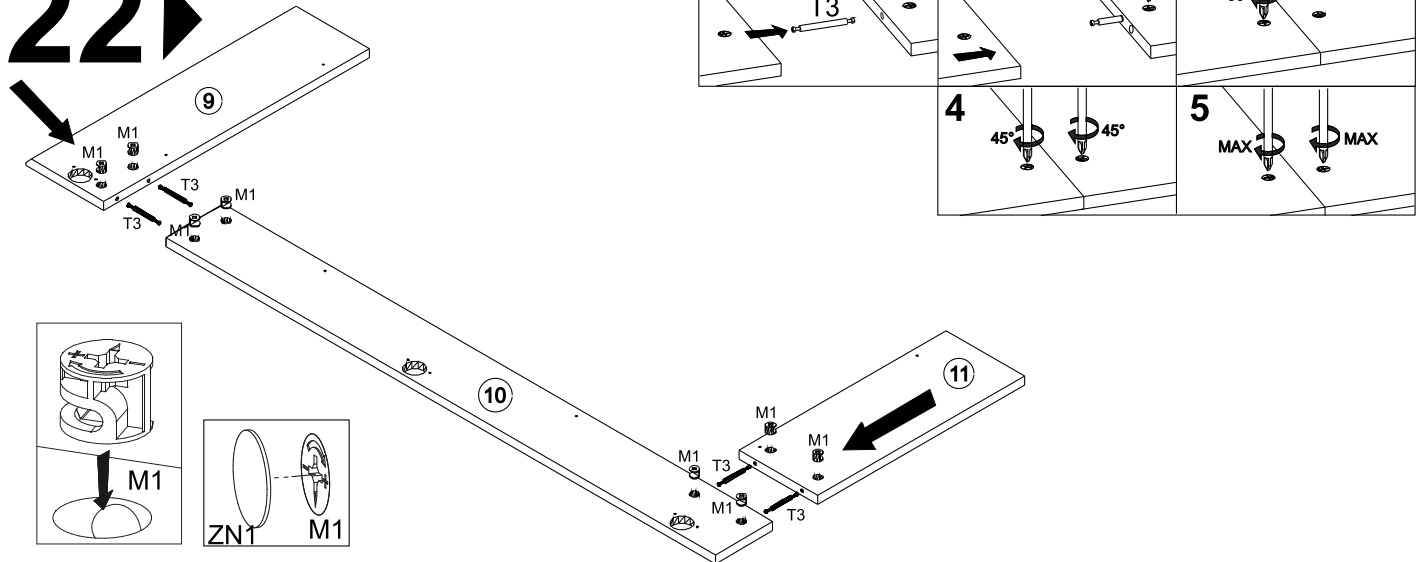
20 ▶



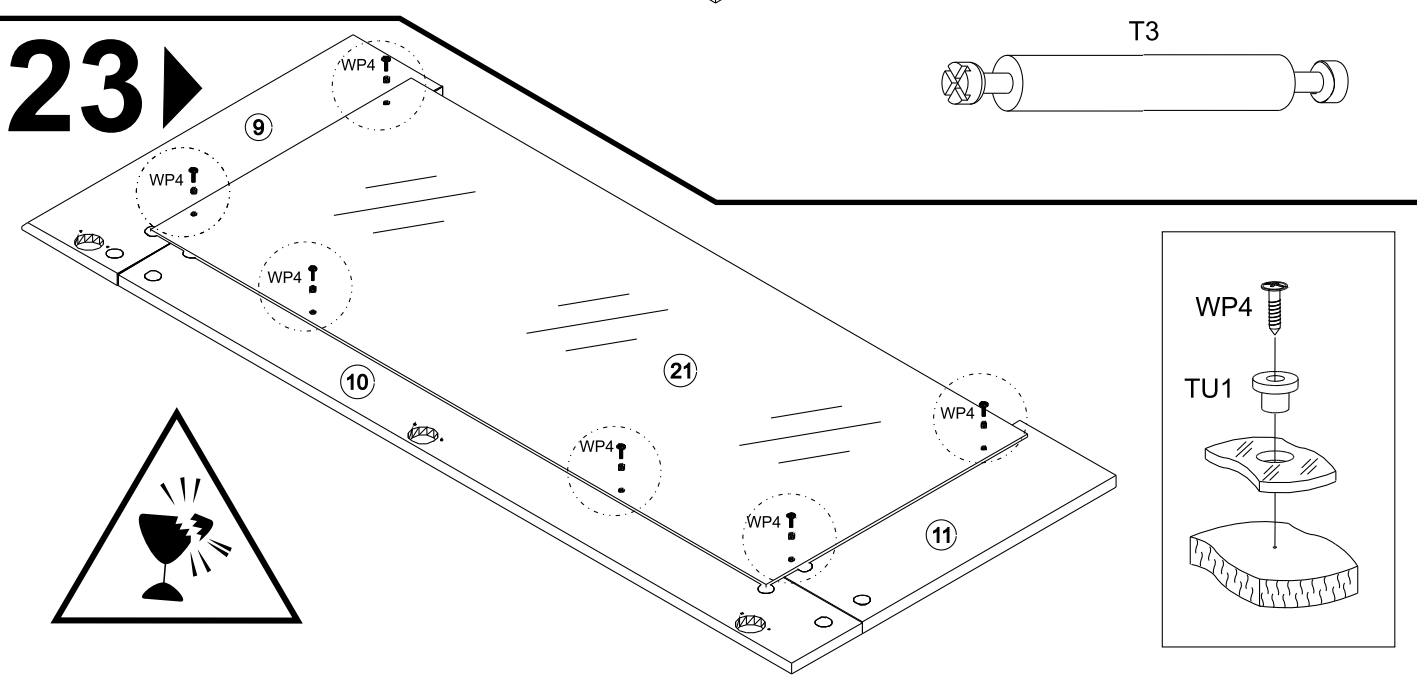
21 ▶



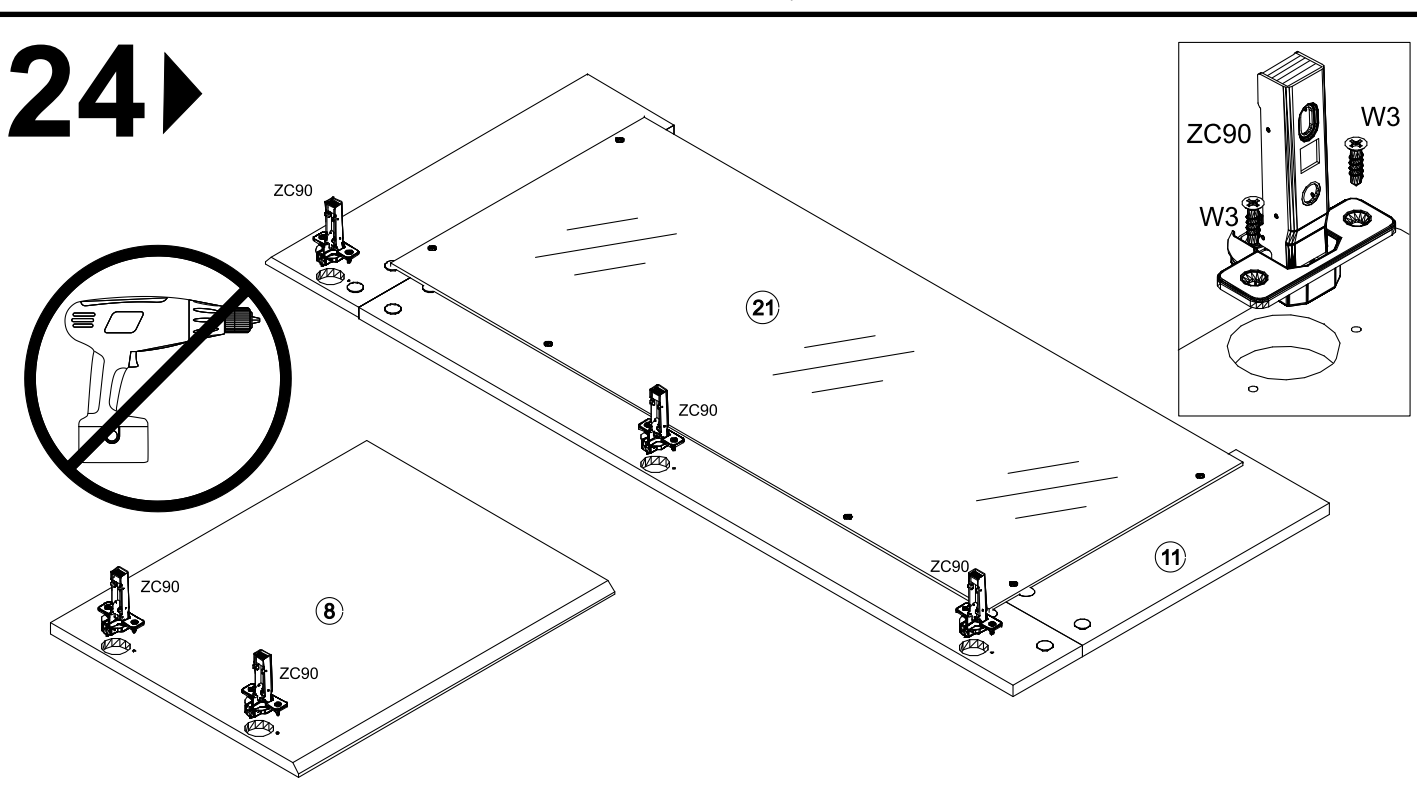
22 ▶



23 ▶



24 ▶



25 ▶

