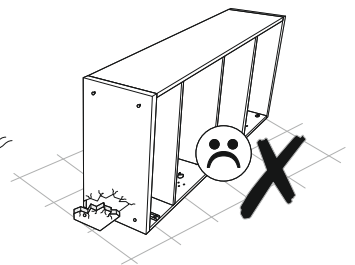
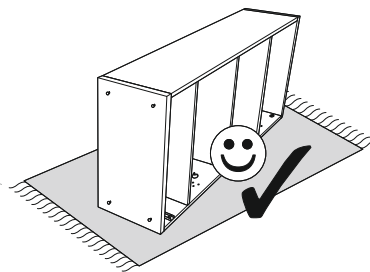
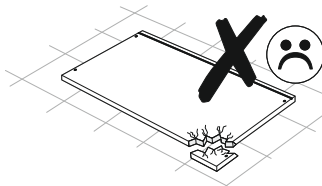
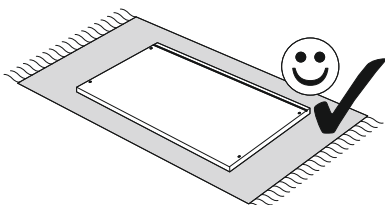
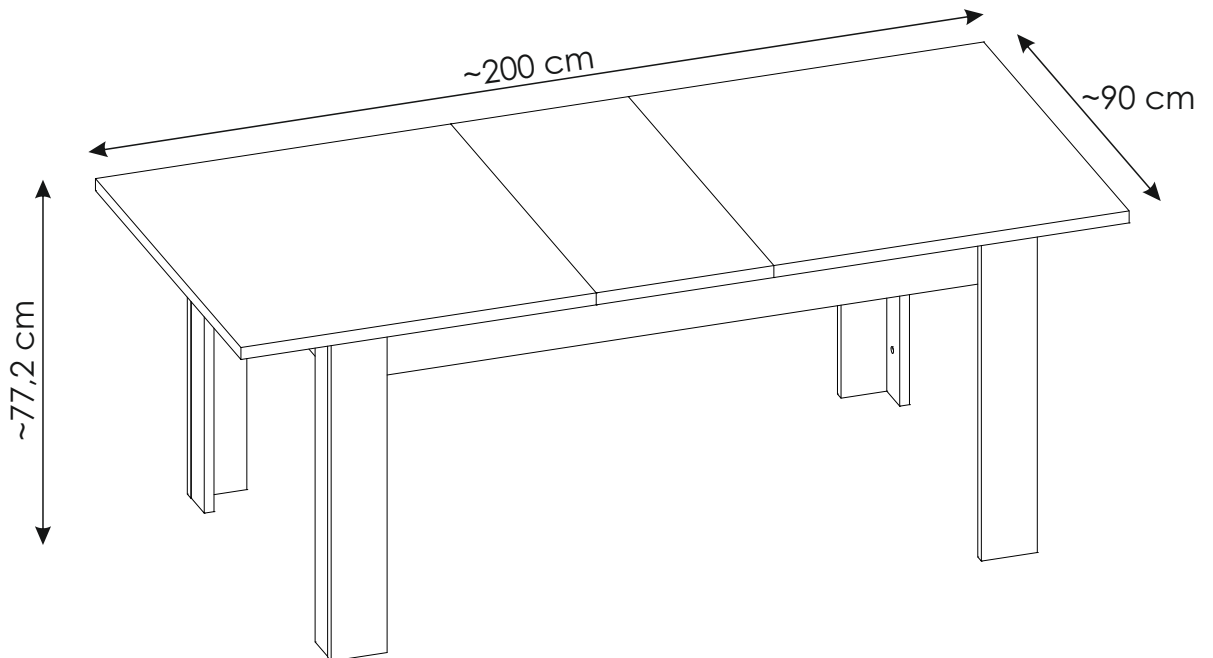
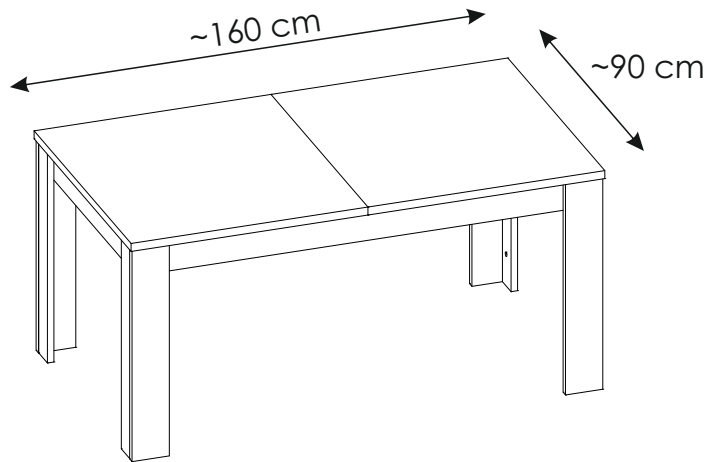
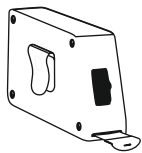
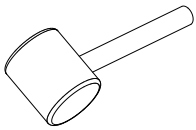
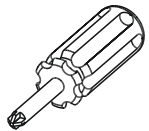
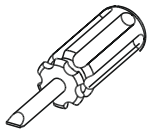
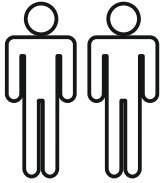
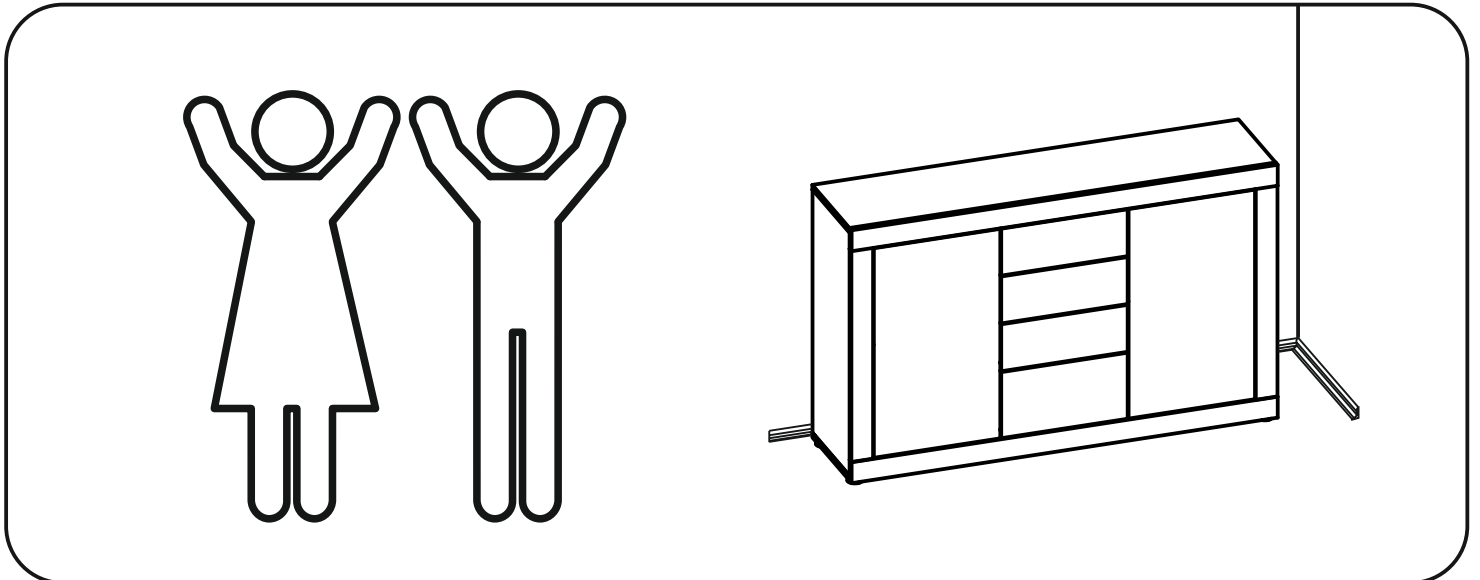
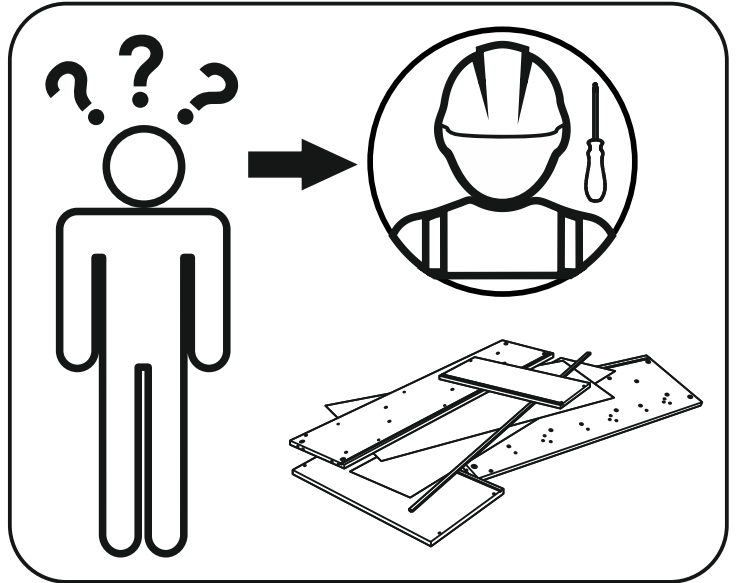
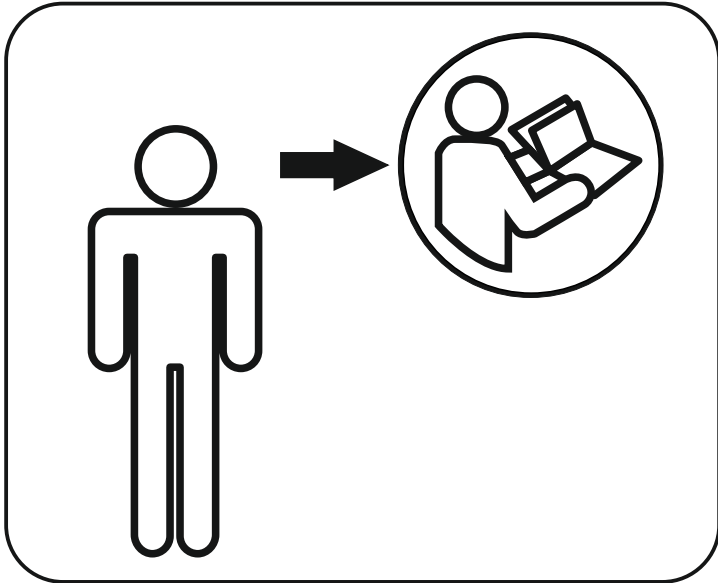
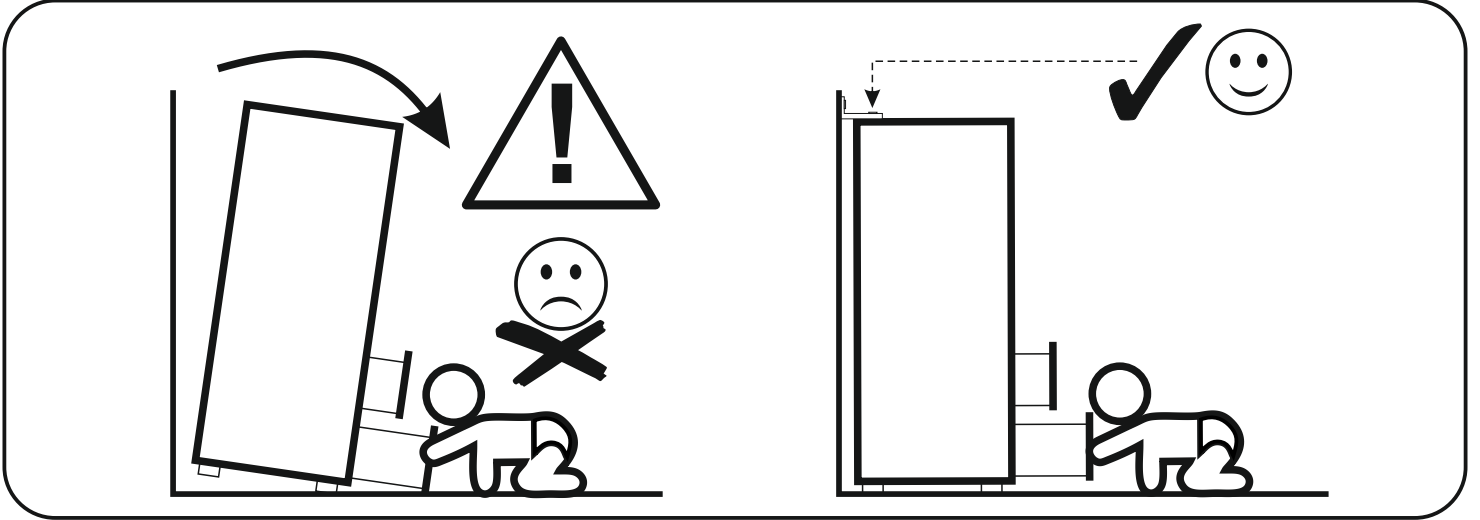
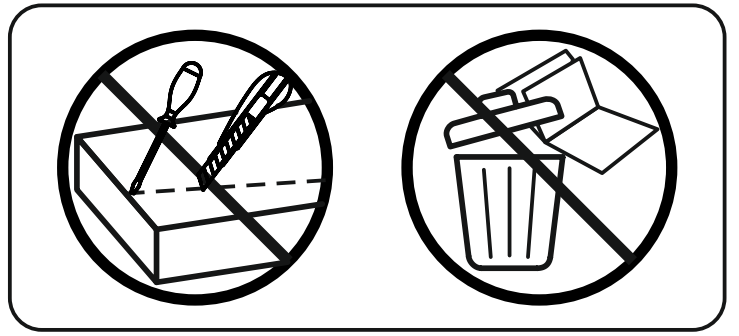
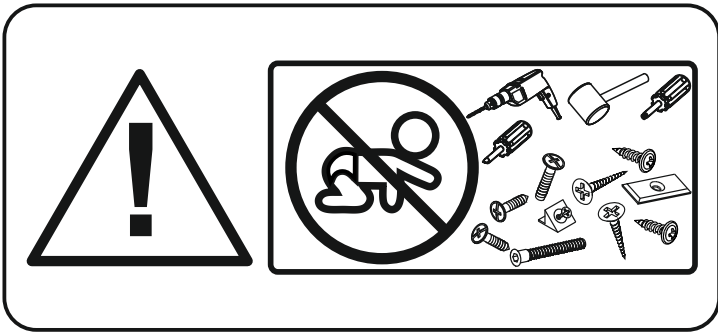
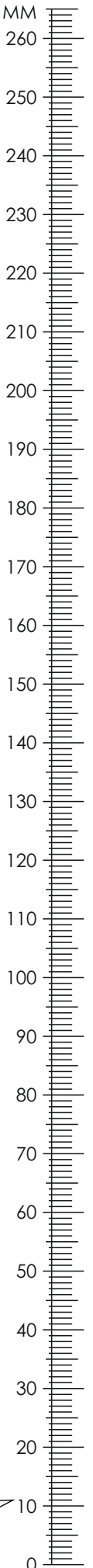


PEZT02

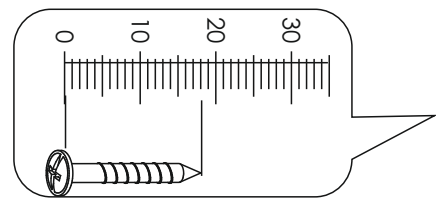




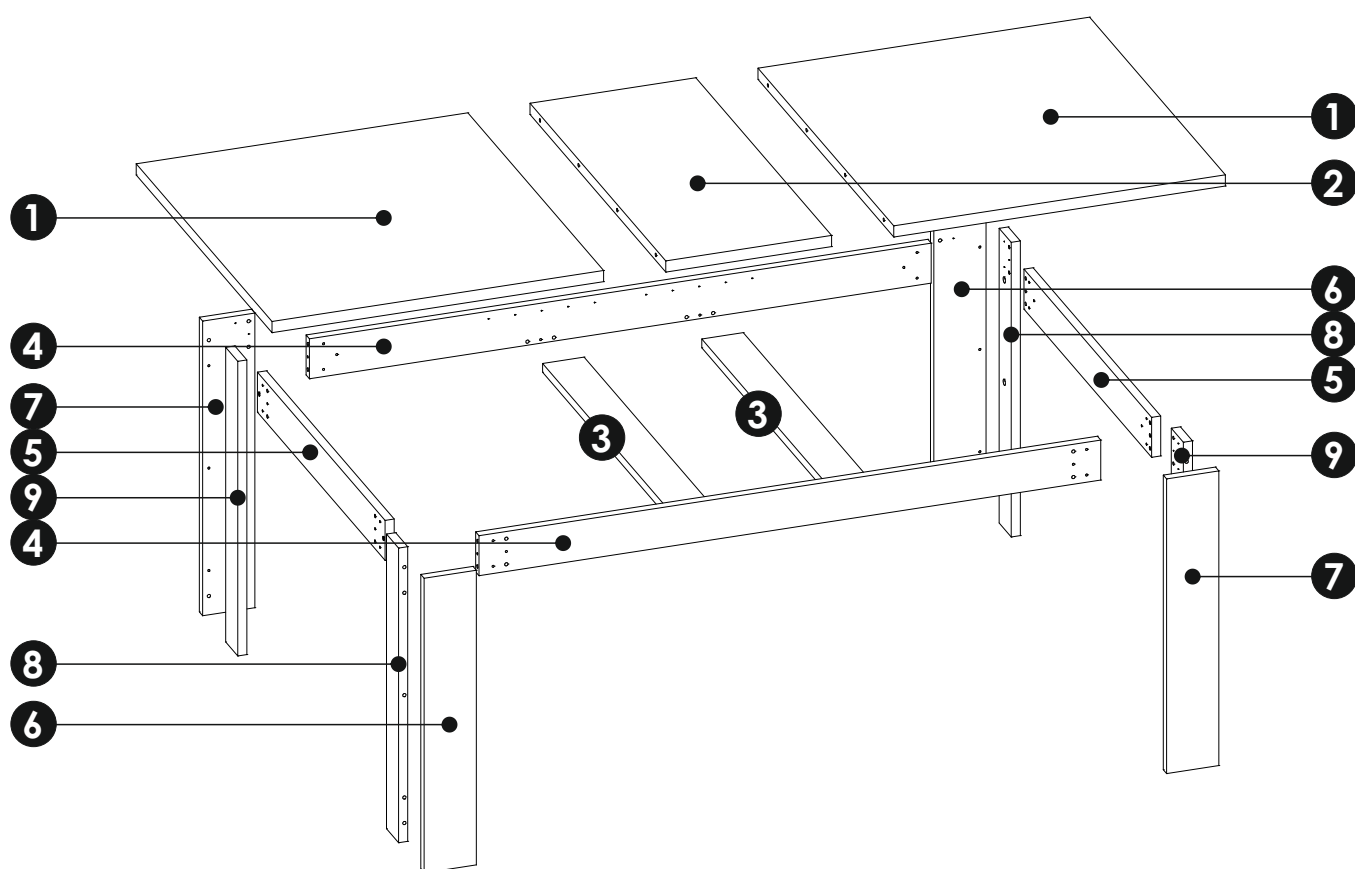
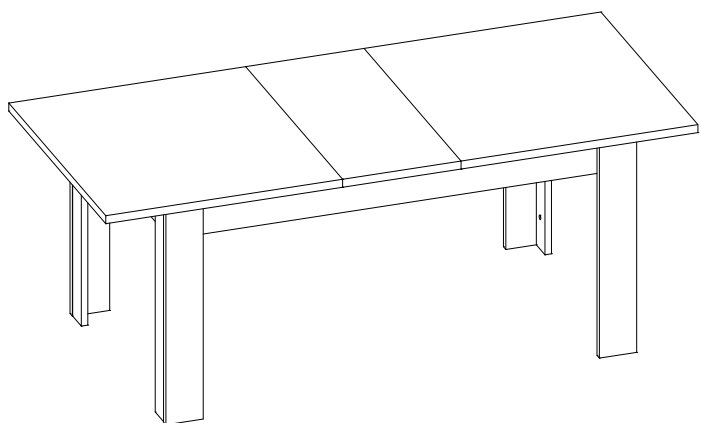
PEZT02



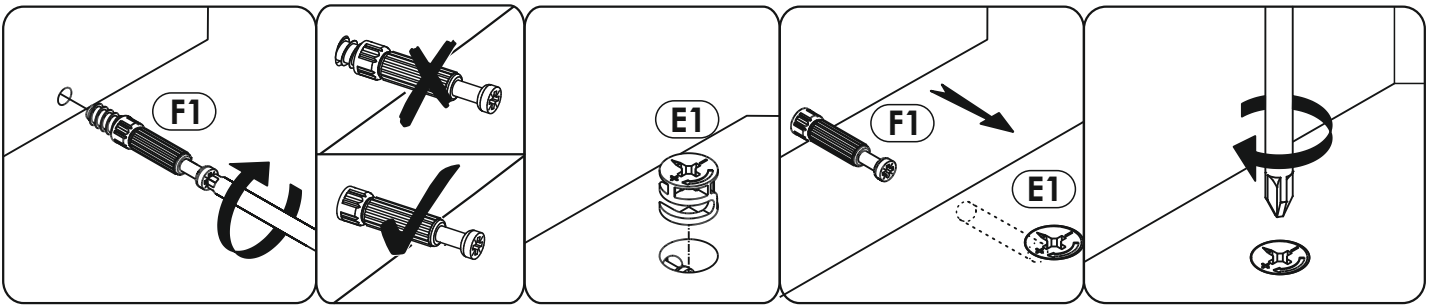
A6	8 x 24 mm	x16	A1	8 x 35 mm	x24	E0	∅16	x16
E1	15 x 12 mm	x16	F1	6 x 34 mm	x16	G2	7 x 60 mm	x4
I9	4 x 20 mm	x20	I15	4 x 40 mm	x24	M		x1
N5	3,5 x 16 mm	x20	O2		x8	O2A	∅20	x4
R8		x8	T12	L - 700 mm	x2	S		x1



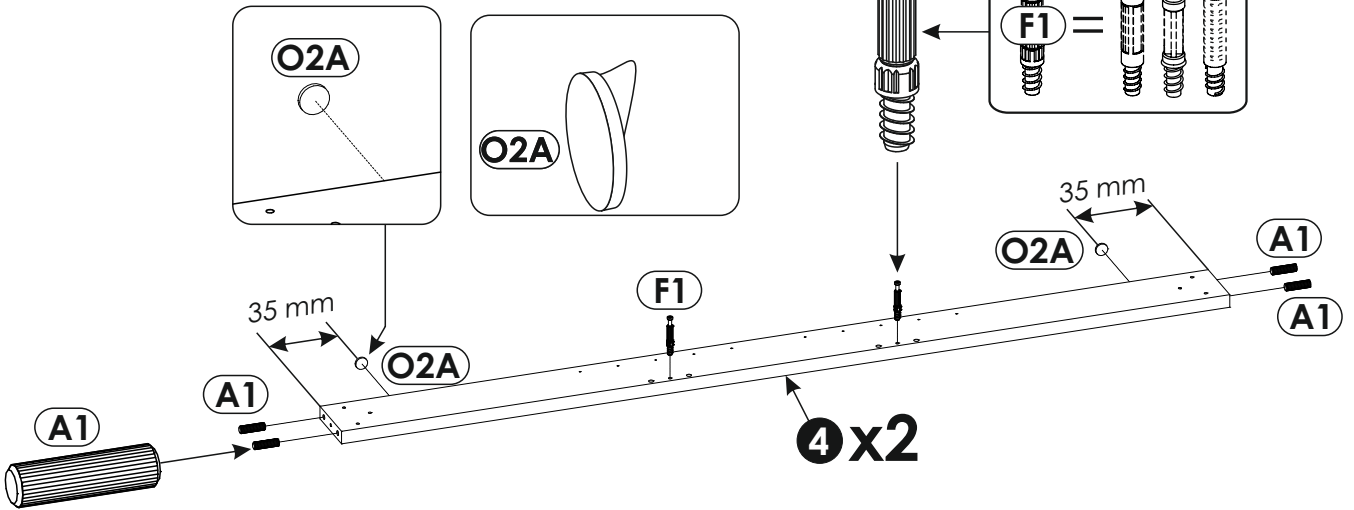
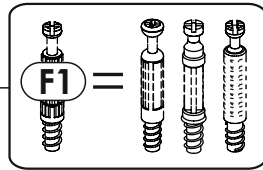
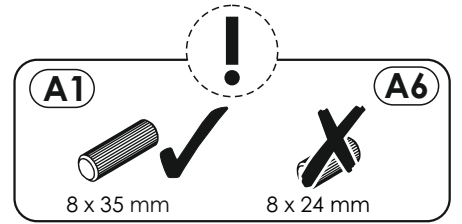
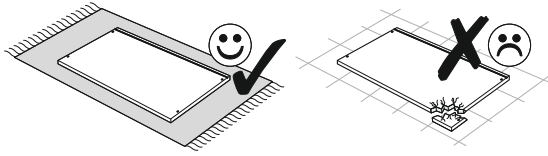
PEZT02



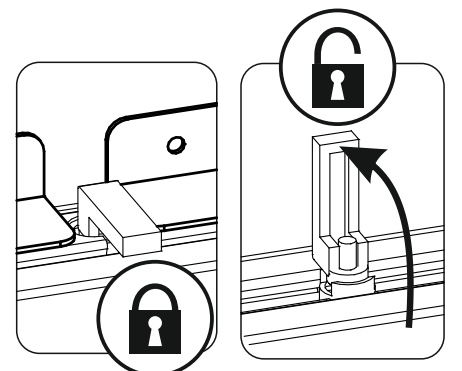
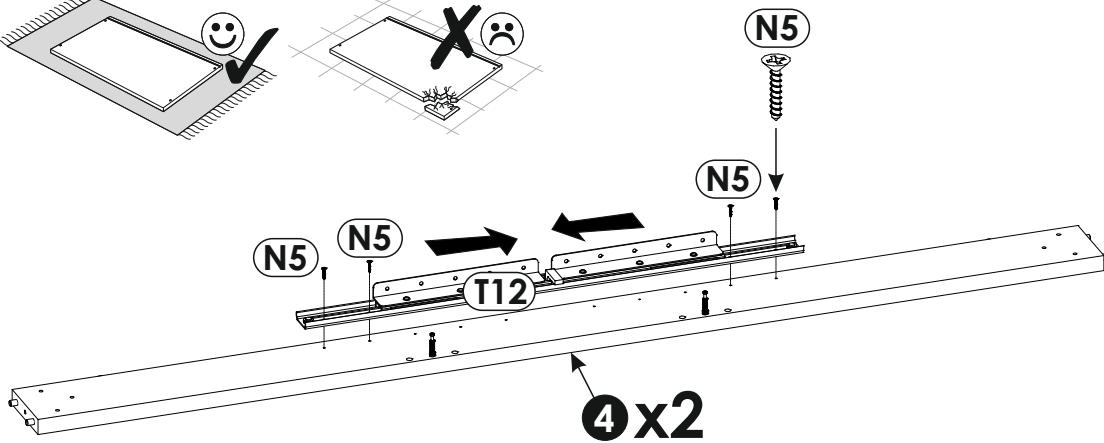
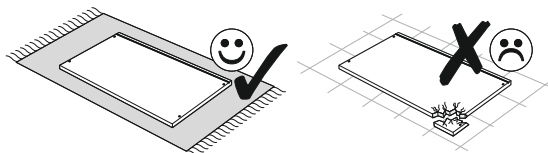
1	900	800	28	x2	2/2
2	900	400	28	x1	1/2
3	802	100	22	x2	1/2
4	1500	100	22	x2	1/2
5	846	100	22	x2	1/2
6	737	126	22	x2	1/2
7	737	126	22	x2	1/2
8	737	80	22	x2	1/2
9	737	80	22	x2	1/2

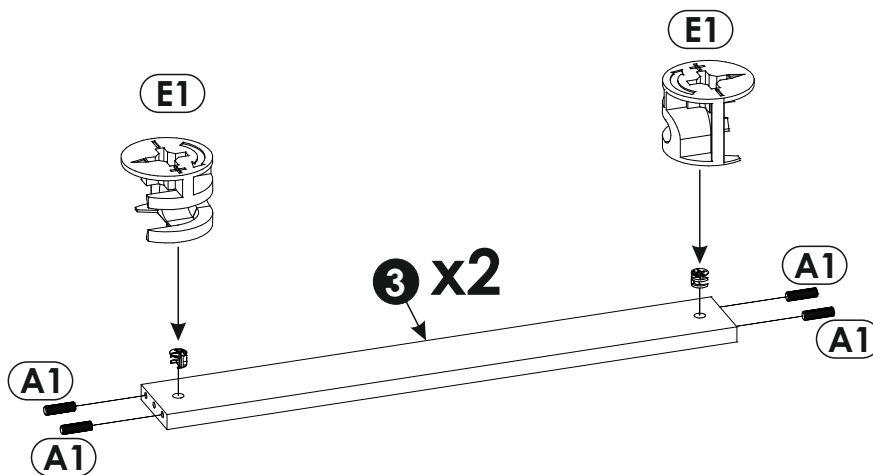
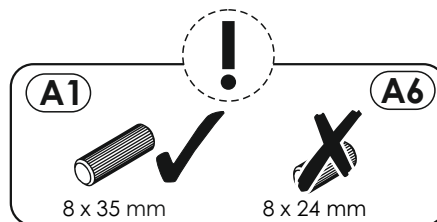
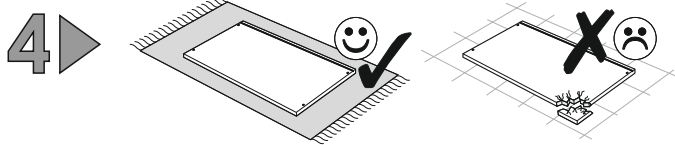
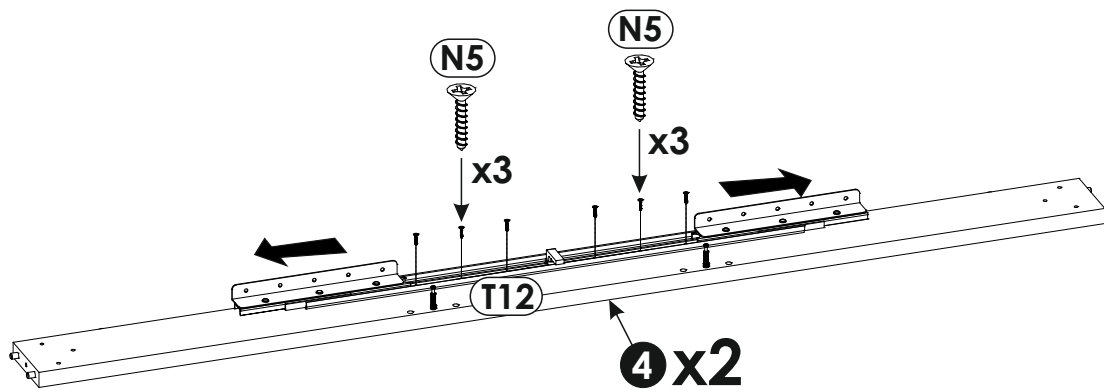
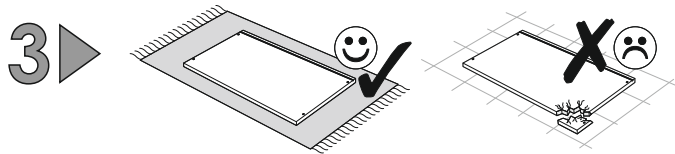


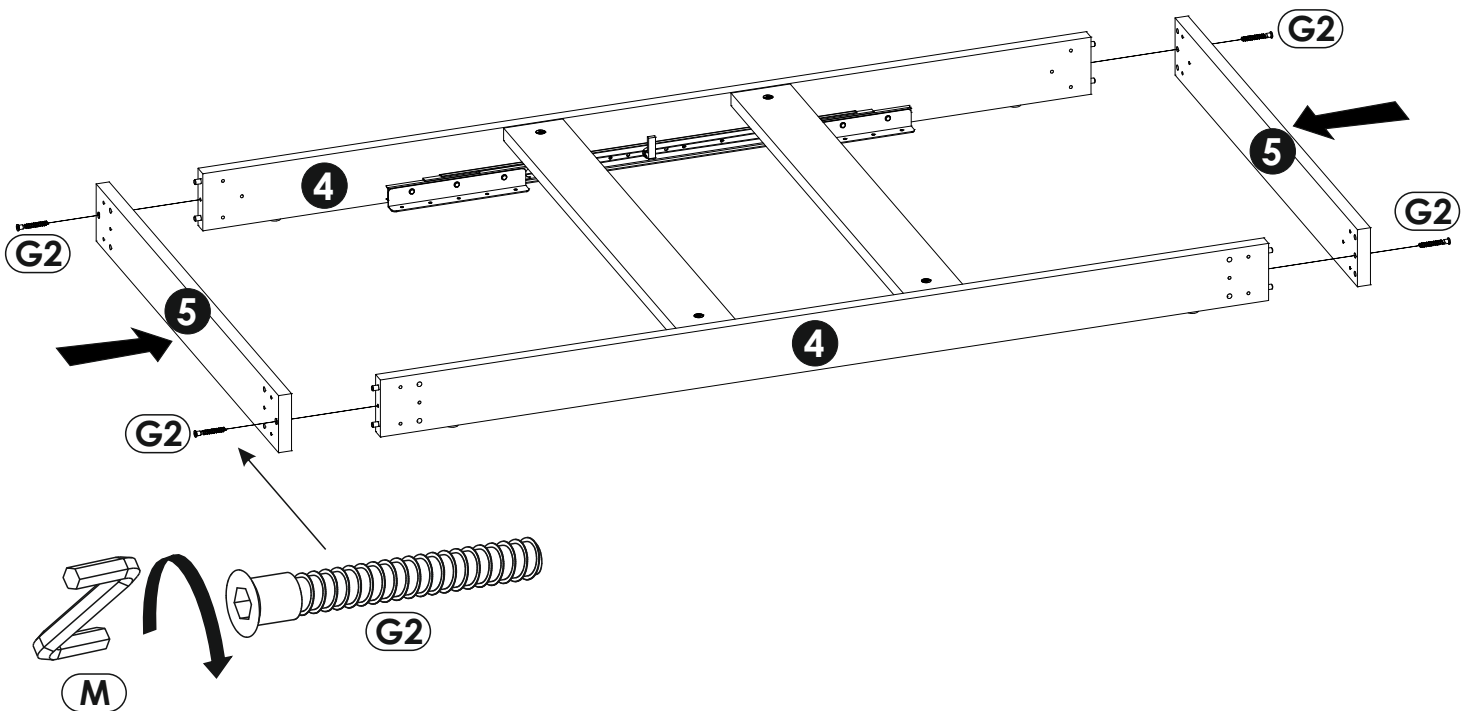
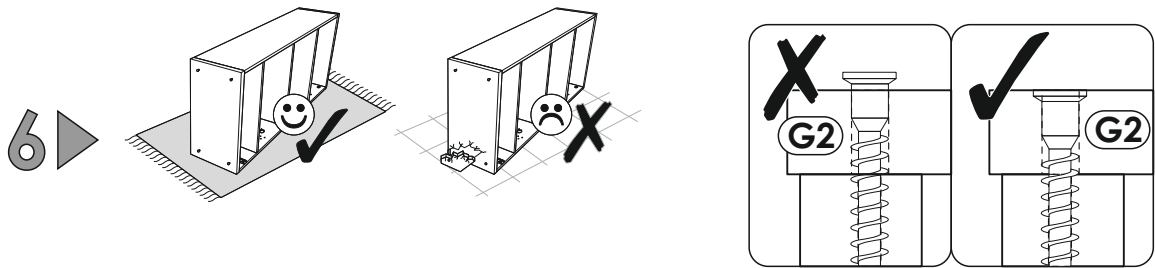
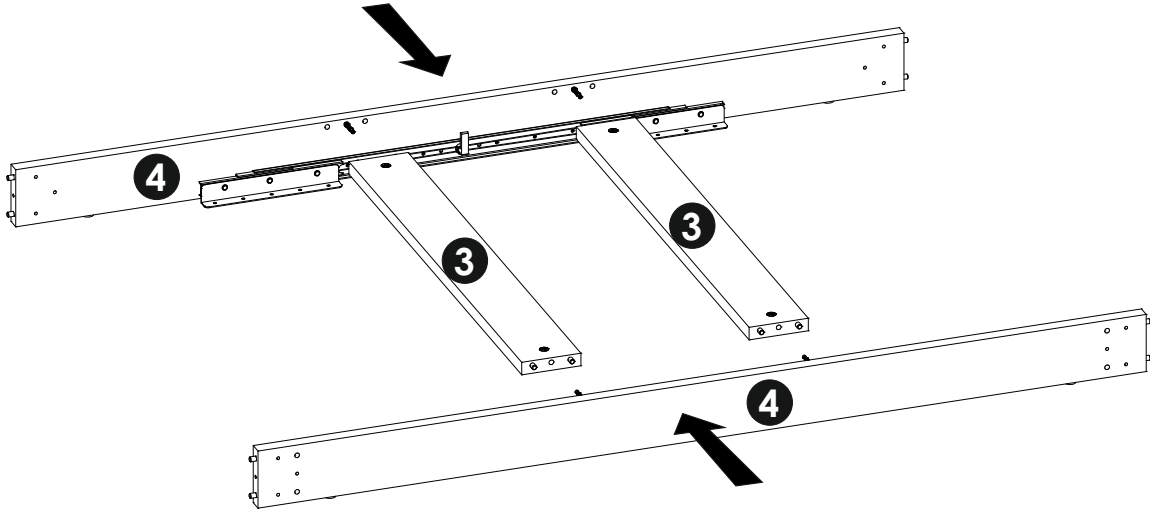
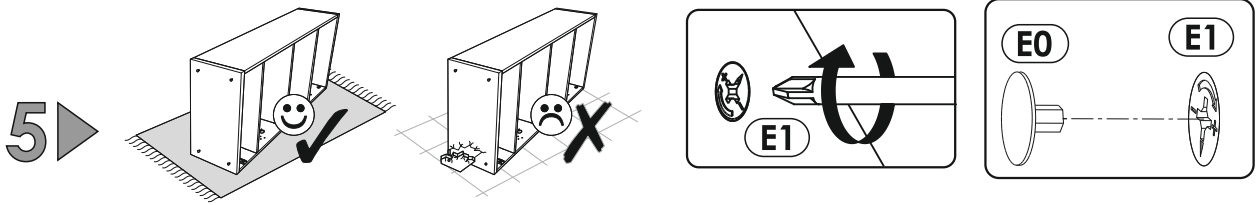
1 ▶



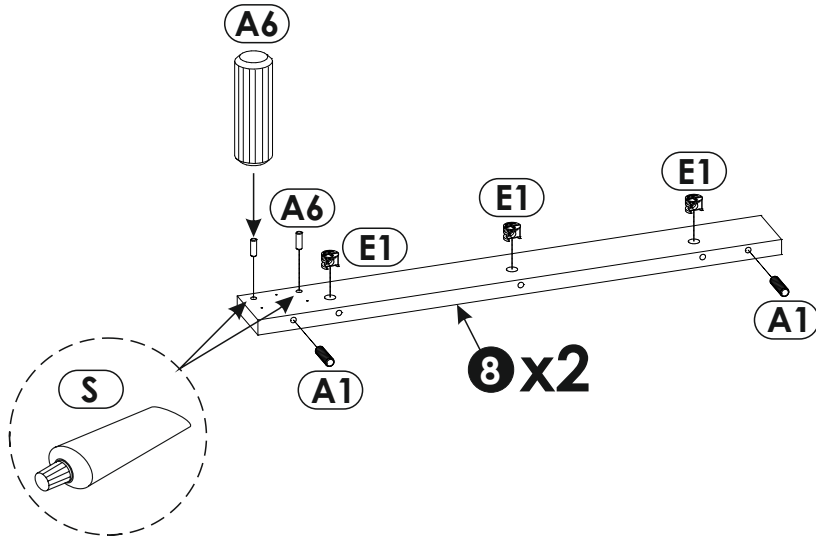
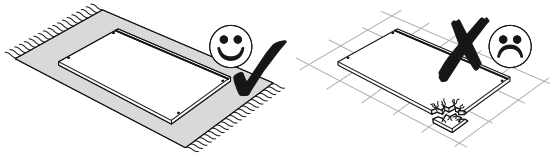
2 ▶



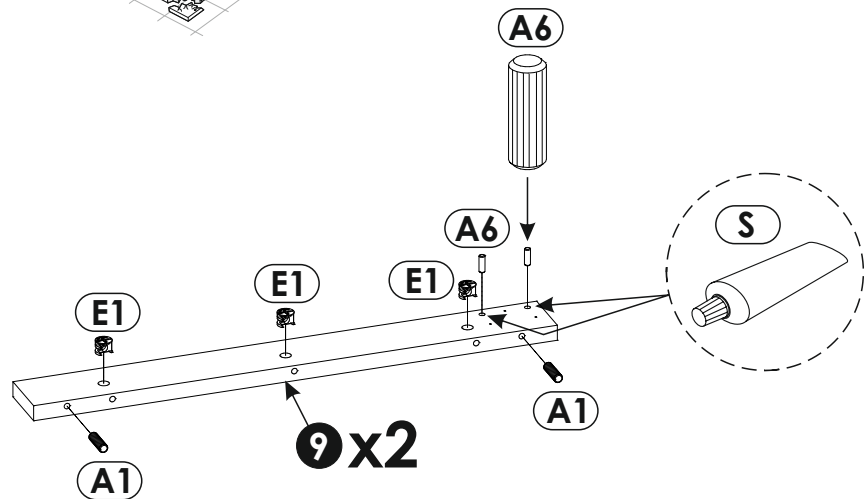
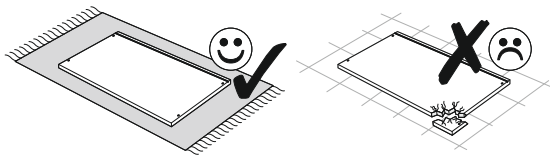


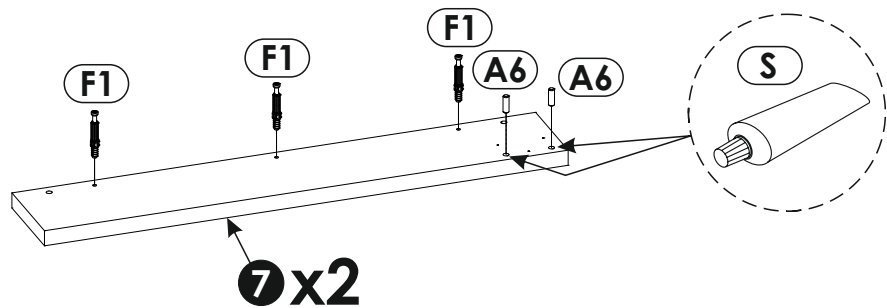
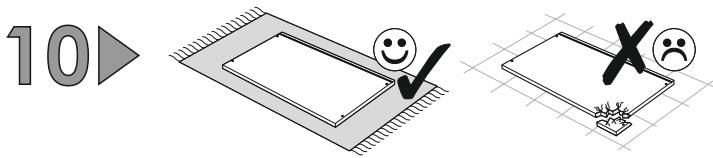
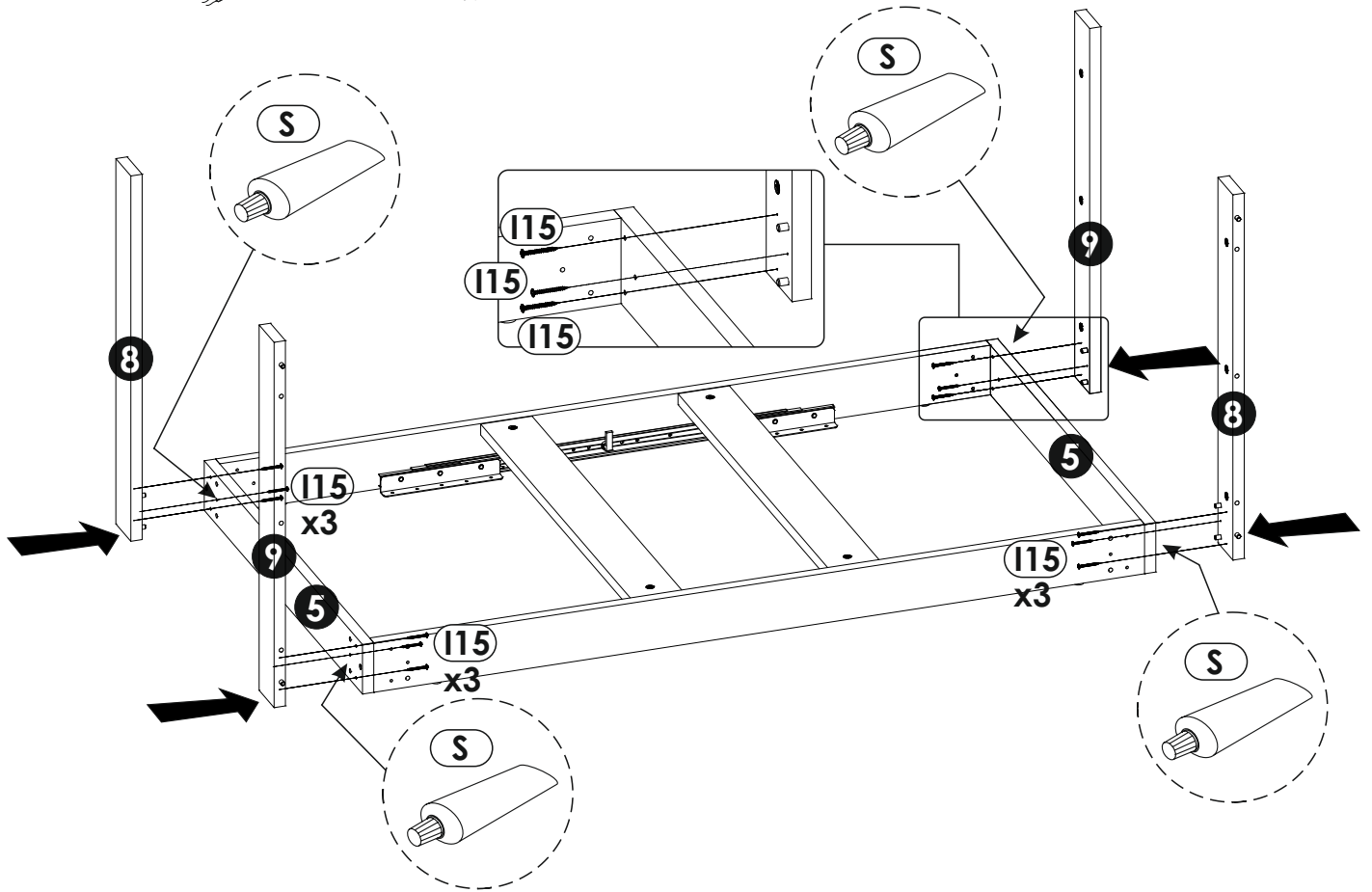
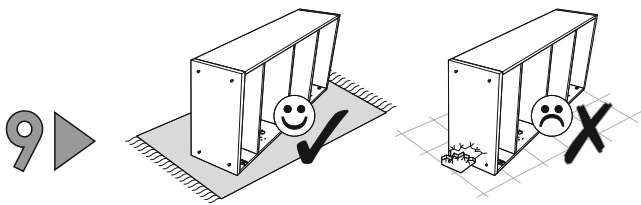


7 ▶

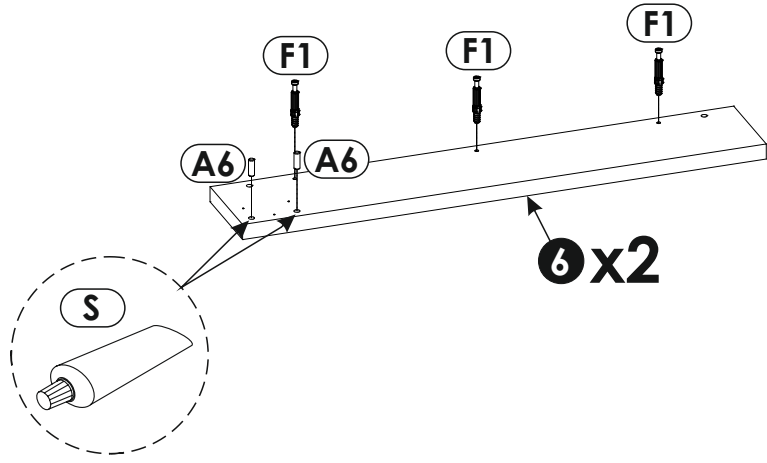
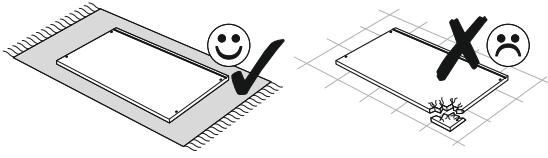


8 ▶

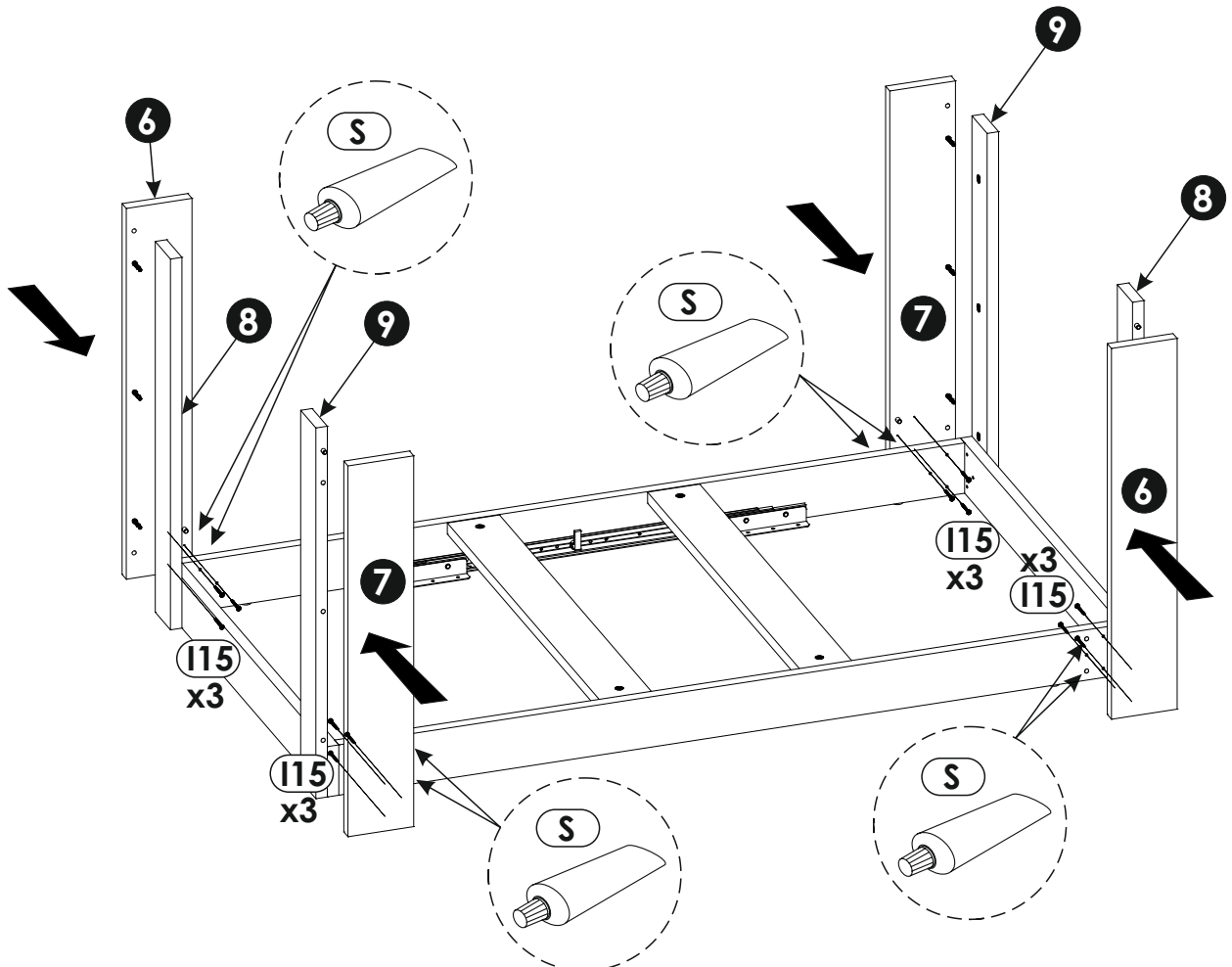
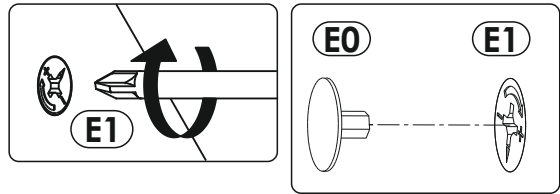
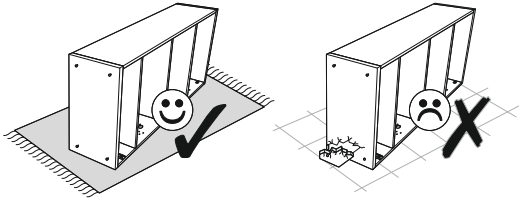




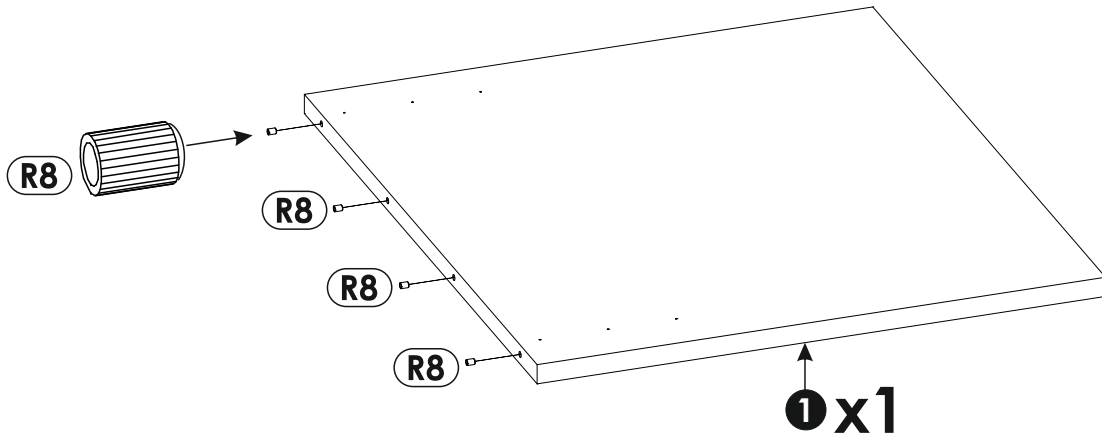
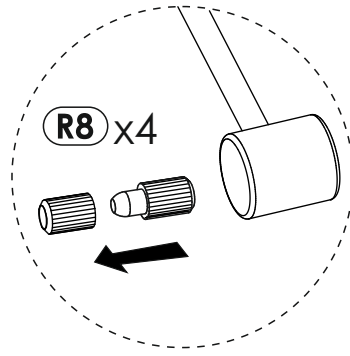
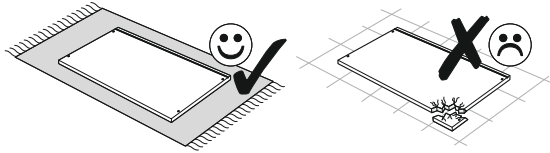
11 ▶



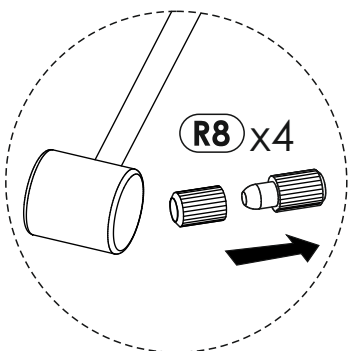
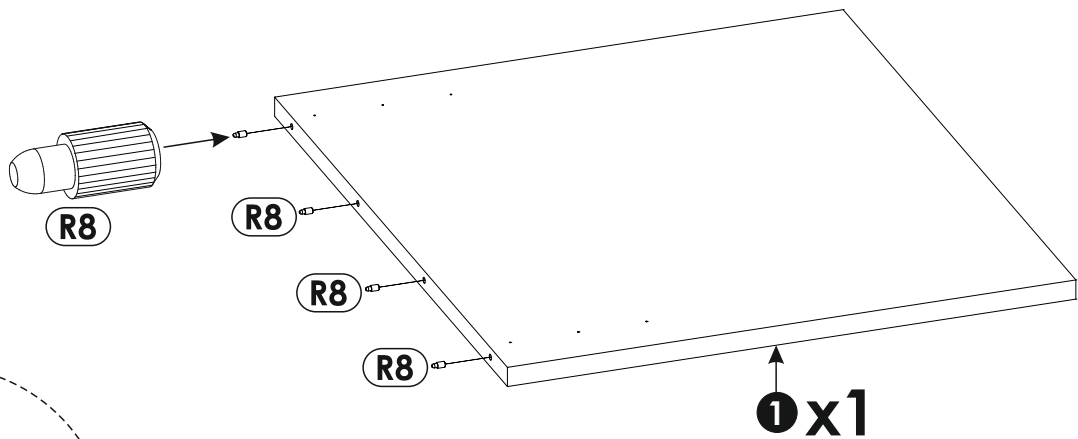
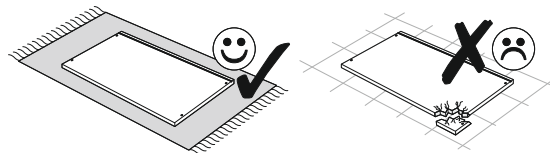
12 ▶



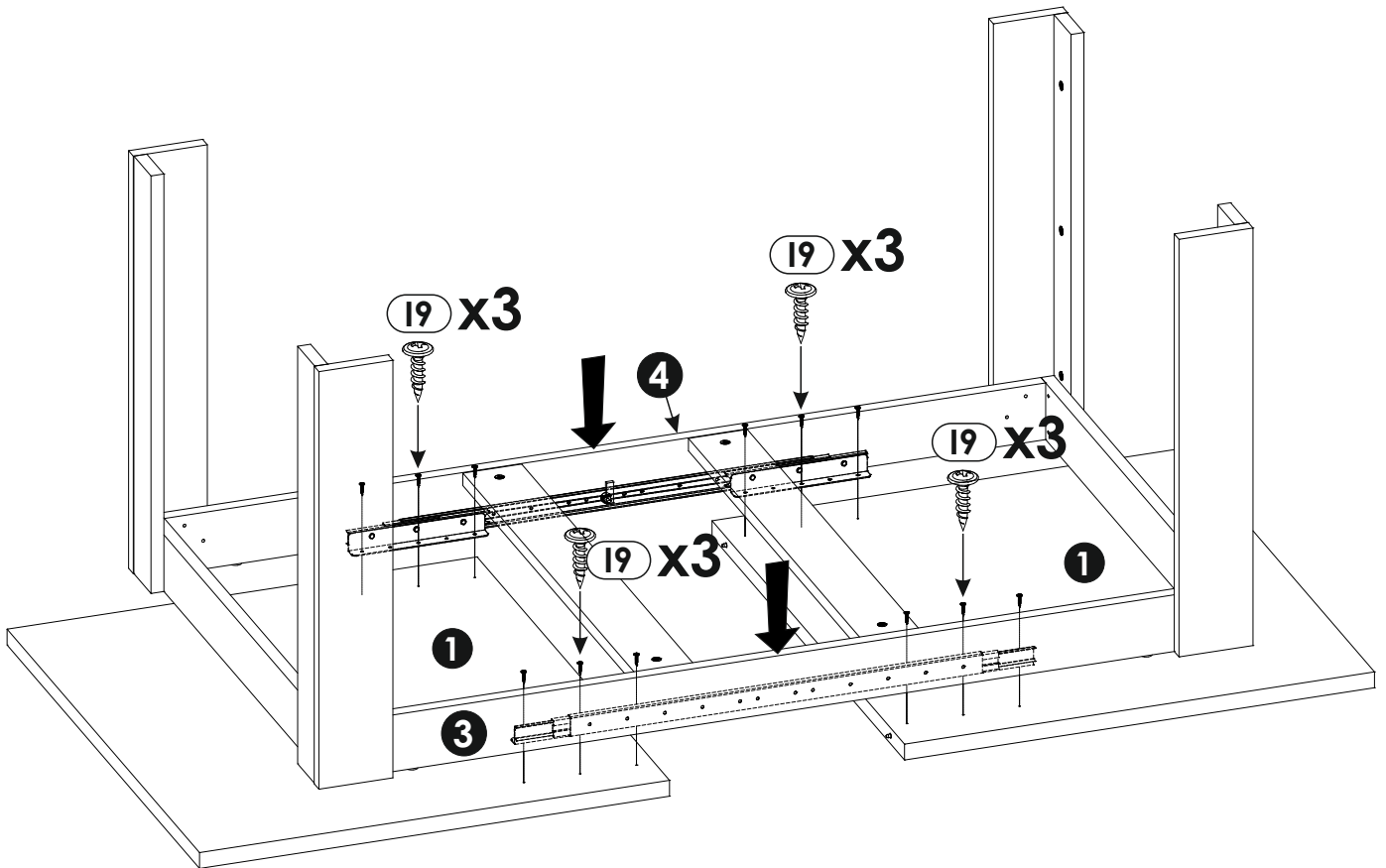
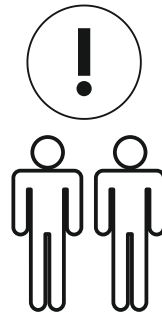
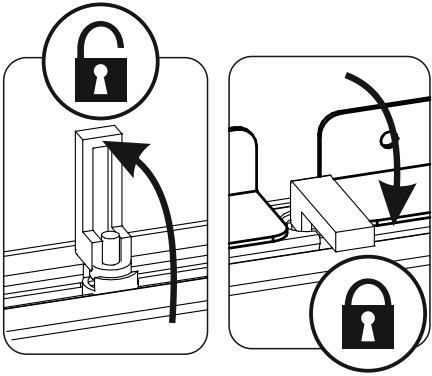
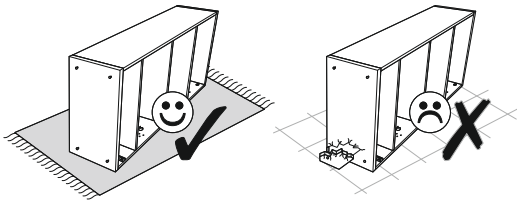
13▶



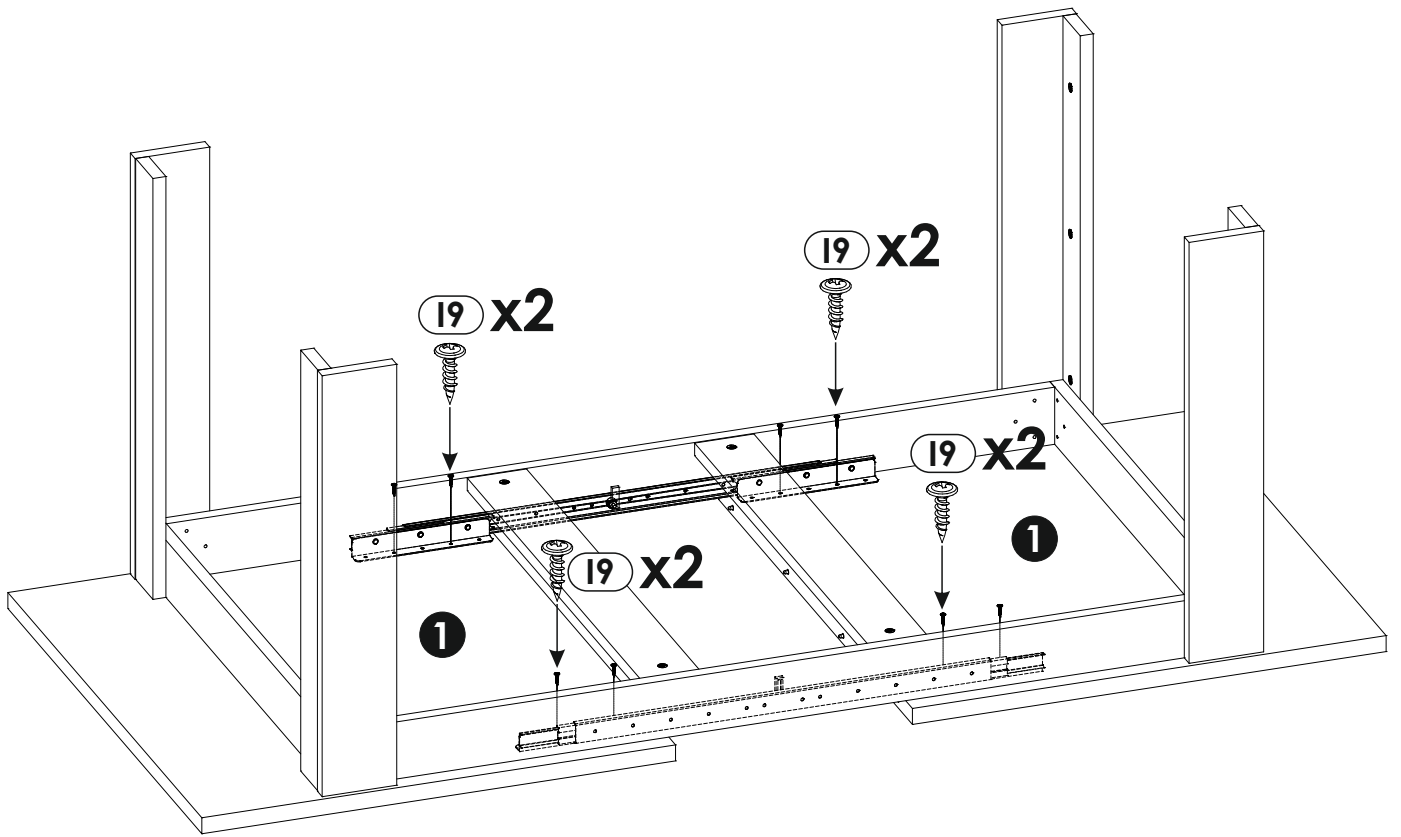
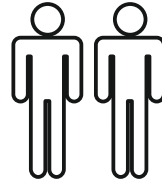
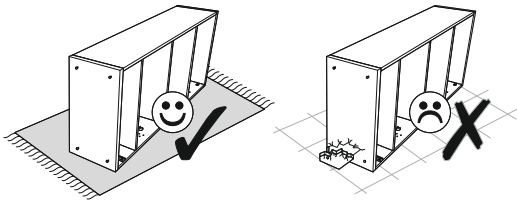
14▶



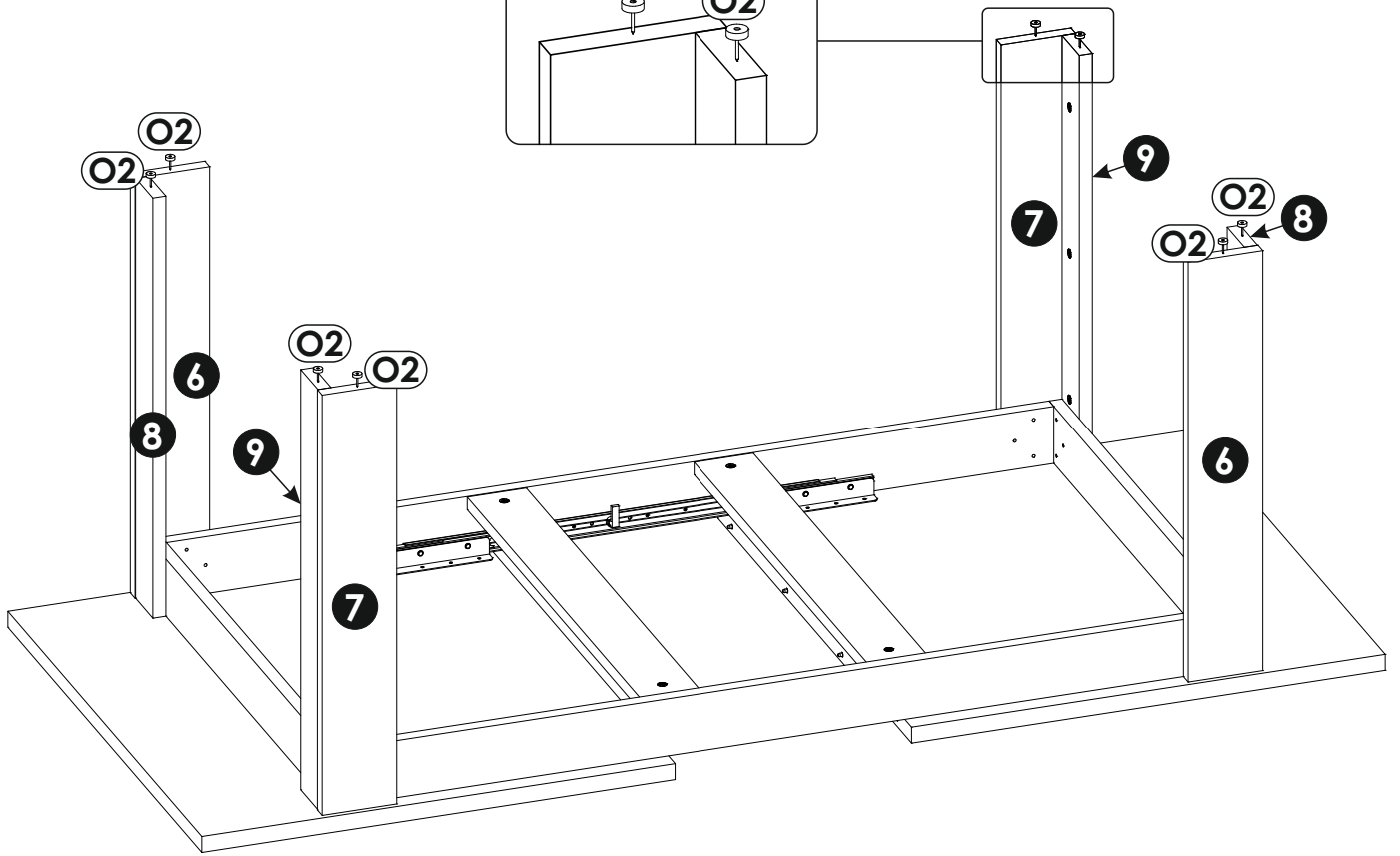
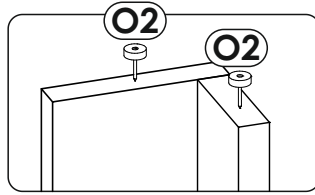
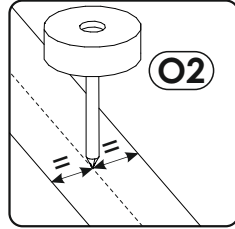
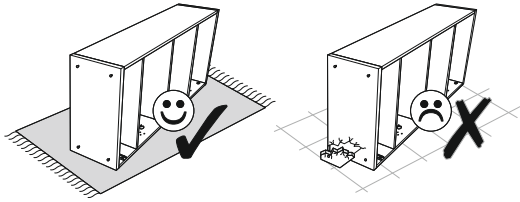
15 ▶



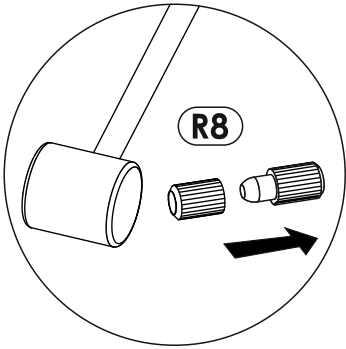
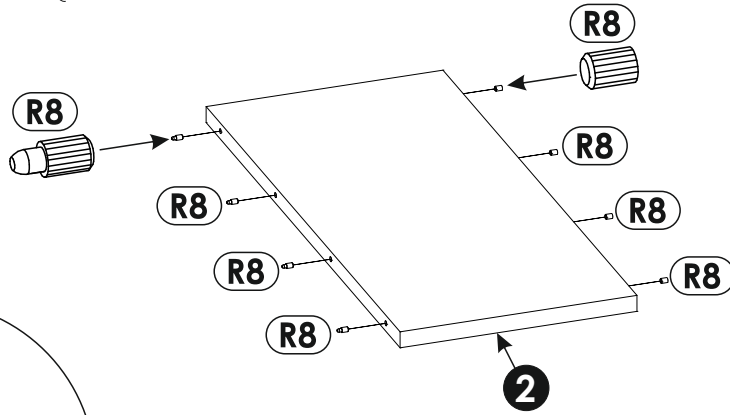
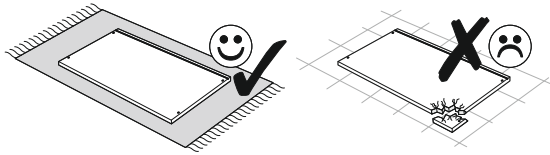
16 ▶▶



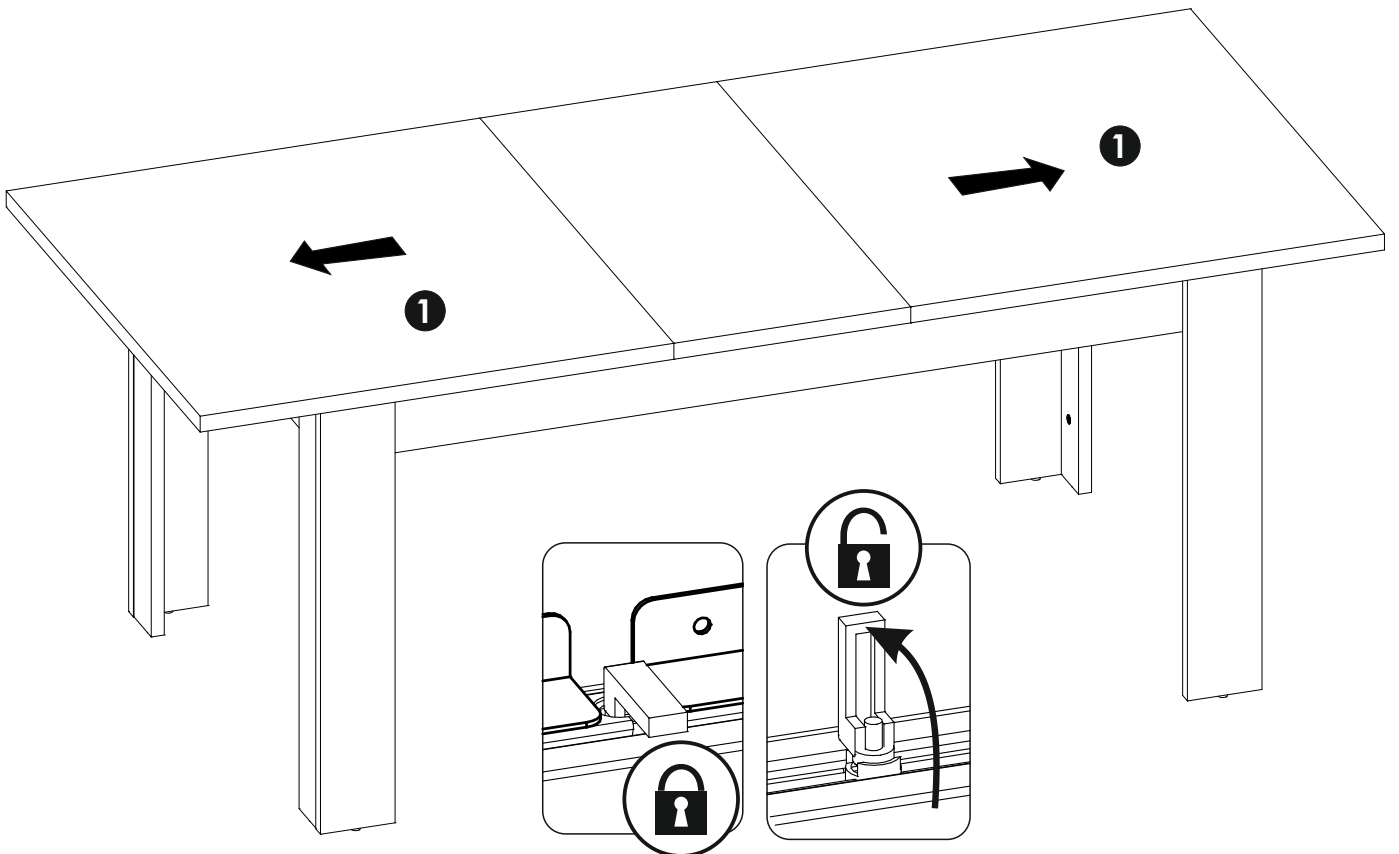
17▶



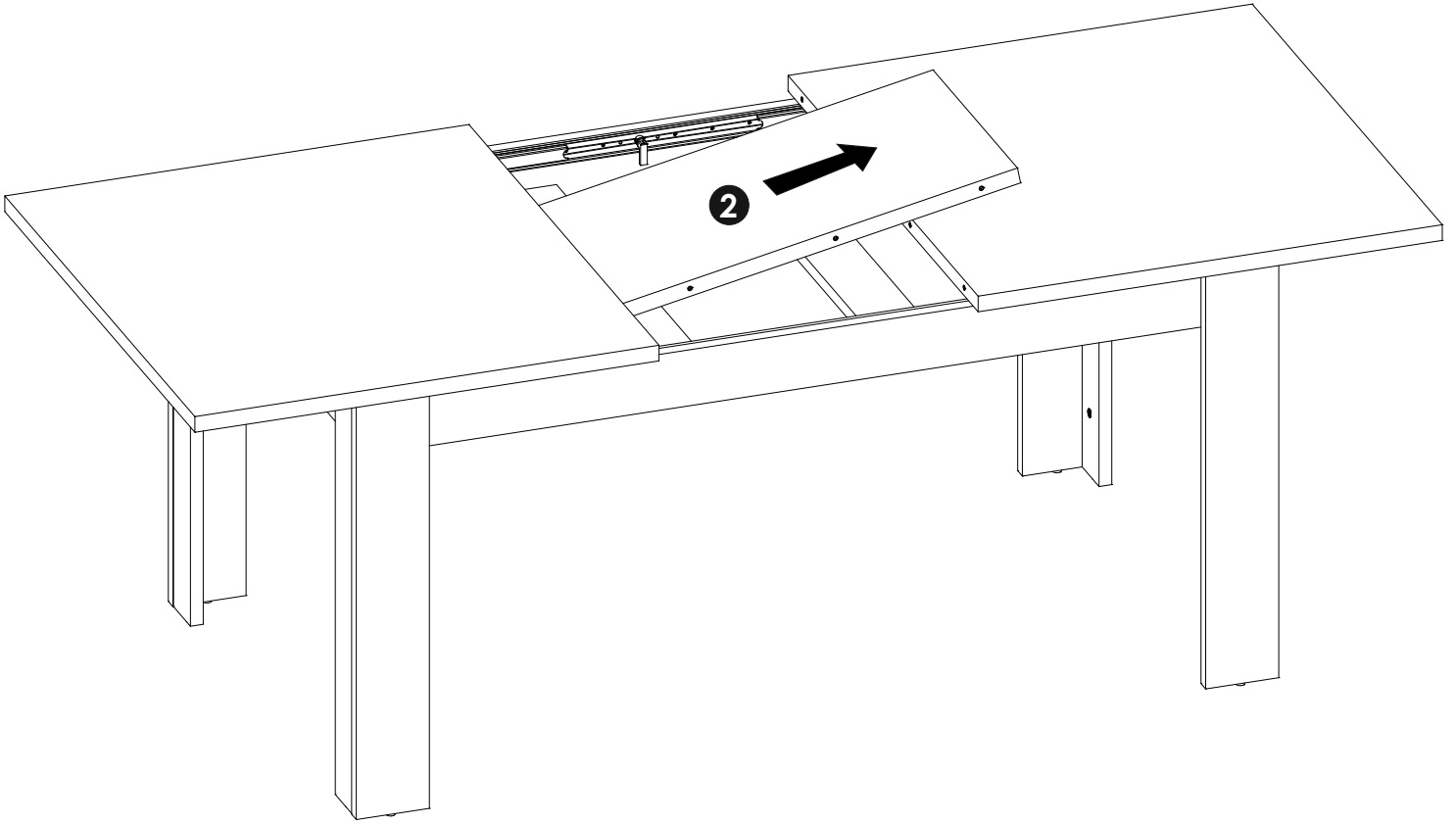
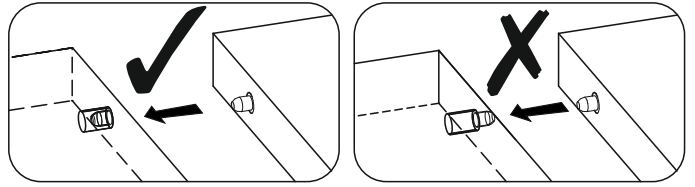
18▶



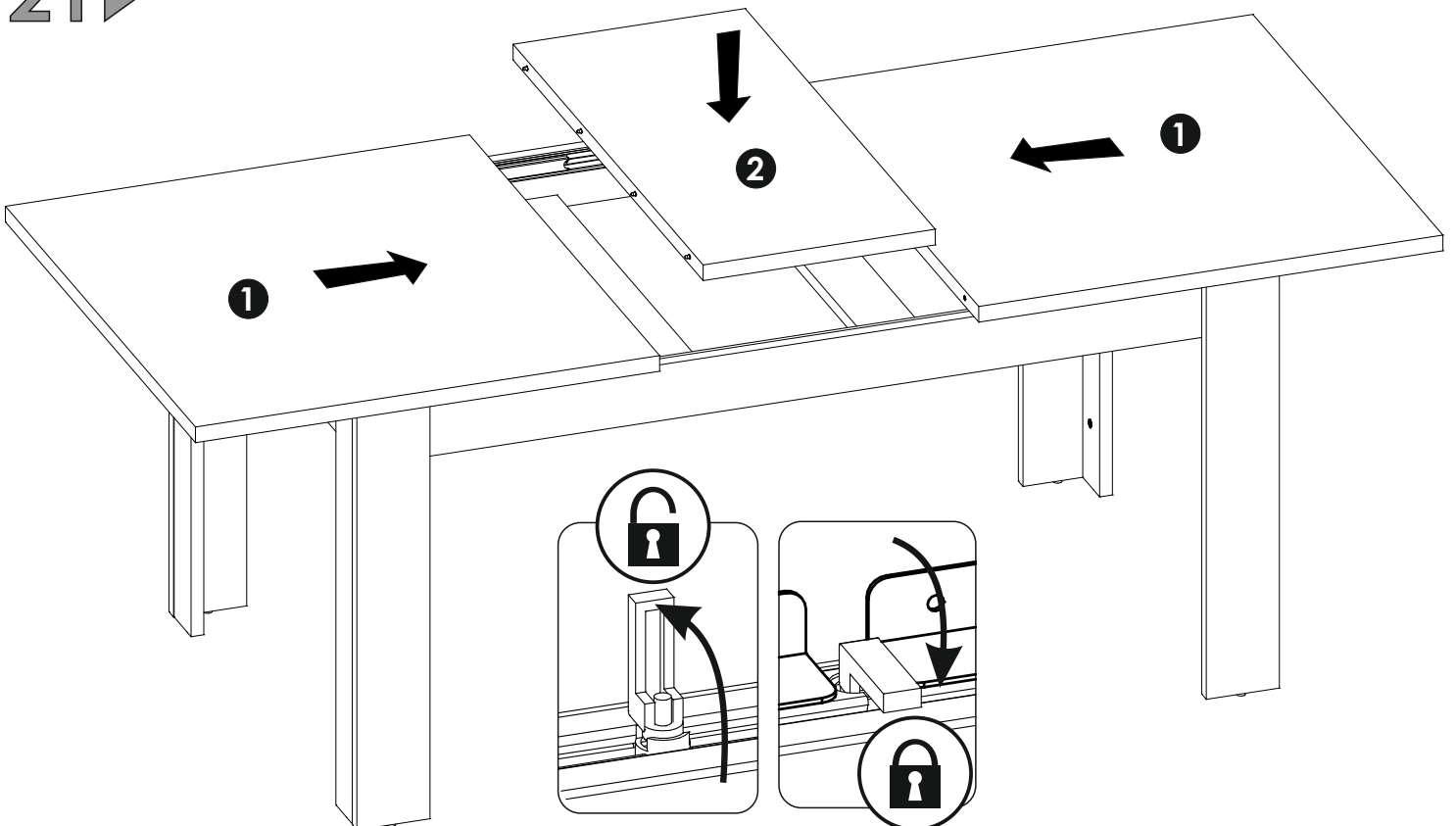
19▶



20▶



21▶



22 ▶

