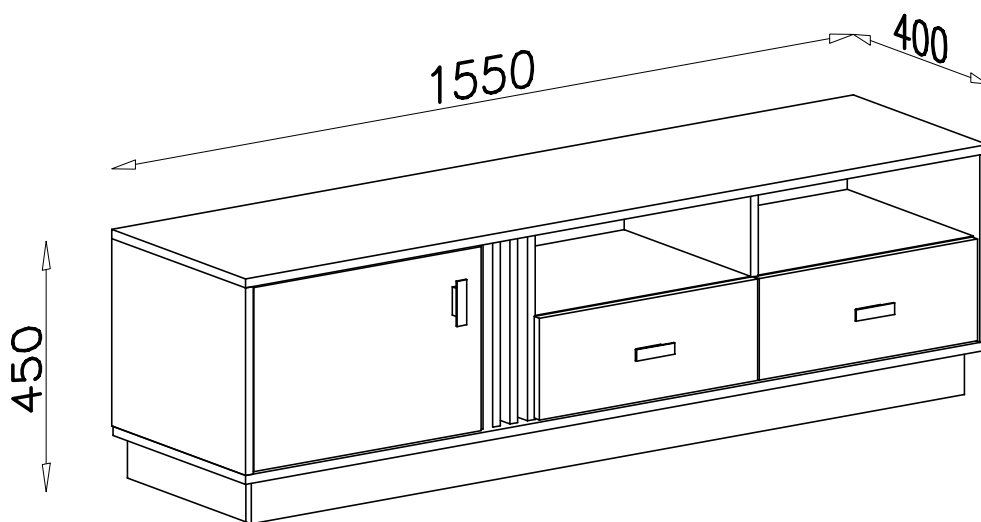
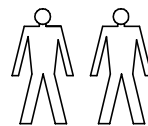
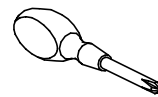
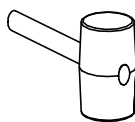
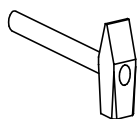
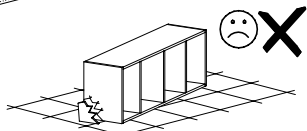
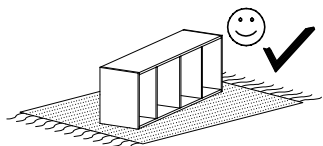
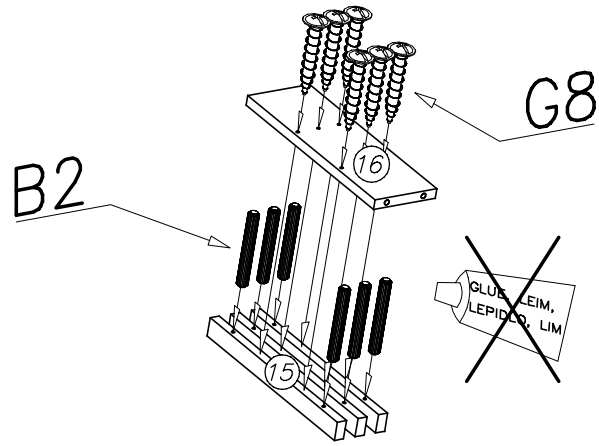


ALLMO AL 6

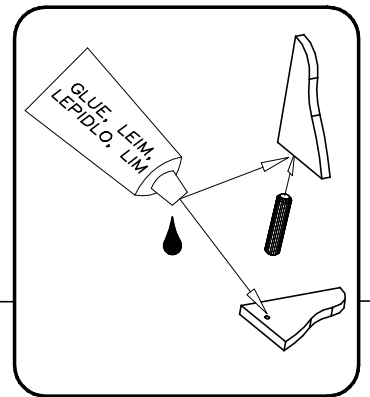
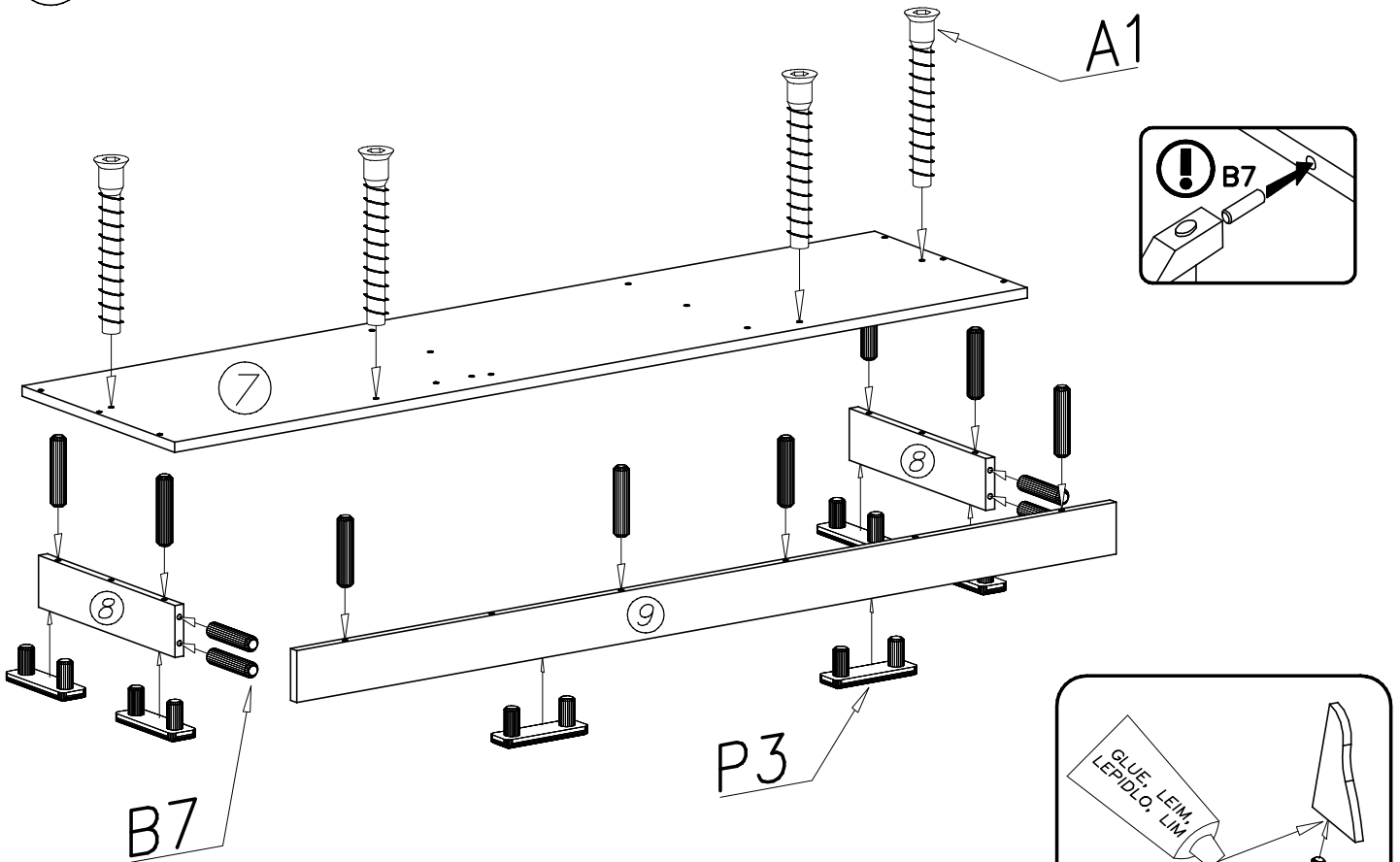


| | | | | |
|--------------------|--------------------|-------------------|---|--------------------|
| N13 M4x22 x6 | C4 Z350D x2 | G8 4x30 x6 | B2 ø6x30 x6 | F1 x1 |
| E11 x3 | D4 PZ350D x2 | G2 3x20 x45 | W1 GLUE, LEIM, LEPIDLO, LIM x3 | H24 350mm x2 |
| P3 x6 | G4 4x16 x4 | W2 x1 | G1 4x13 x20 | |
| A1 ø7x50 x14 | B7 ø8x30 x62 | | | |

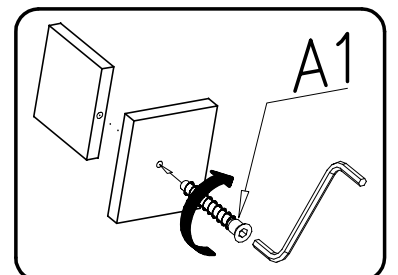
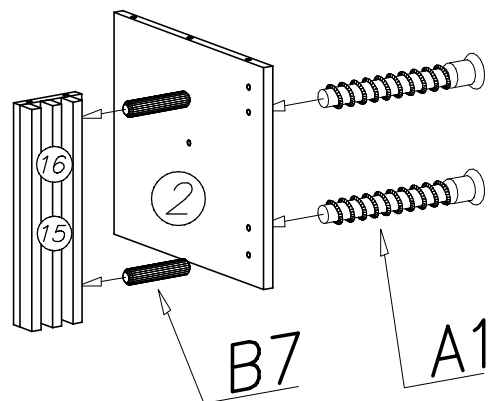
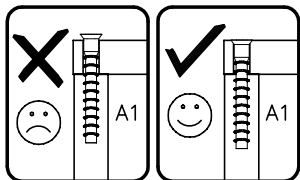
I



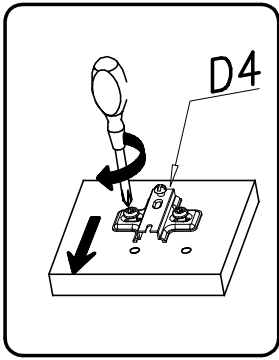
II



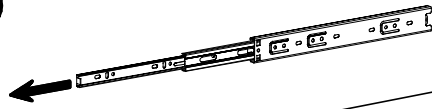
III



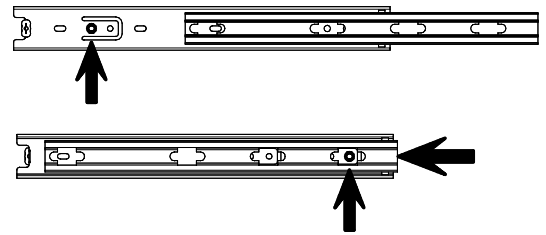
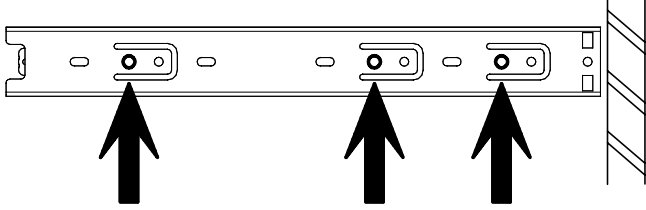
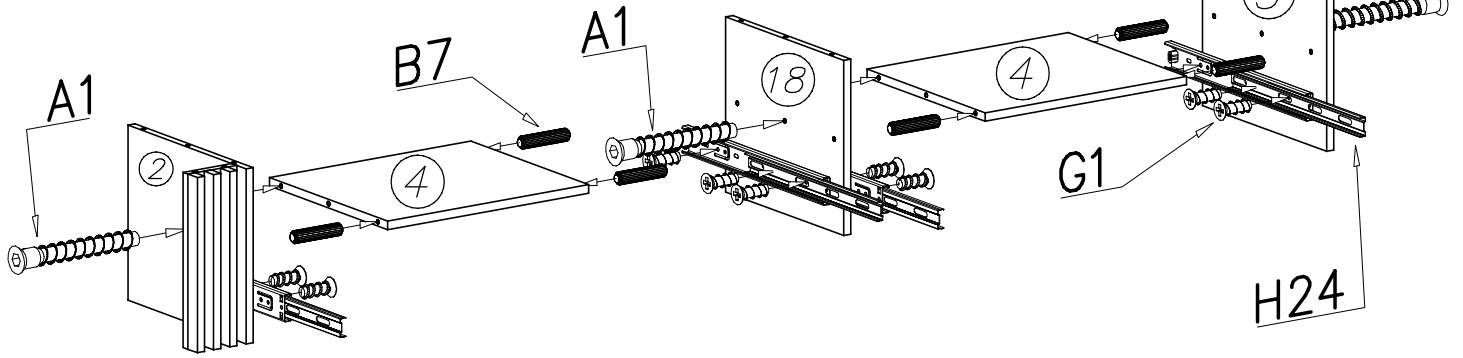
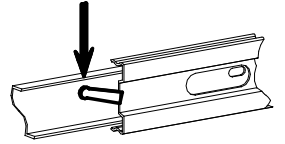
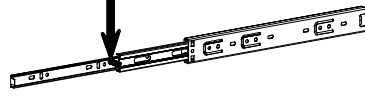
IV



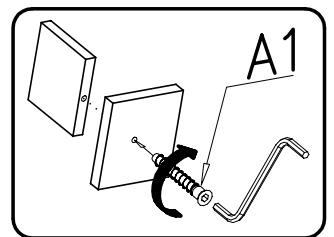
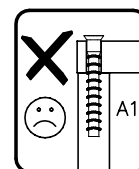
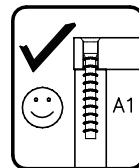
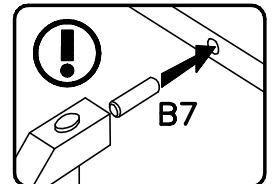
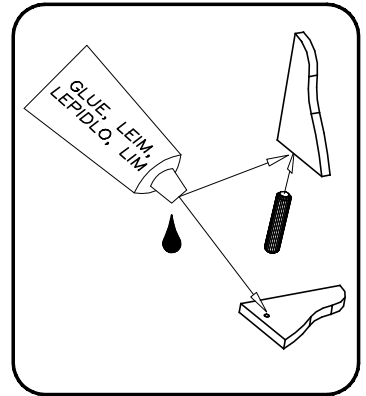
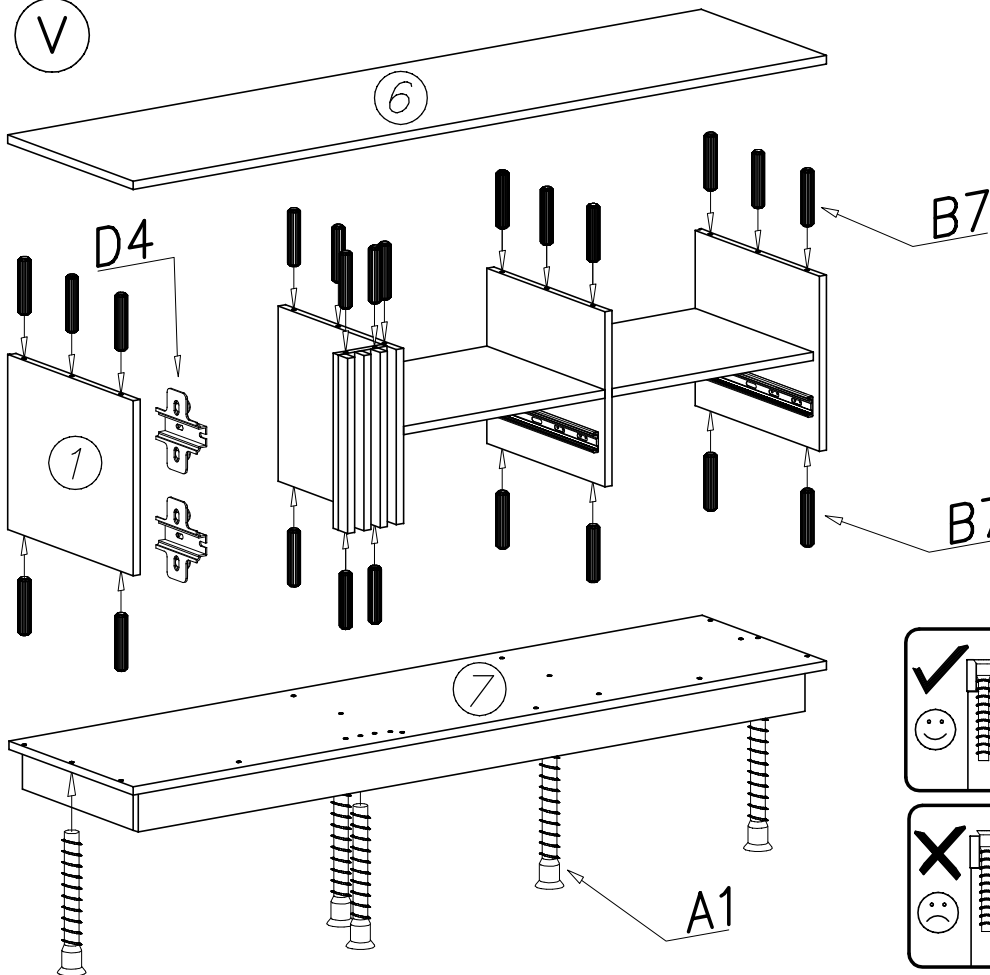
A



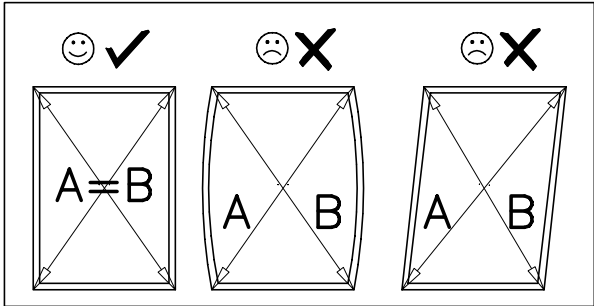
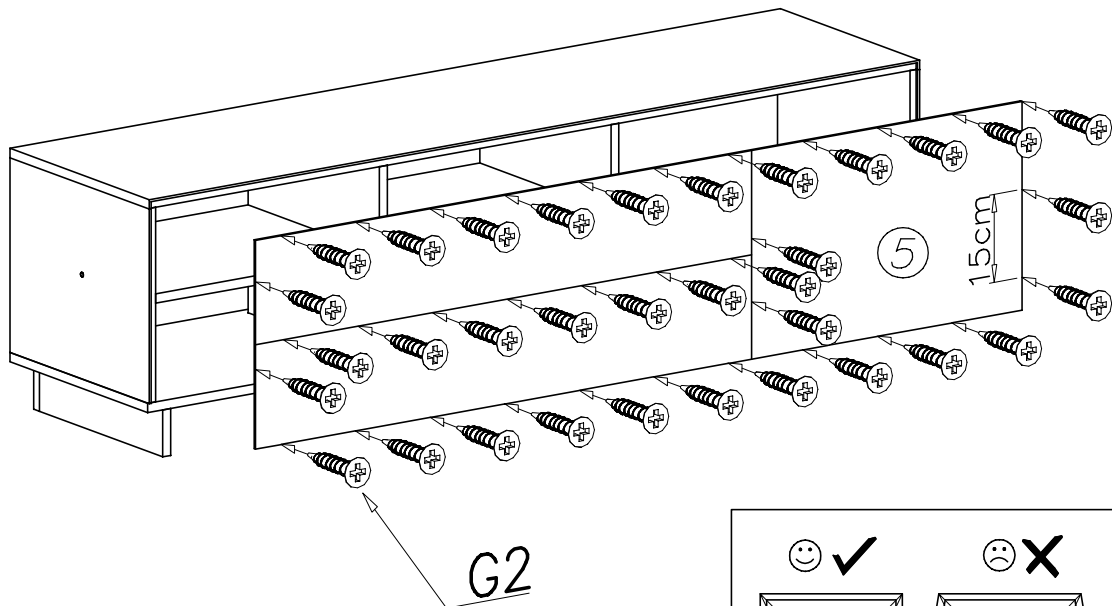
B



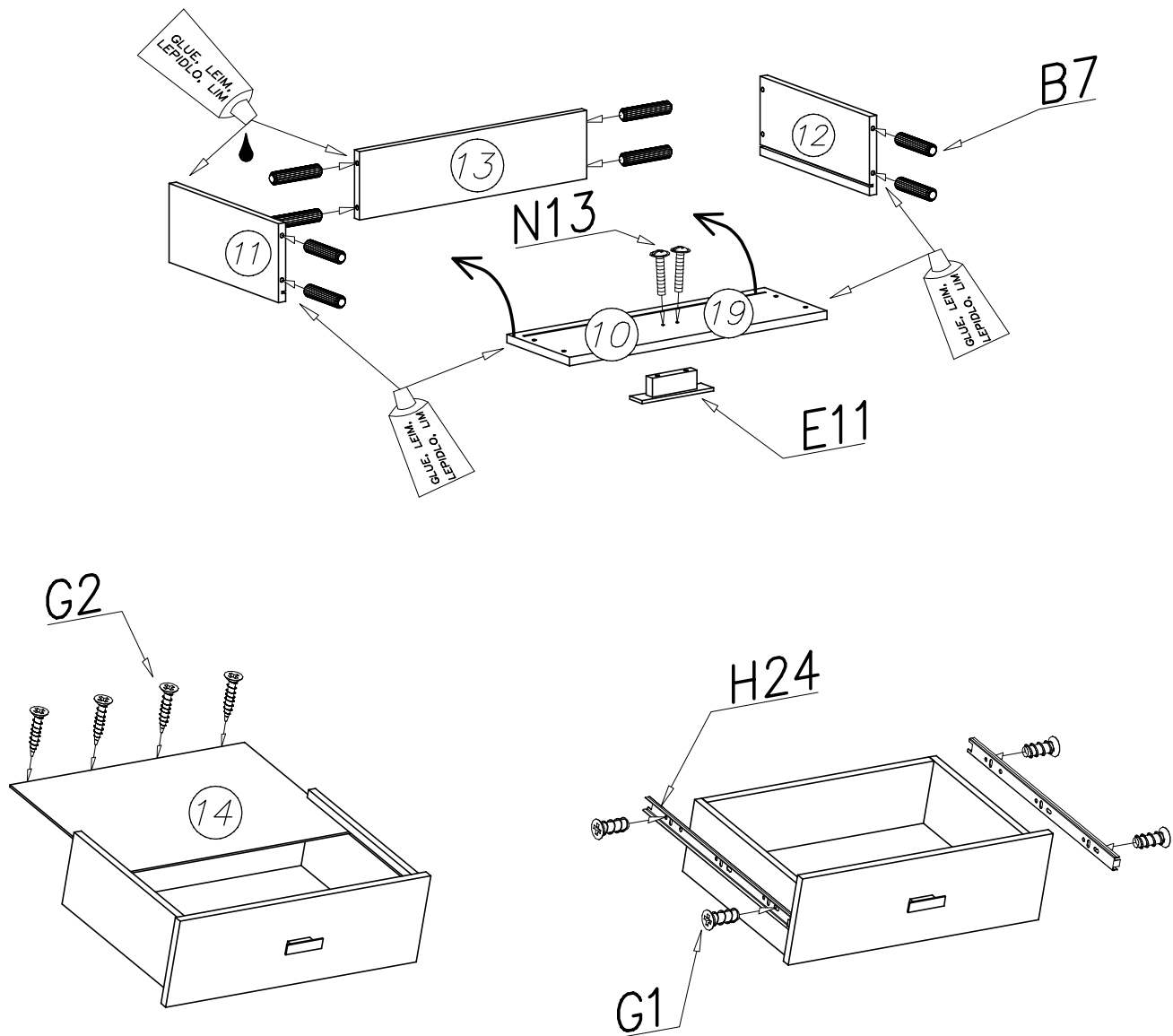
V

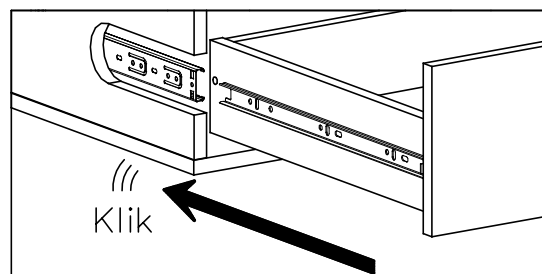
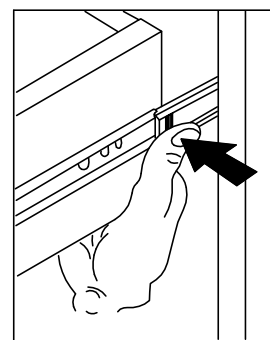
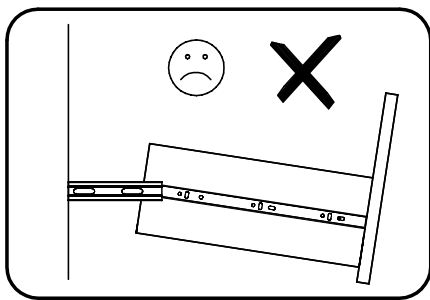
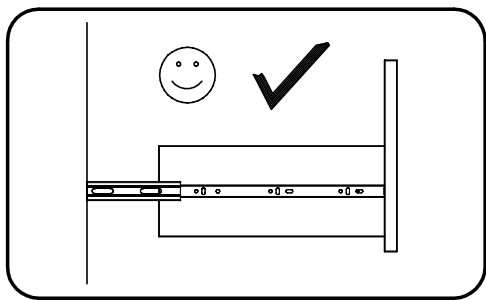
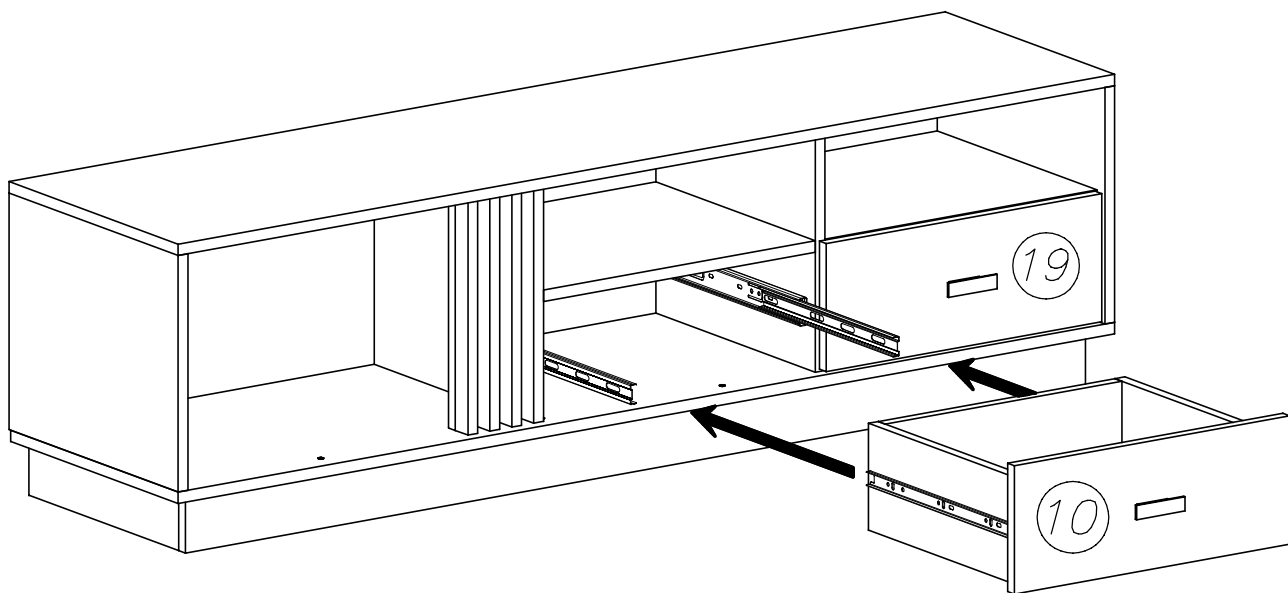


VI



VII





IX

