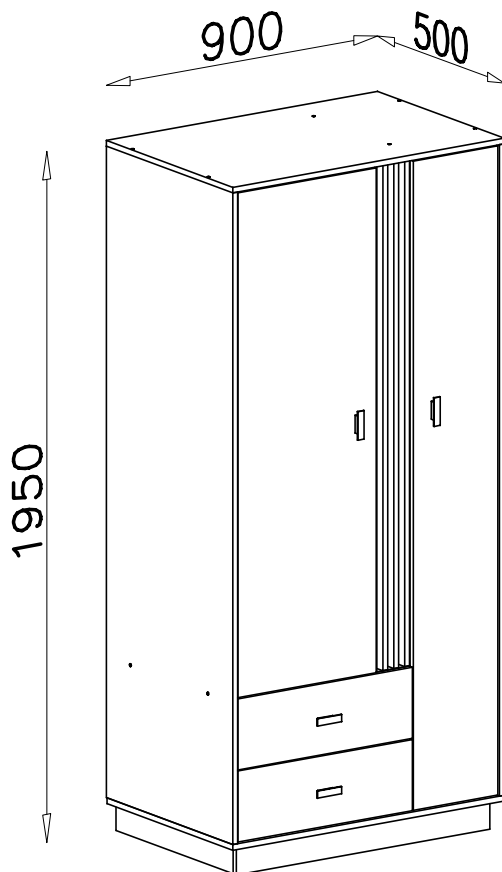
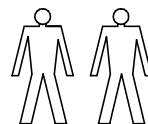
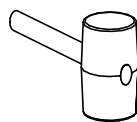
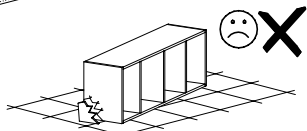
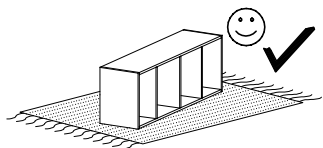

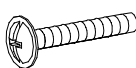
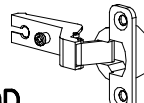


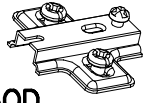
# ALLMO AL 2

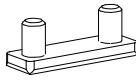


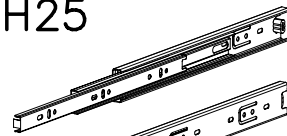
**B2**  
  
 ø6x30 x24

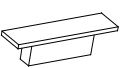
**N13**  
  
 M4x22 x8

**C4**  
  
 Z350D x6

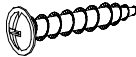
**D4**  
  
 PZ350D x6

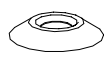
**P3**  
  
 x6

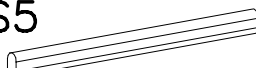
**H25**  
  
 400mm x2

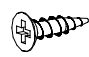
**E11**  
  
 x4


**W1**  
  
 GLUE, LEIM, LEPIDLO, LIM x3


**G8**  
  
 4x30 x16


**S2**  
  
 x12


**S5**  
  
 574mm x1


**G4**  
  
 4x16 x12

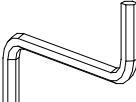
**G2**  
  
 3x20 x60

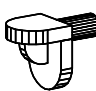
**G6**  
  
 3x13 x2

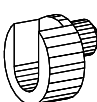
**G1**  
  
 4x13 x20

**A1**  
  
 ø7x50 x28

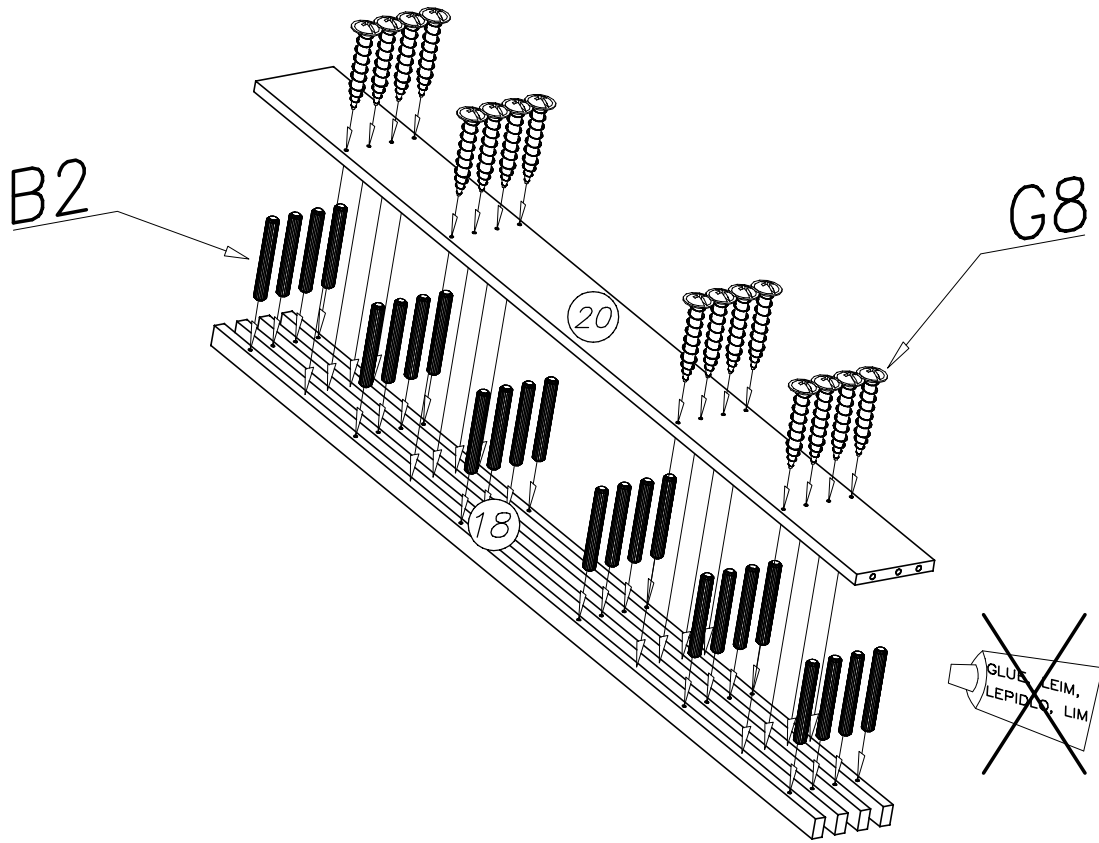
**B7**  
  
 ø8x30 x61

**W2**  
  
 x1

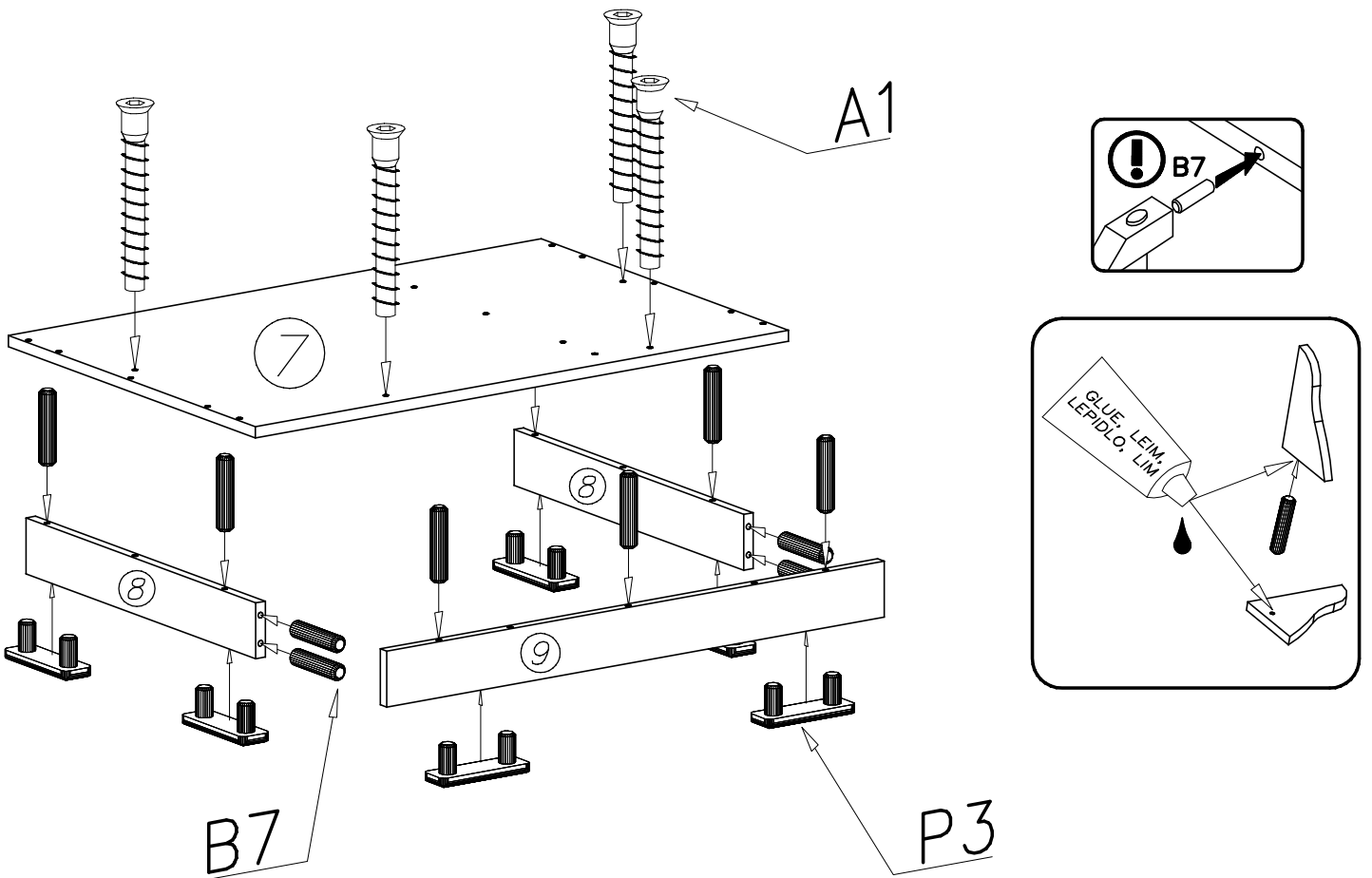
**F1**  
  
 x17

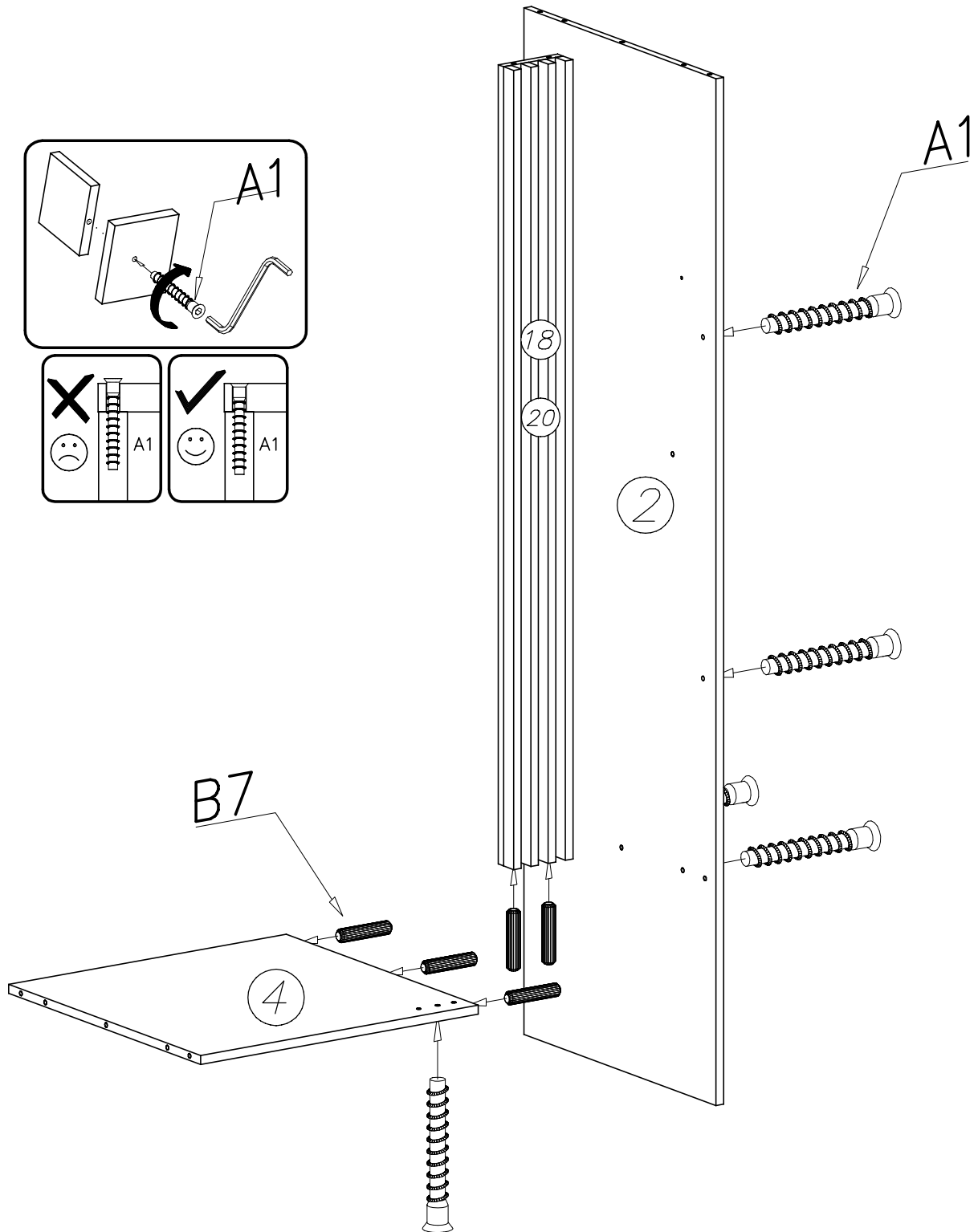
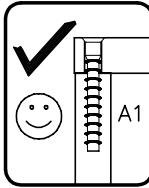
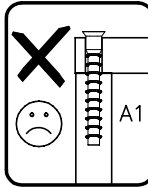
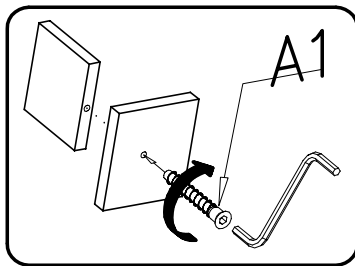
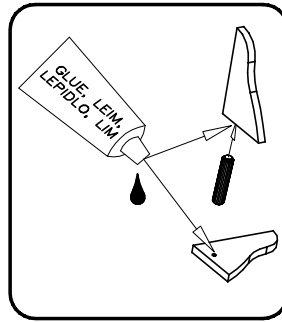
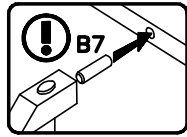
**S4**  
  
 x2

I

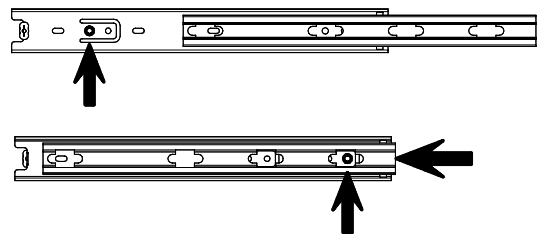
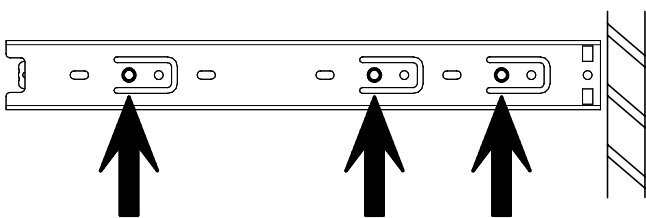
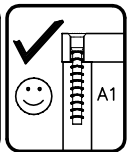
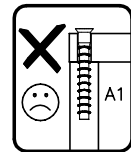
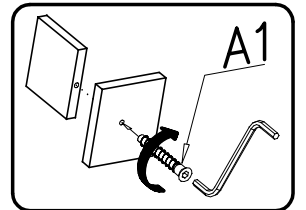
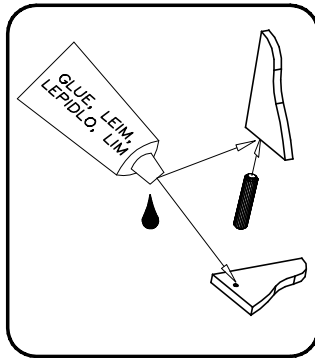
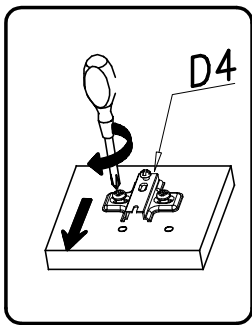
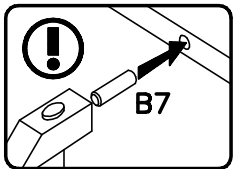
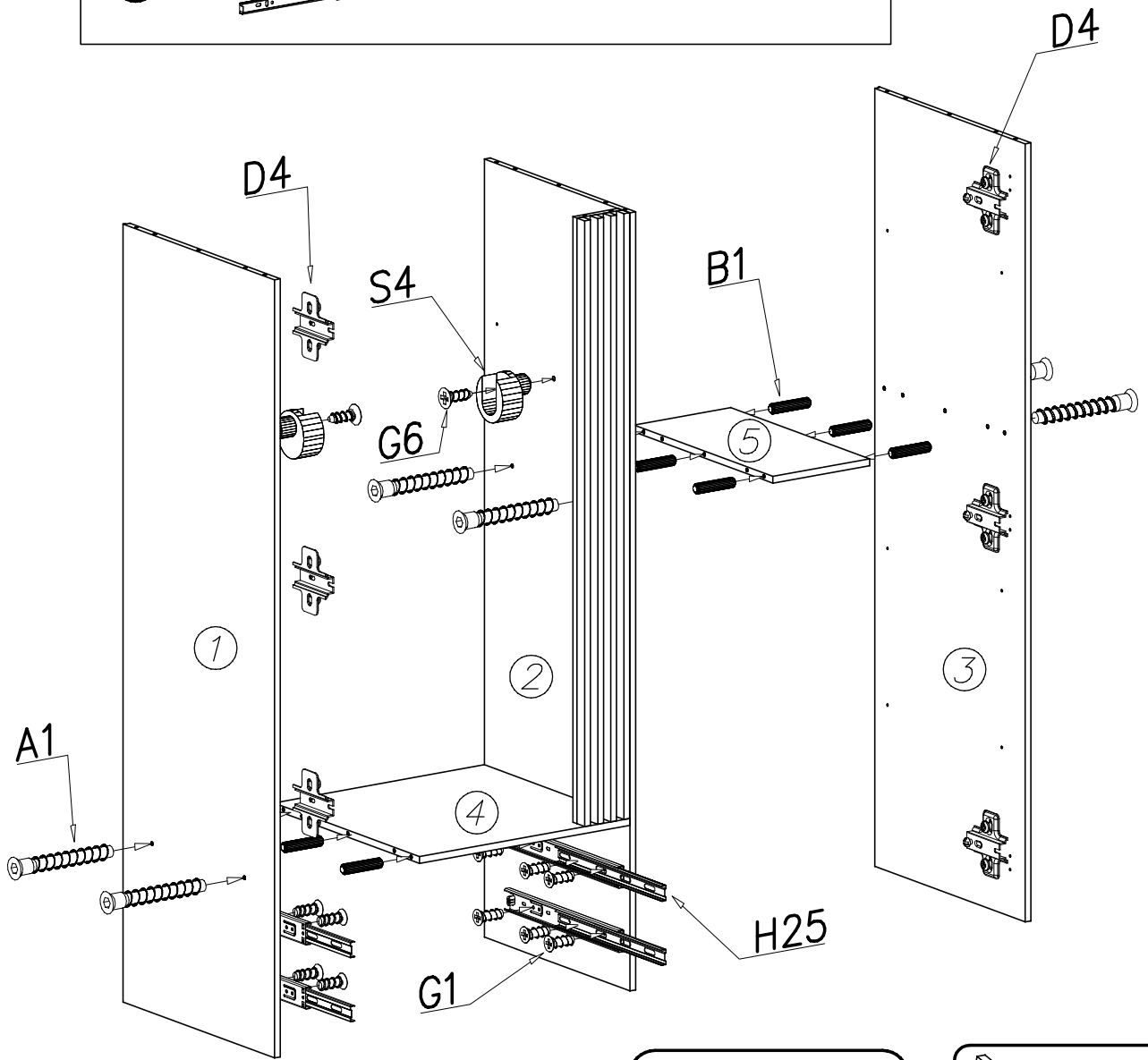
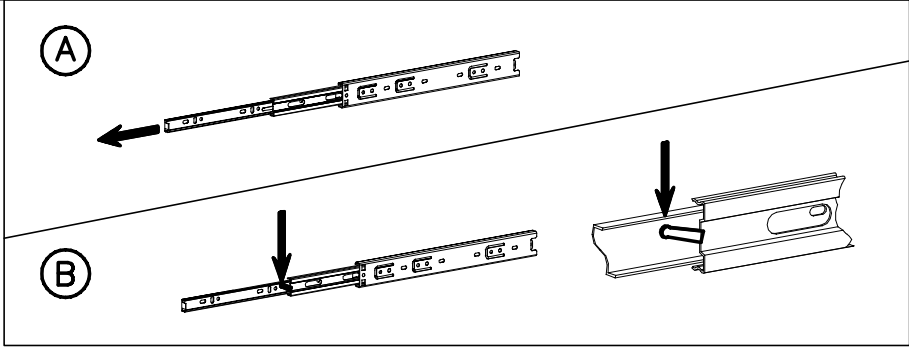


II

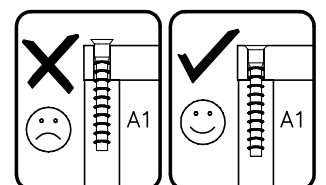
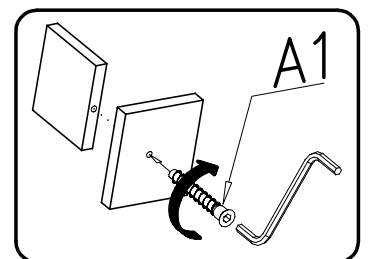
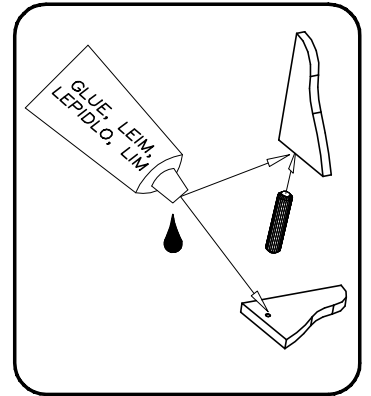
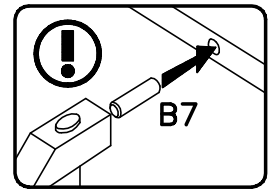
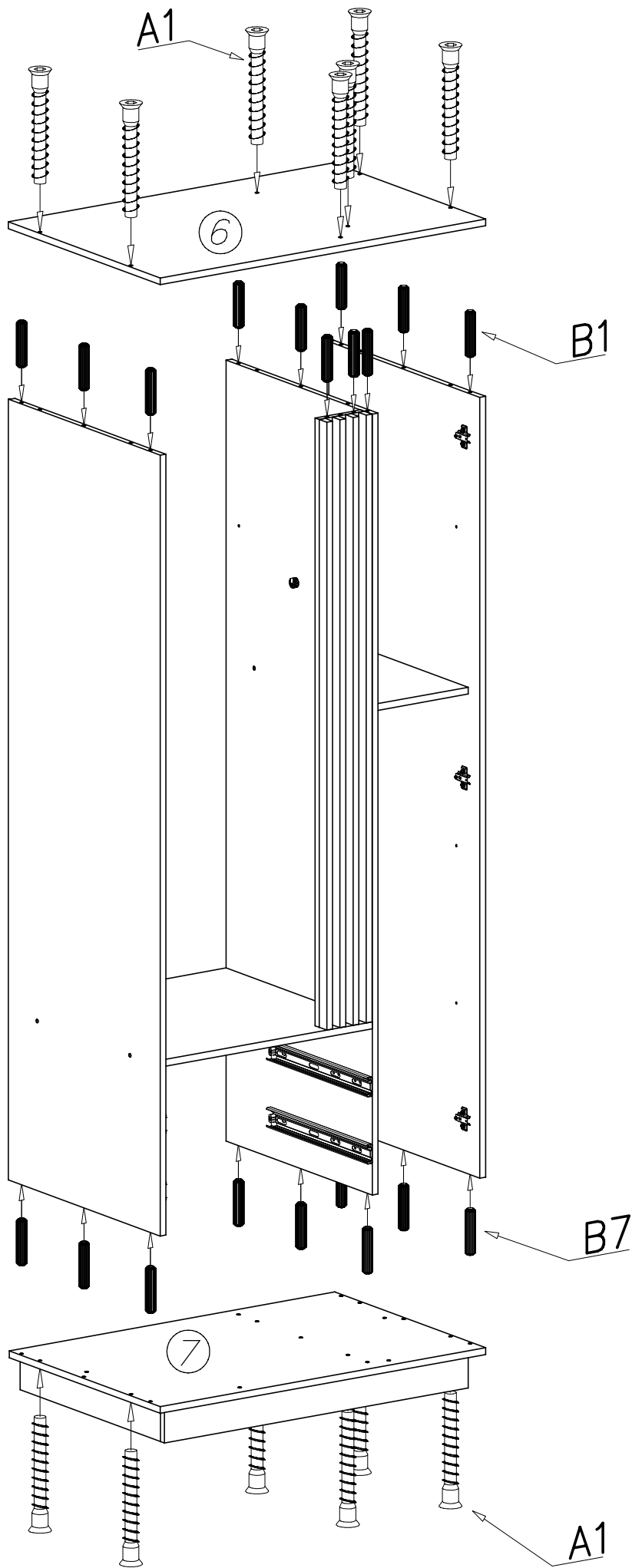


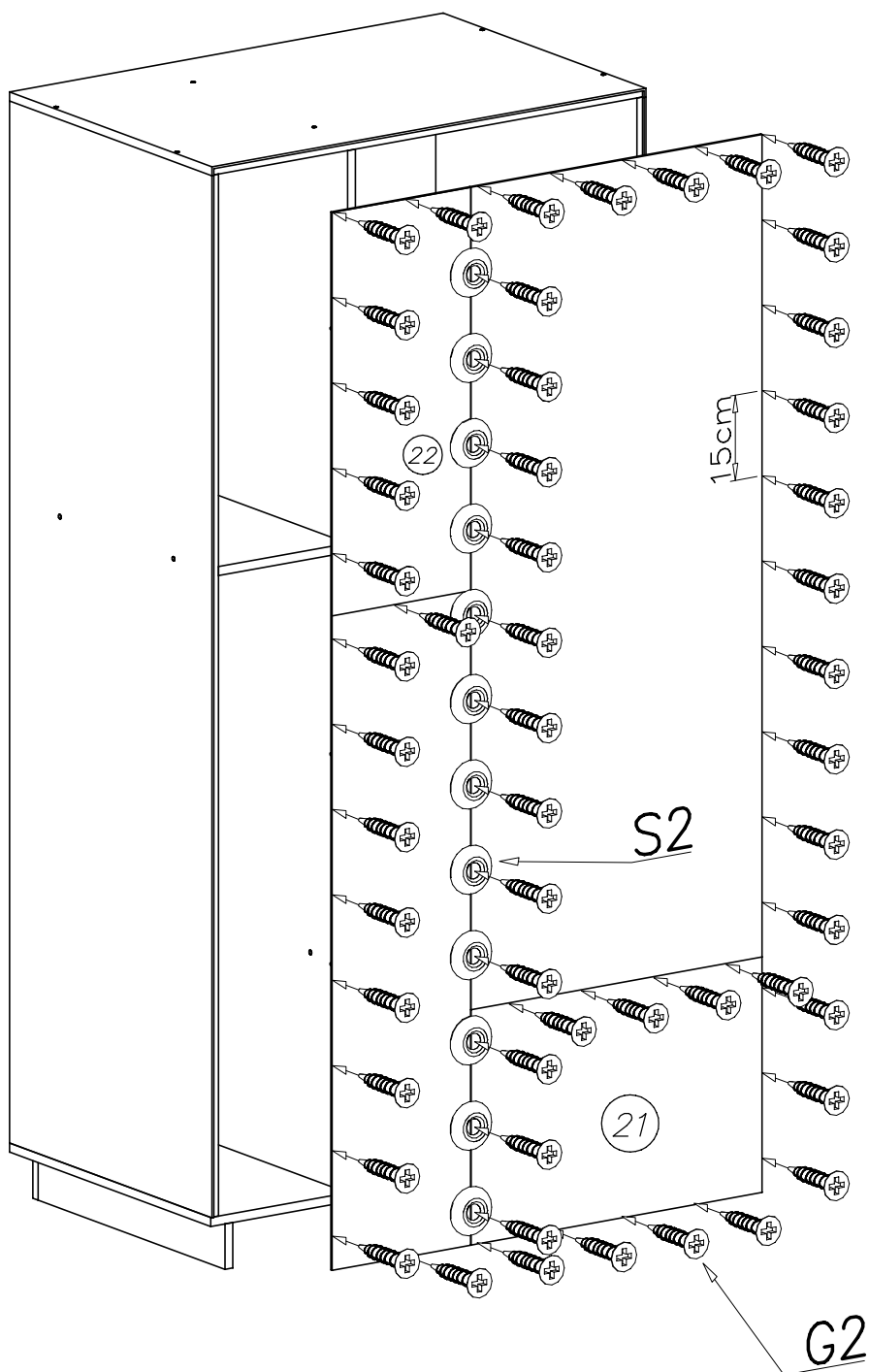
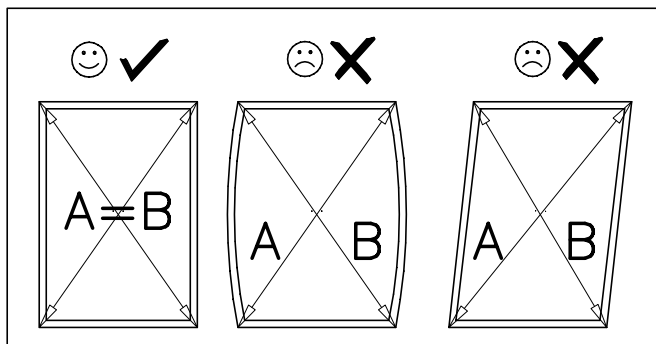


IV

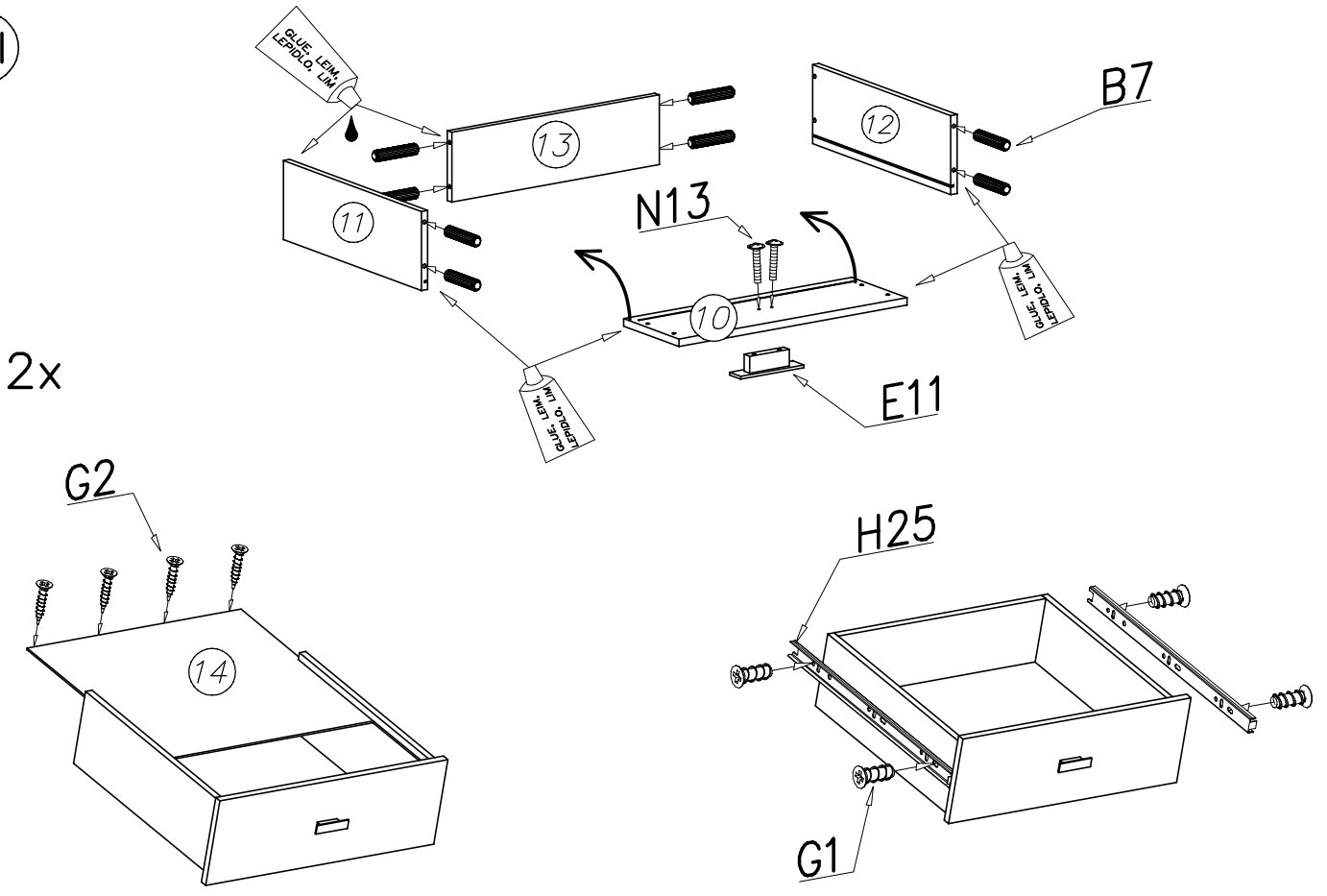


V

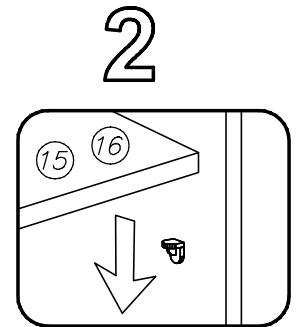
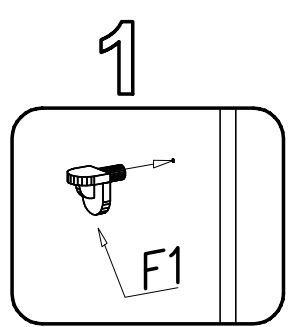
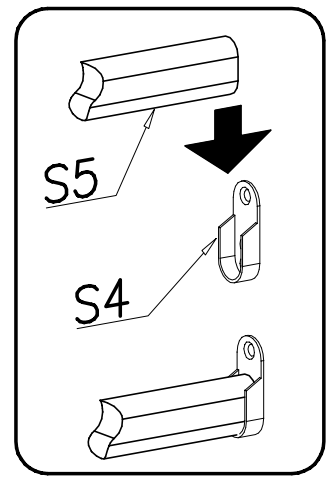
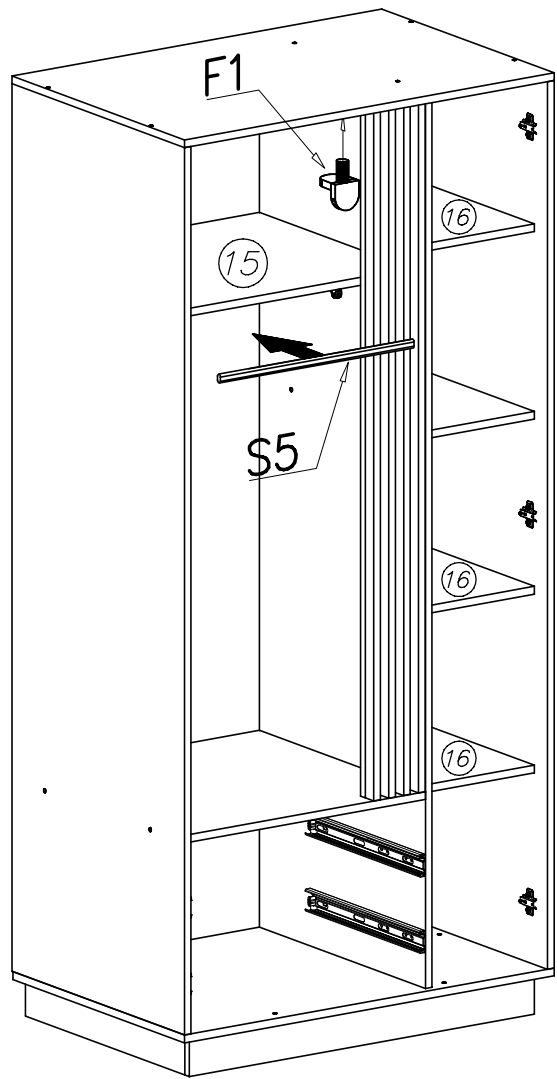




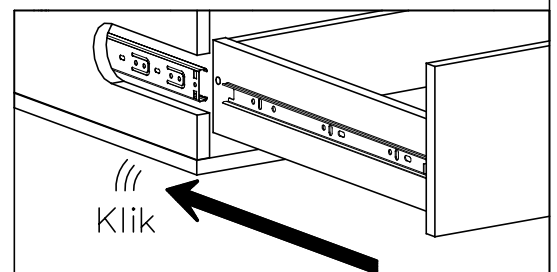
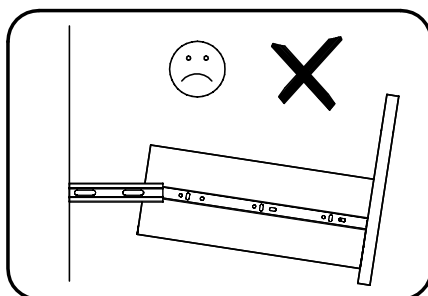
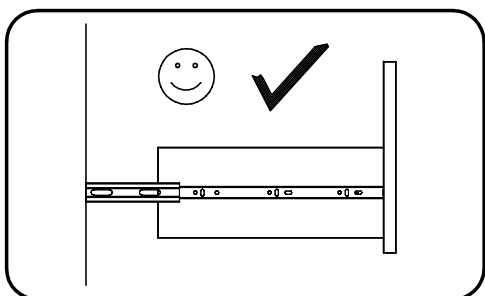
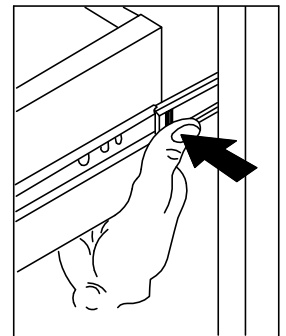
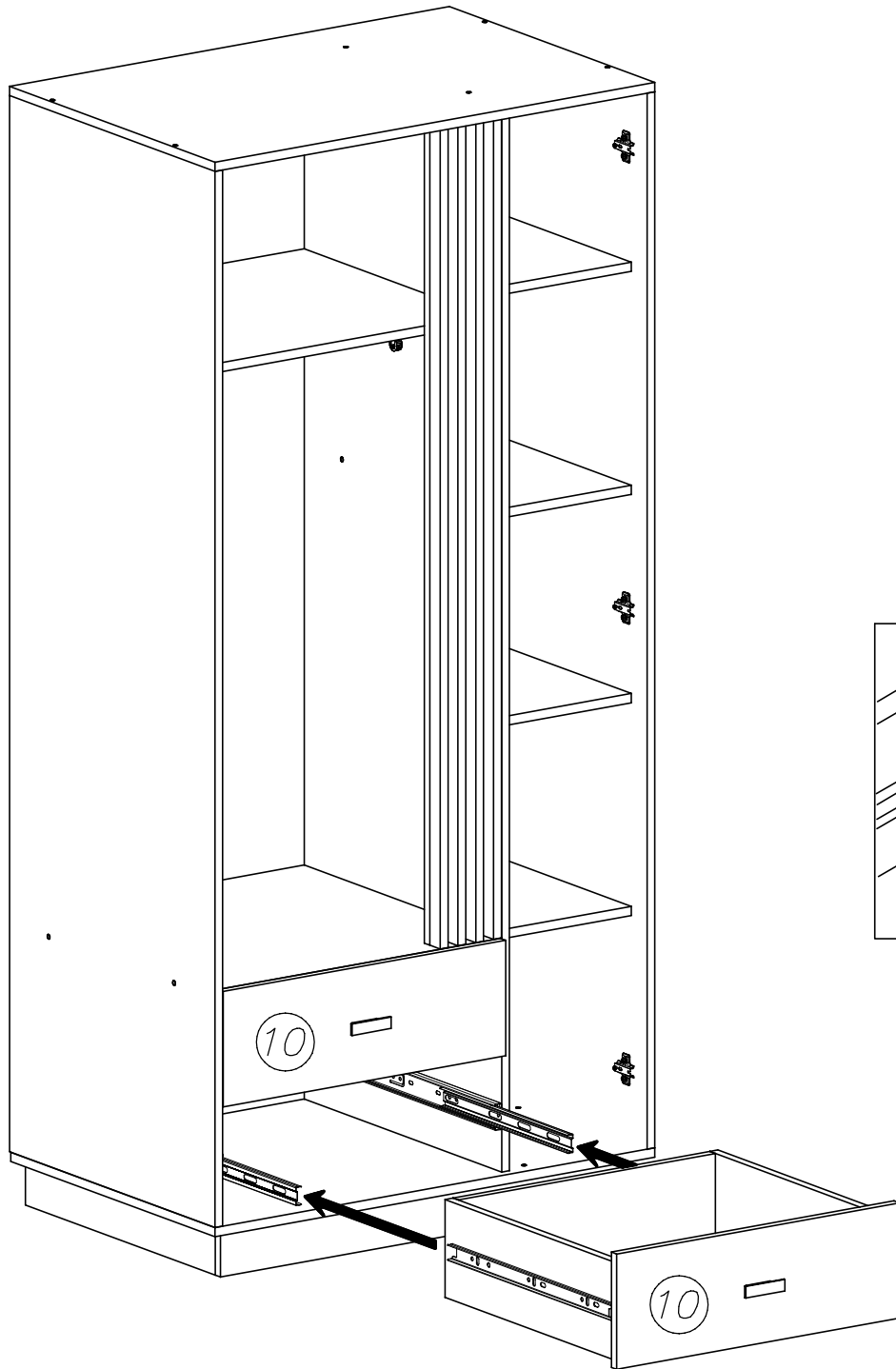
VII



VIII



IX





(X)

