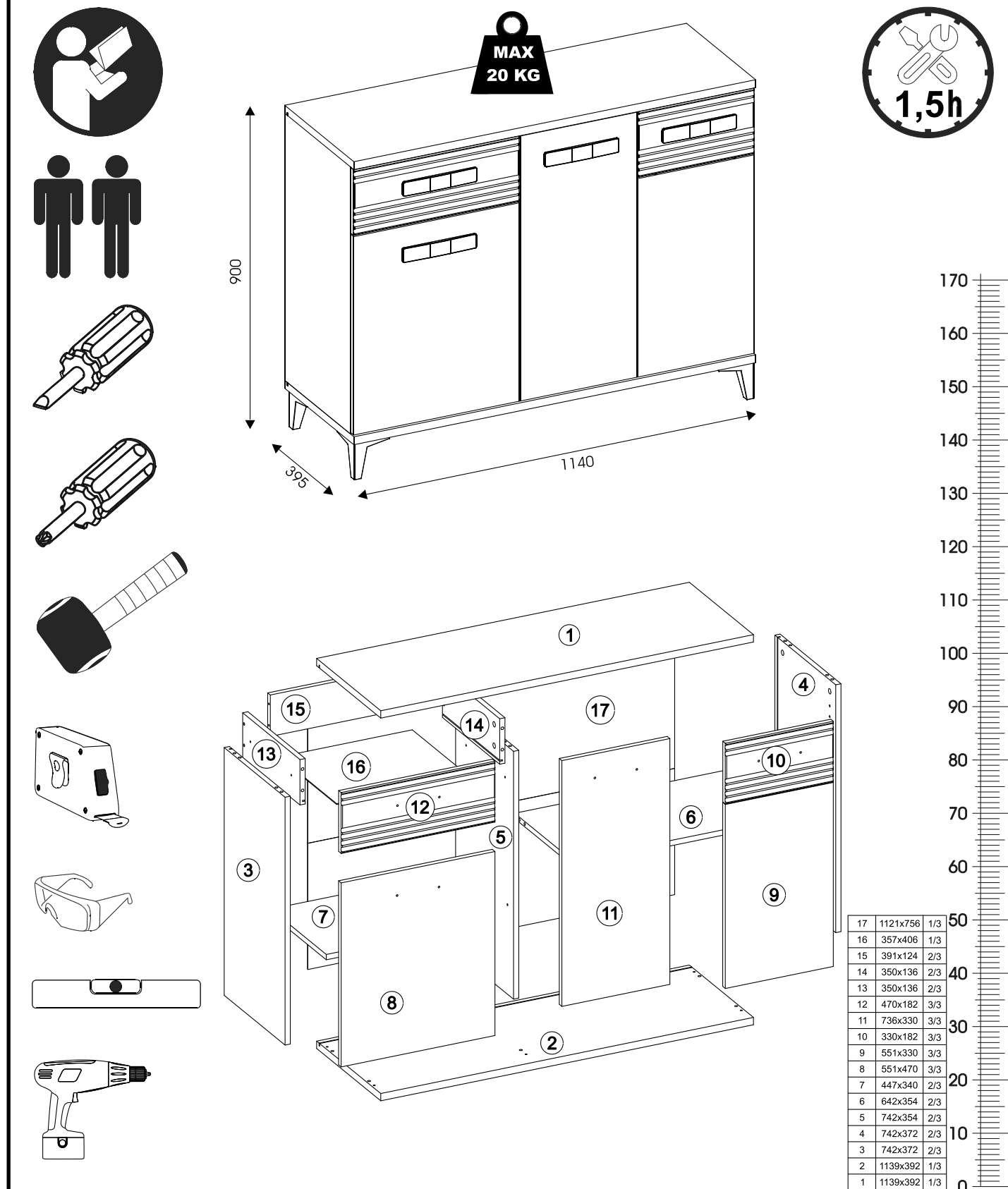
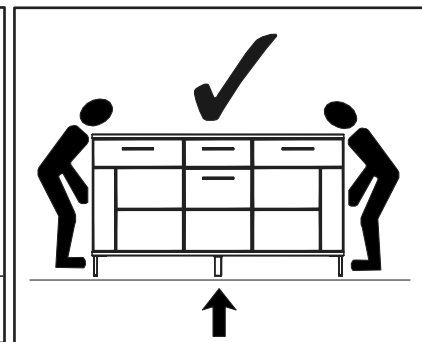
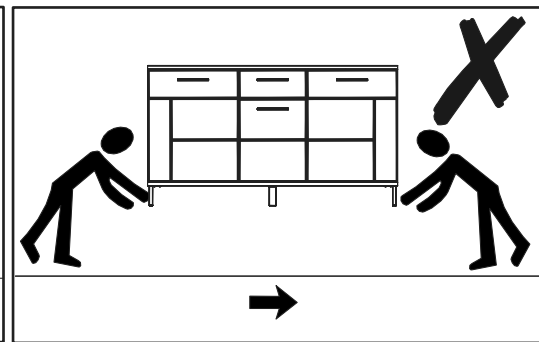
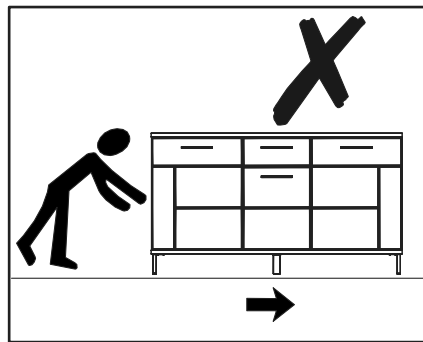
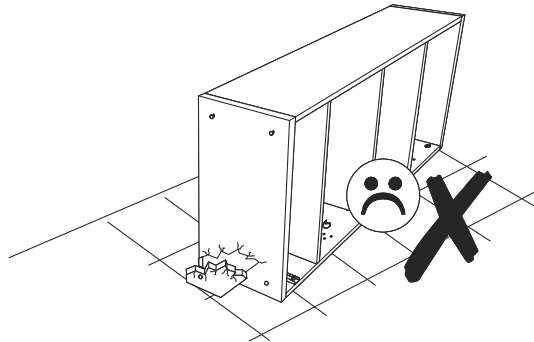
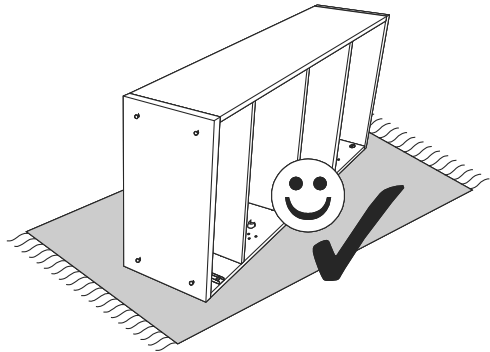
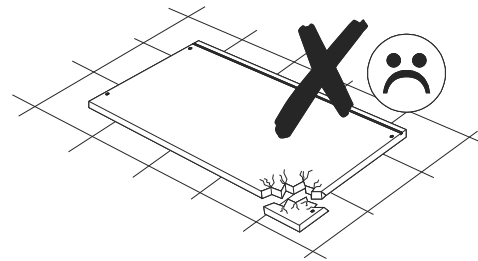
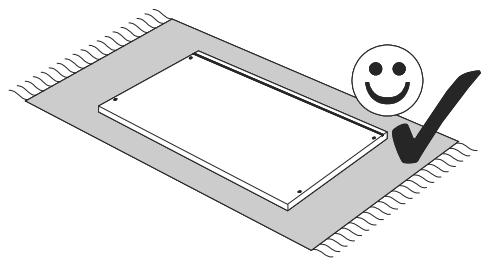
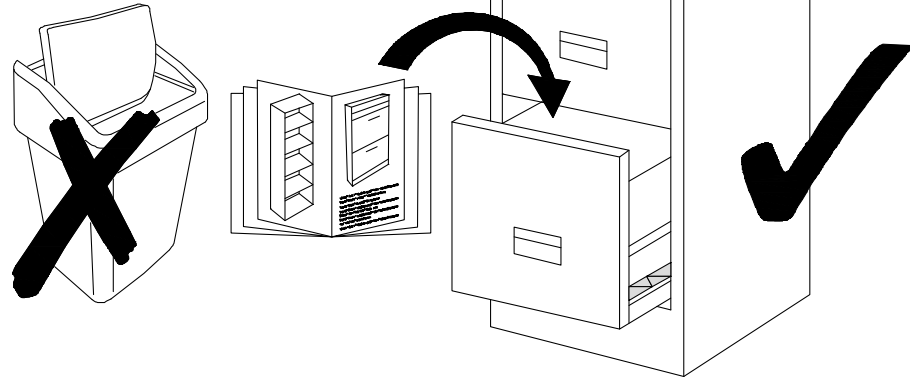


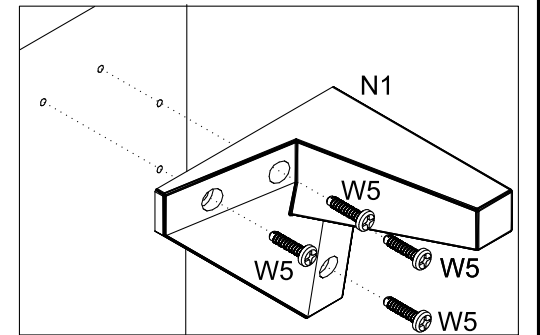
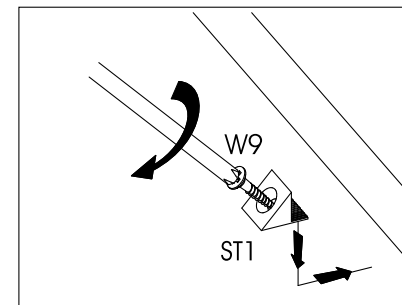
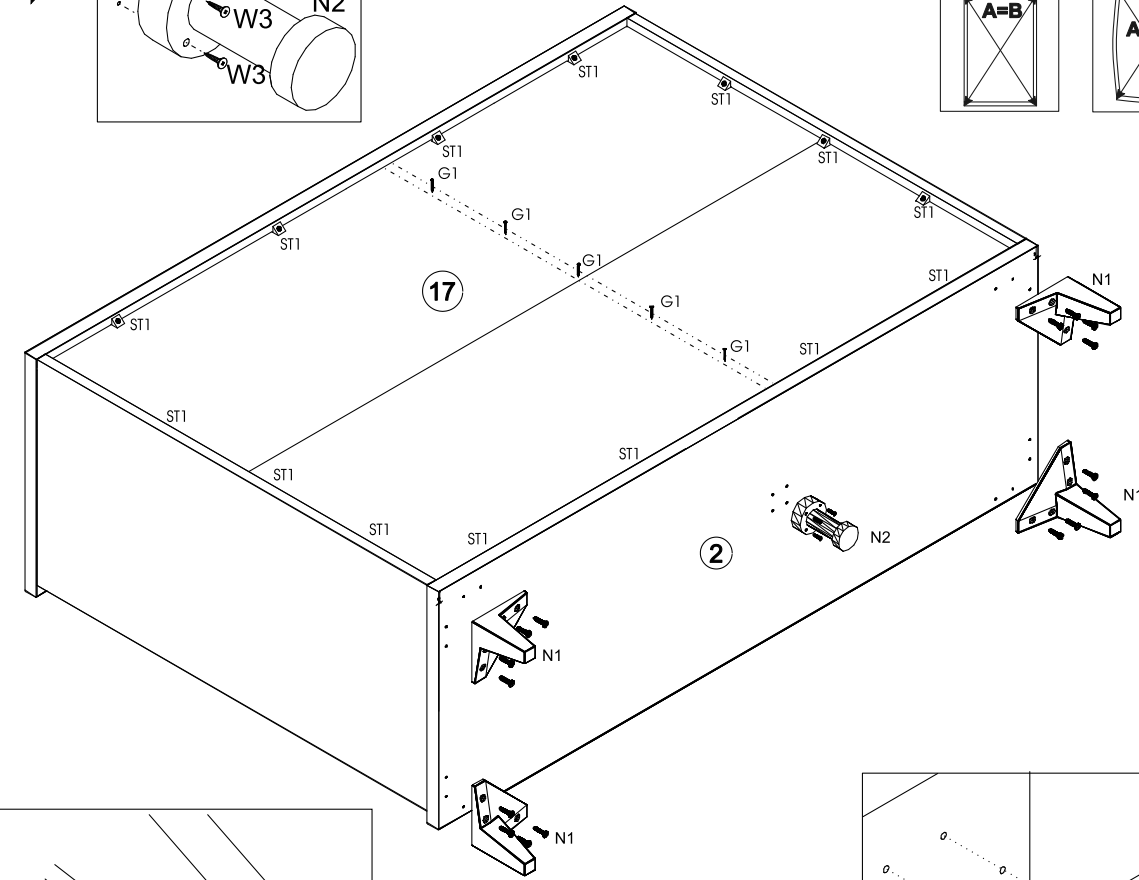
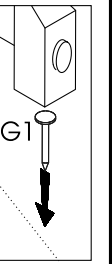
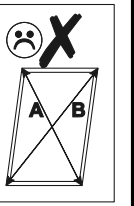
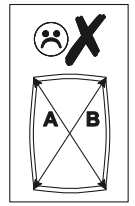
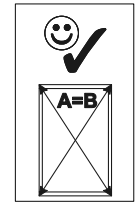
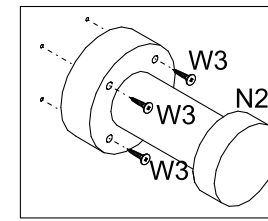
# MODELL: SB3



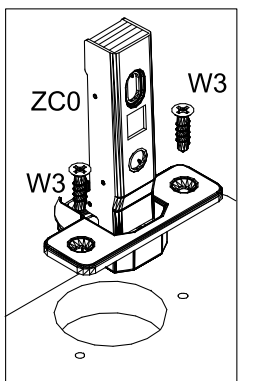
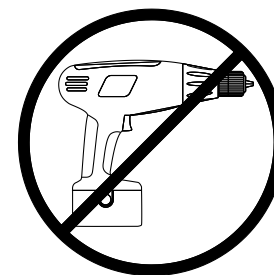
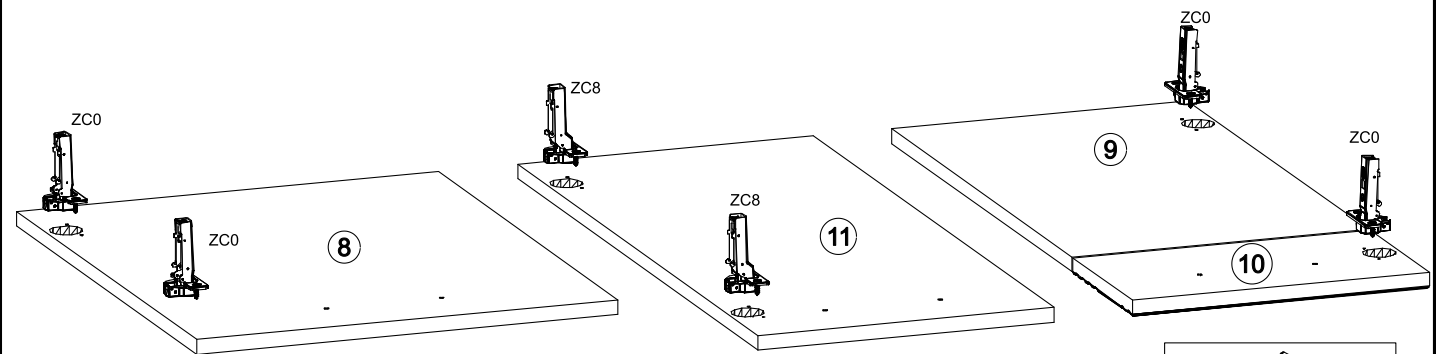
4x	16x	2x	1x						
ZC0	5x20	W5	ZC8	N2					
20x	16x	14x	1 kpl.	4x	14x	6x	8x	4x	
#20/863	3.5x16	W3	#350	PK3	#14/863	ZN2	3x20	W9	H=0
									PRO
									4x27
									WP3
									N1
4x	16x	4x	1x	20x	20x	4x	10x	8x	
6.4x50	8x30	K1	U 1	K20	#15/15	M1	DU232T	T1	B1
									2x20
									G1
									5x11
									E1



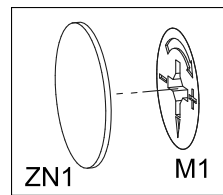
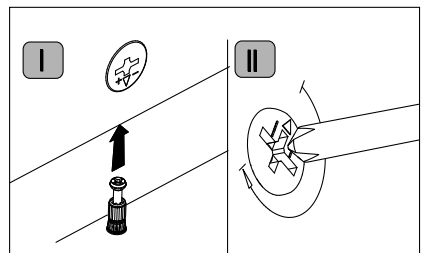
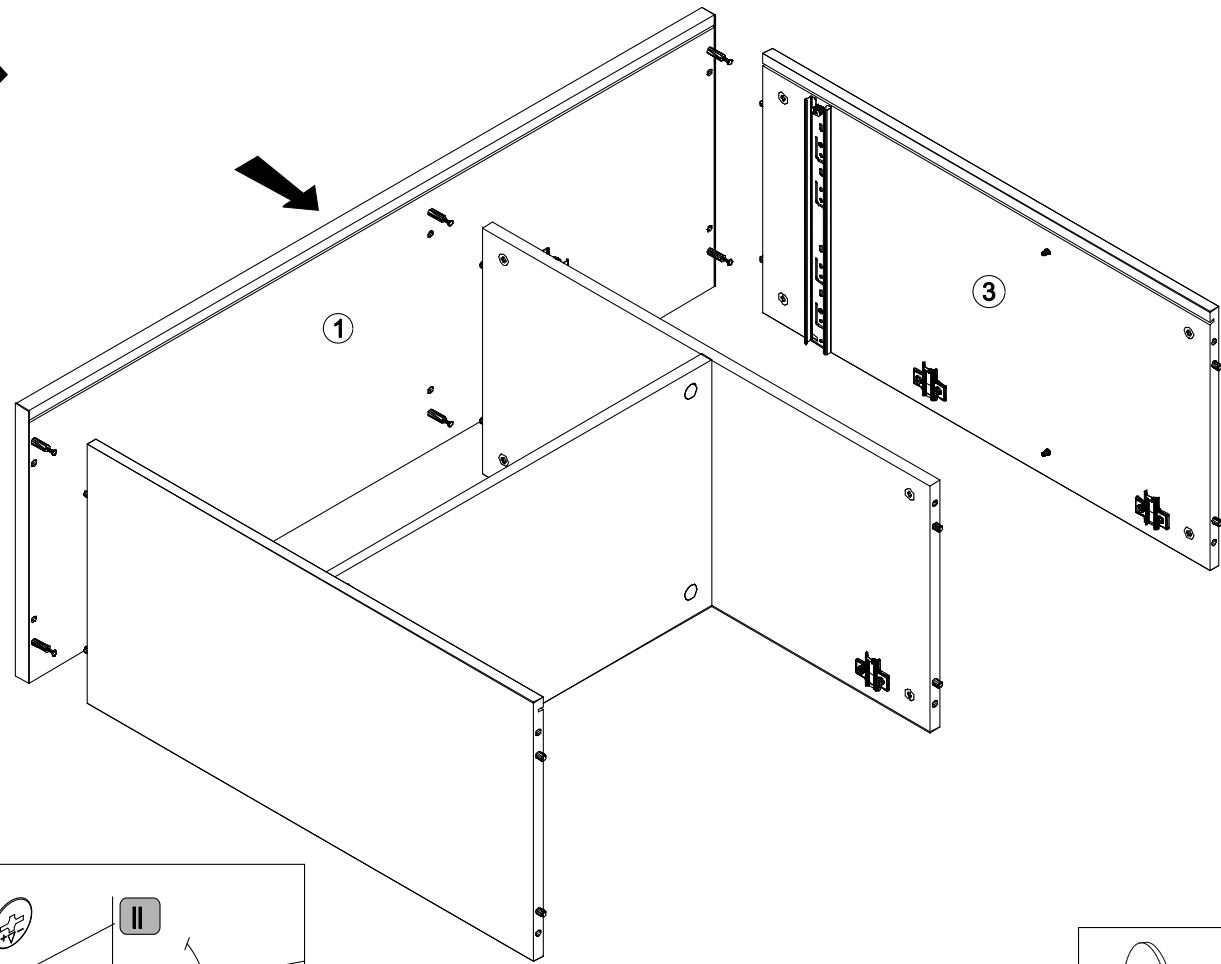
7



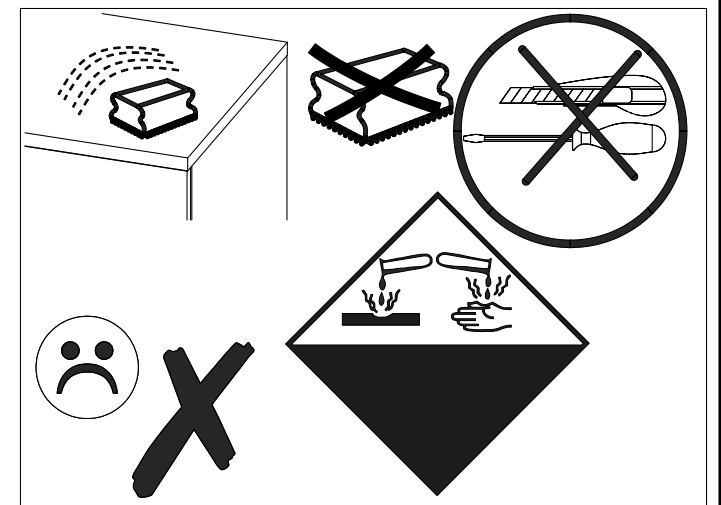
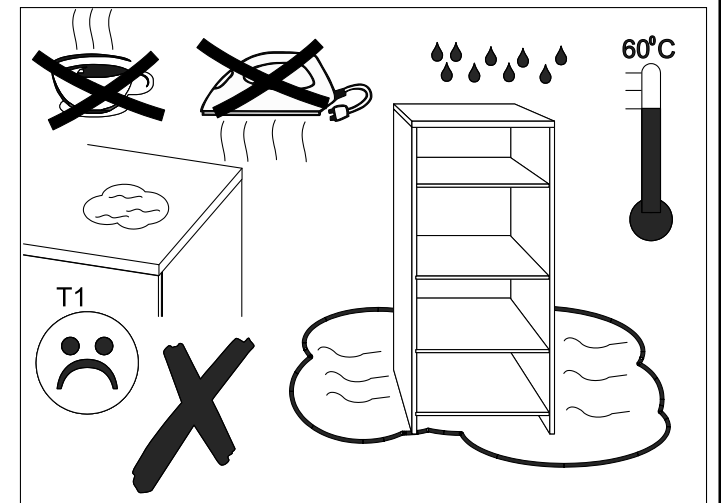
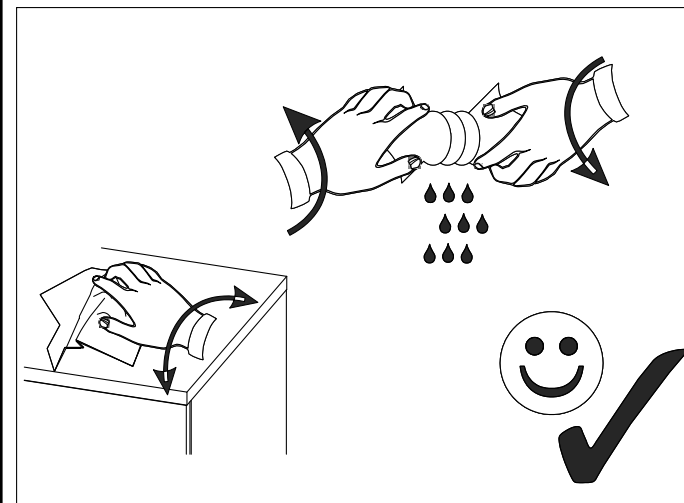
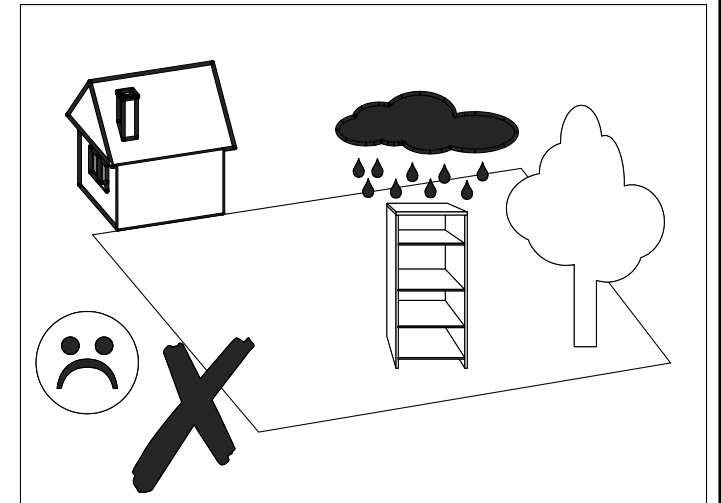
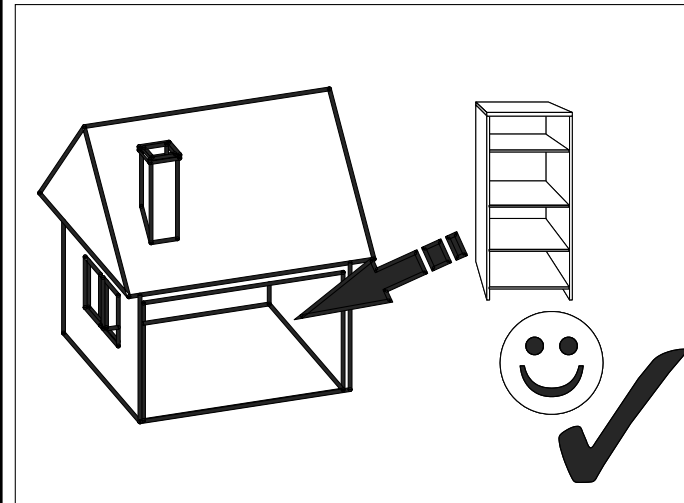
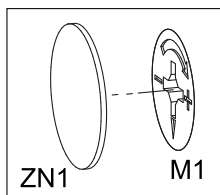
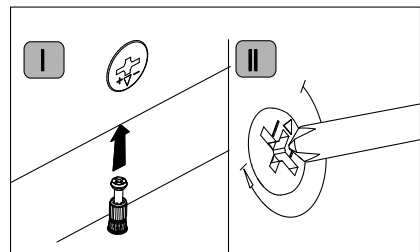
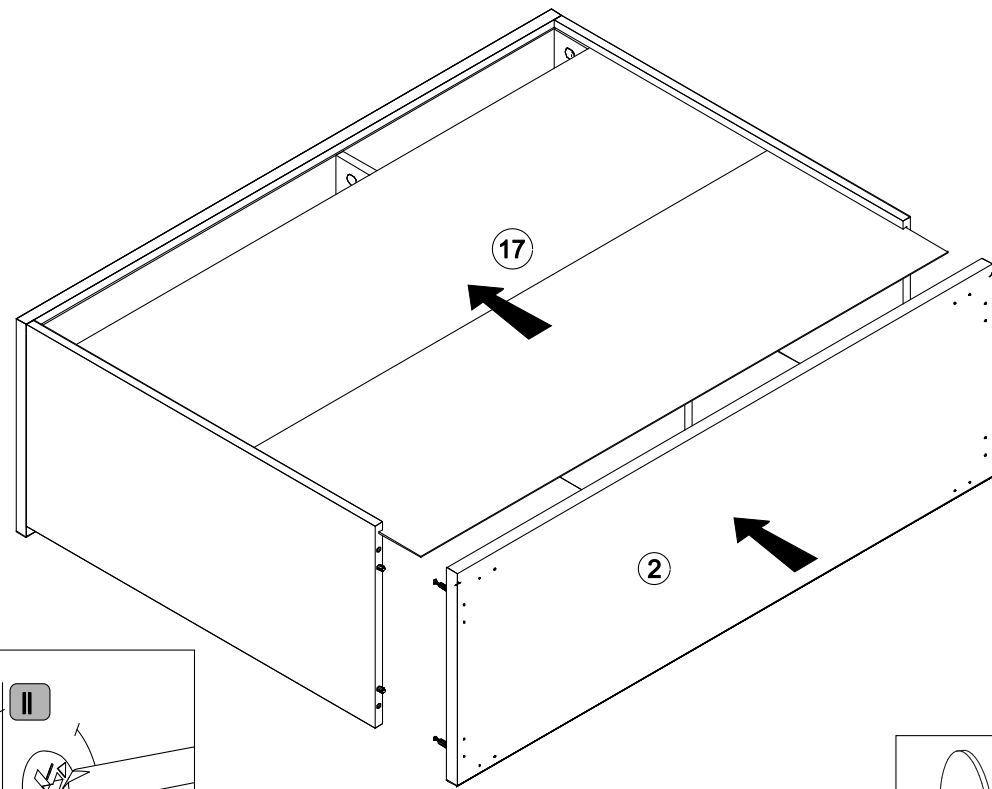
8



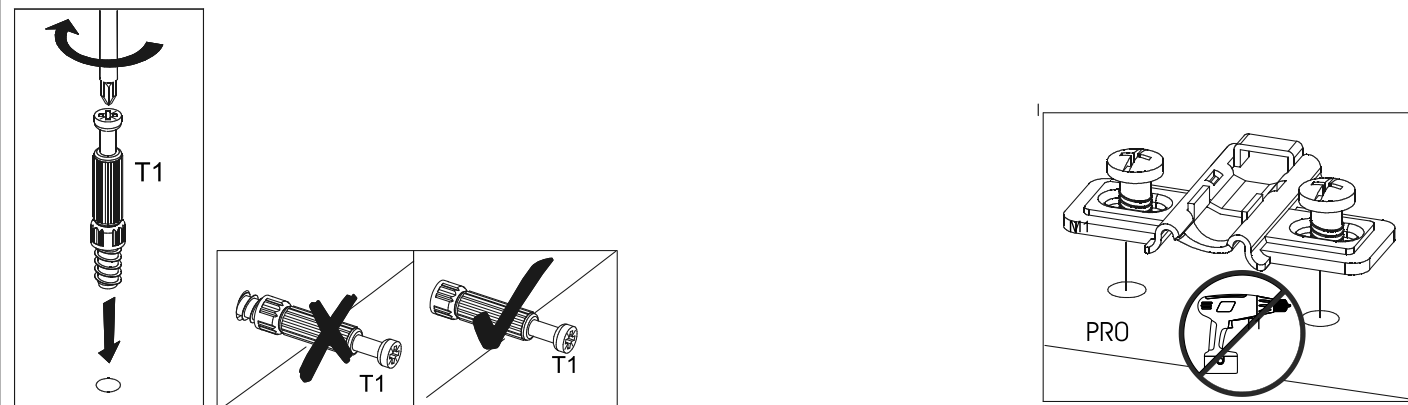
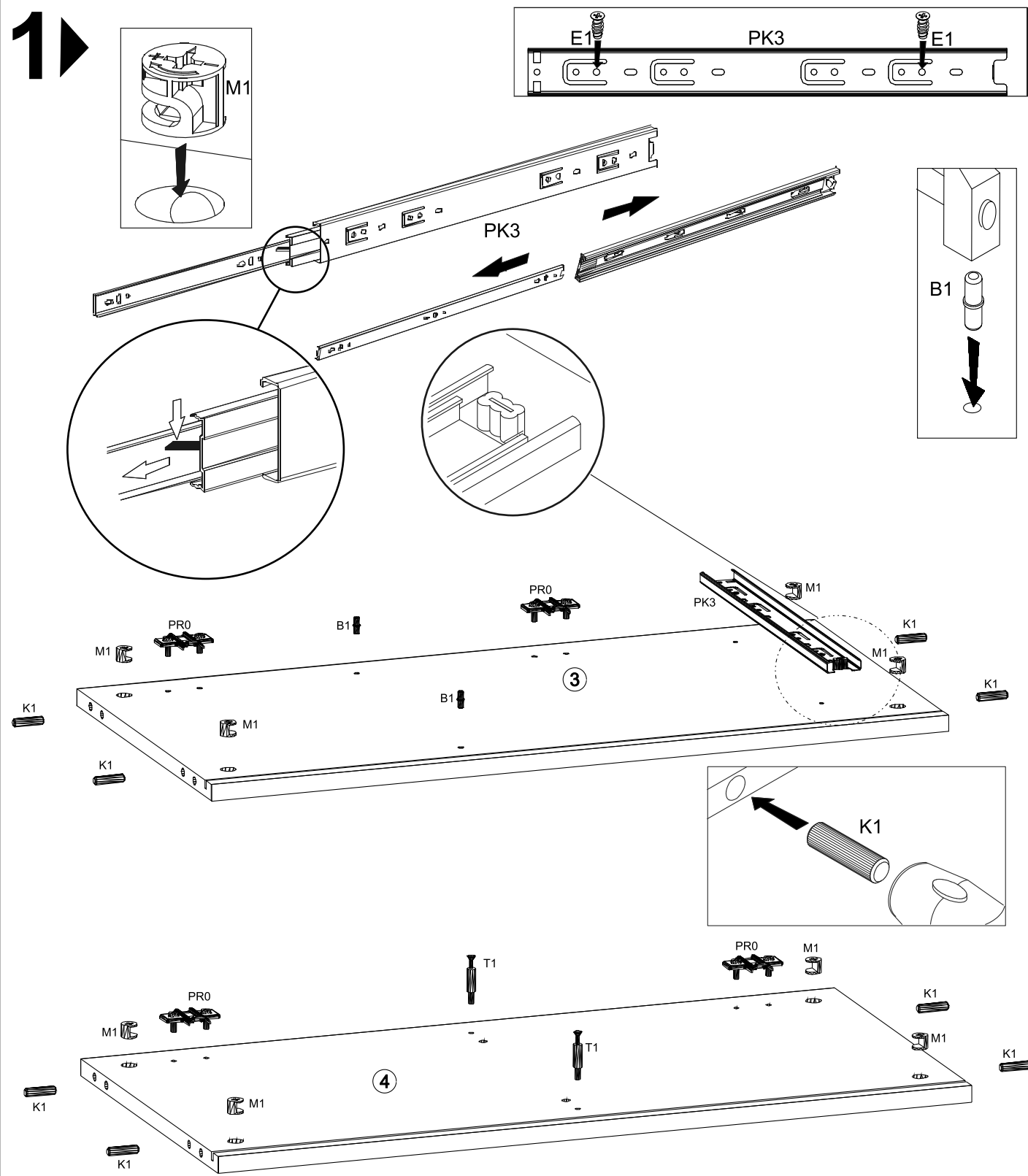
5



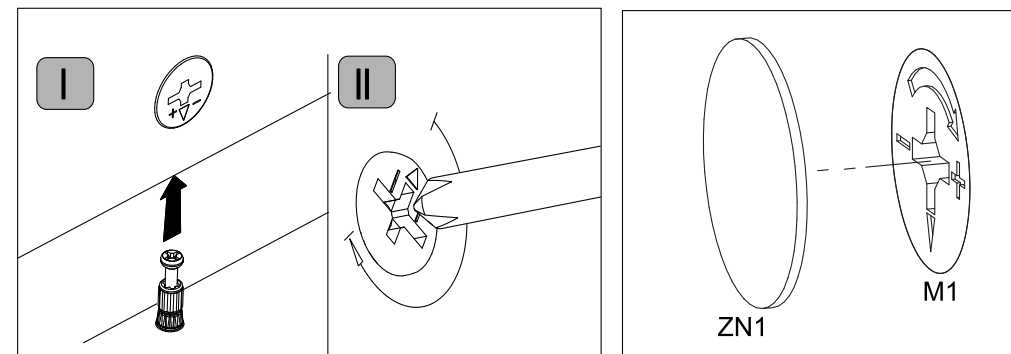
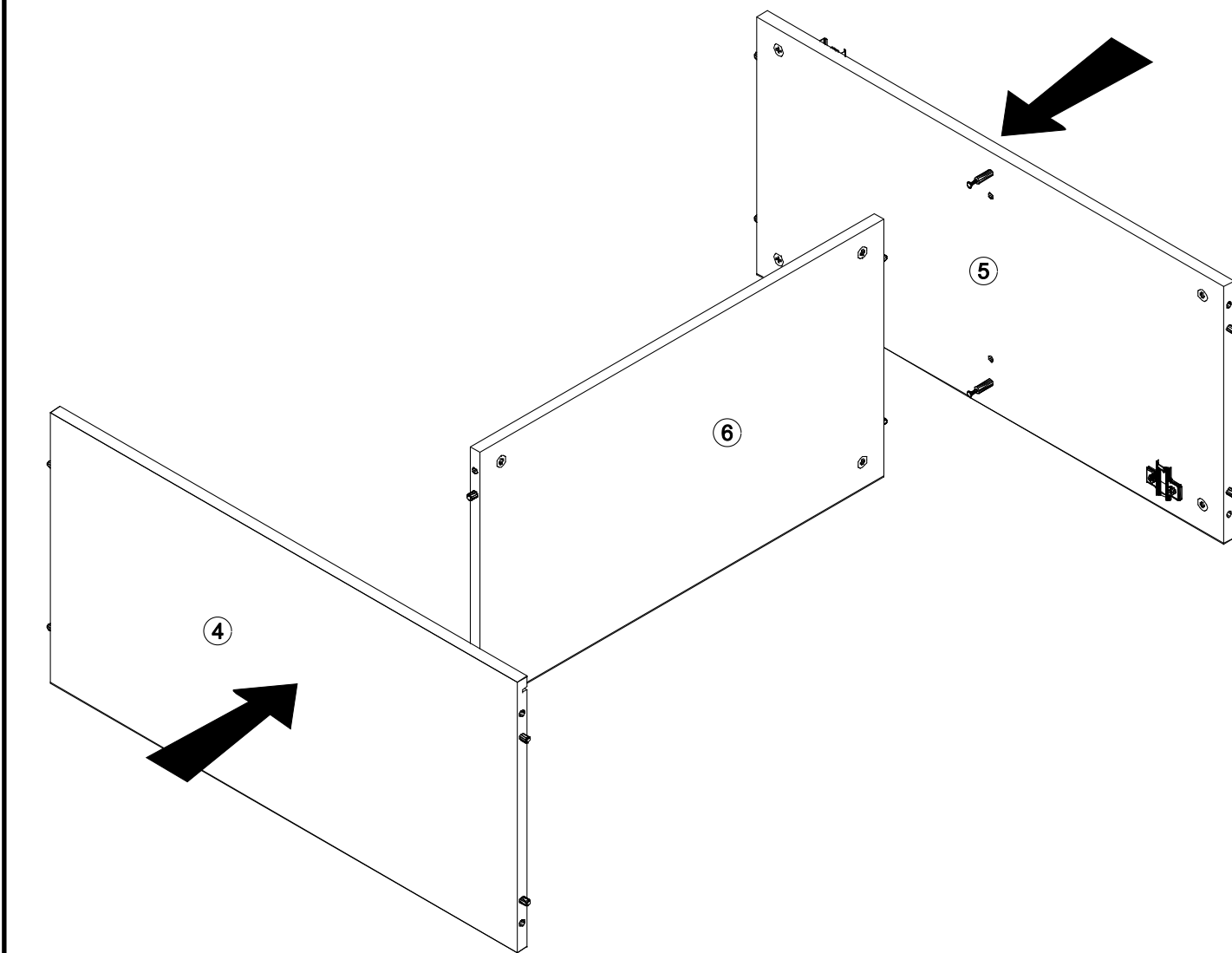
6



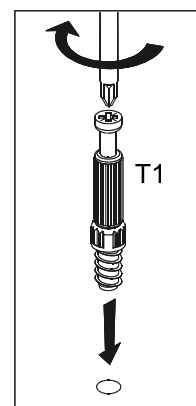
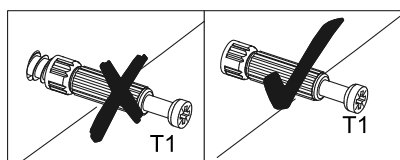
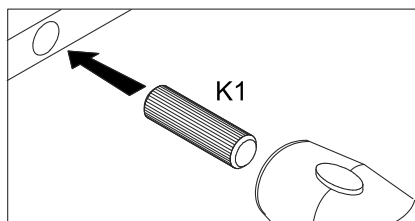
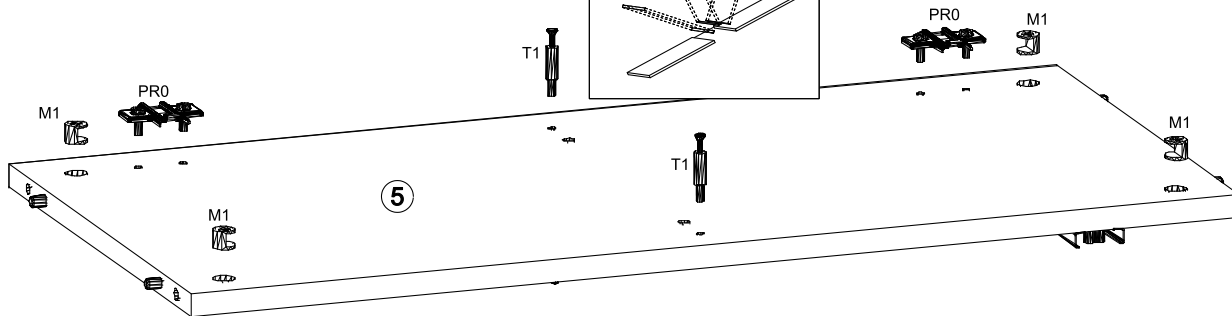
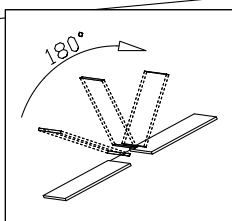
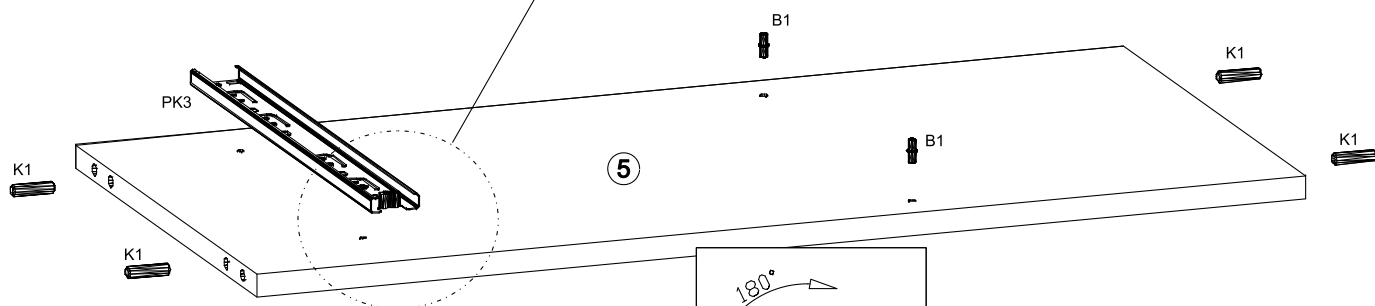
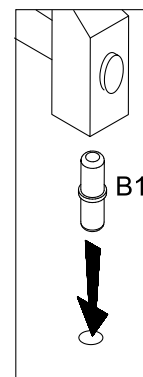
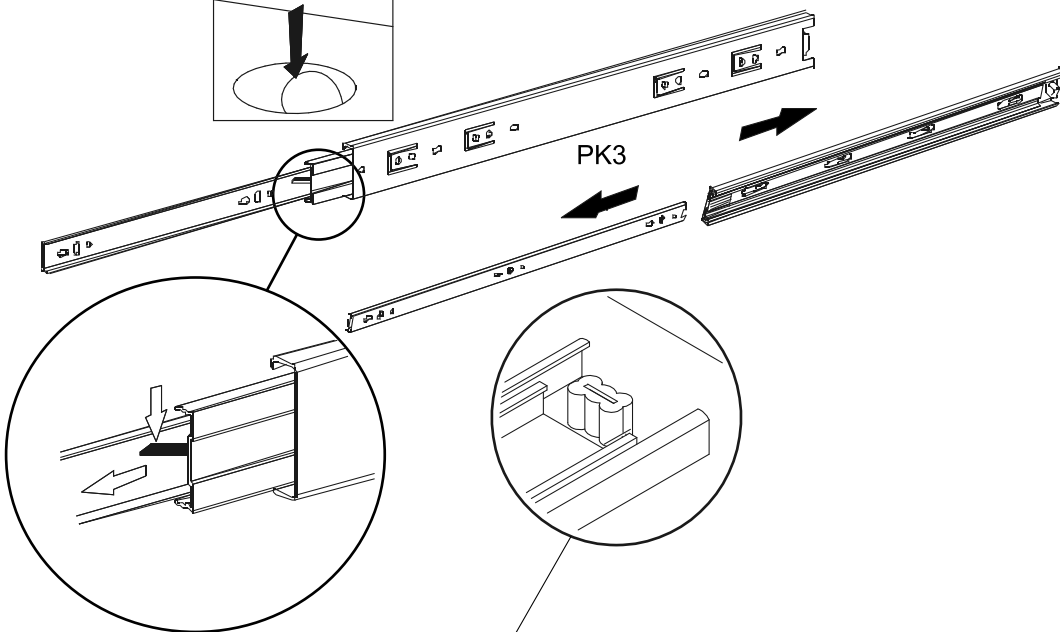
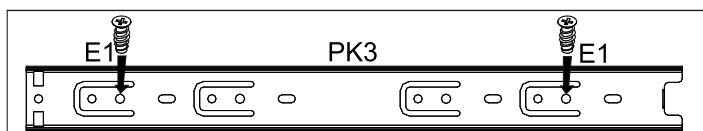
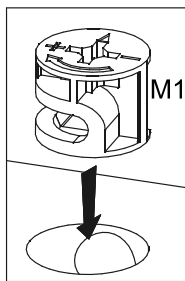
1



4



2



# 3 ▶

