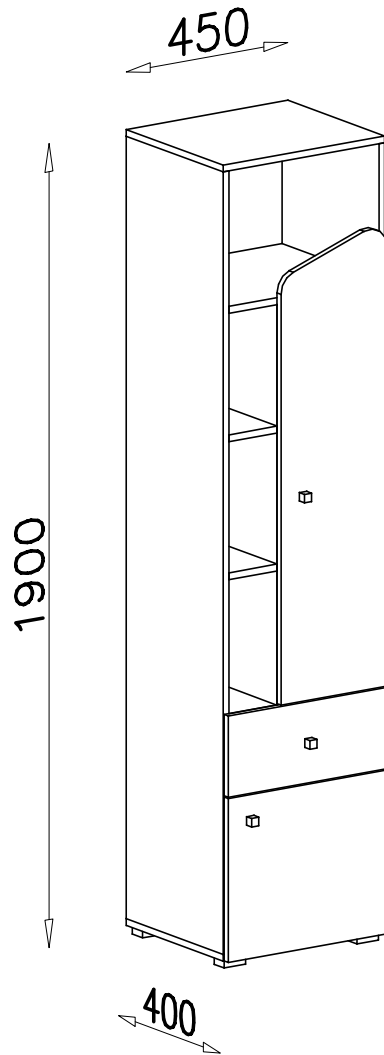
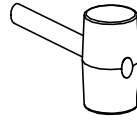
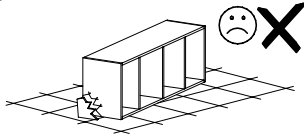
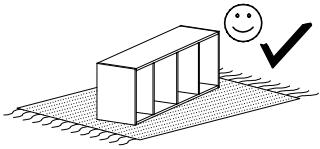
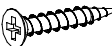
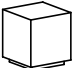
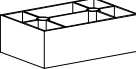



# DELTA DL4




**G12**  
  
 3,5x25 x8


**E38**  
  
 x3

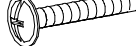
**P15**  
  
 x4


**A1**  
  
 ø7x50 x10

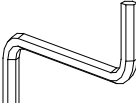
**W1**  
  
 GLUE, LEIM, LEPIDLO, LIM  
 x2


**G4**  
  
 4x16 x14

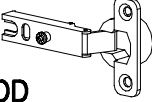
**B7**  
  
 ø8x30 x28

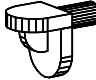
**N13**  
  
 M4x22 x3

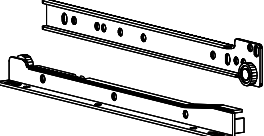
**G2**  
  
 3x20 x40


**W2**  
  
 x1

**D3**  
  
 PZ35PR x4

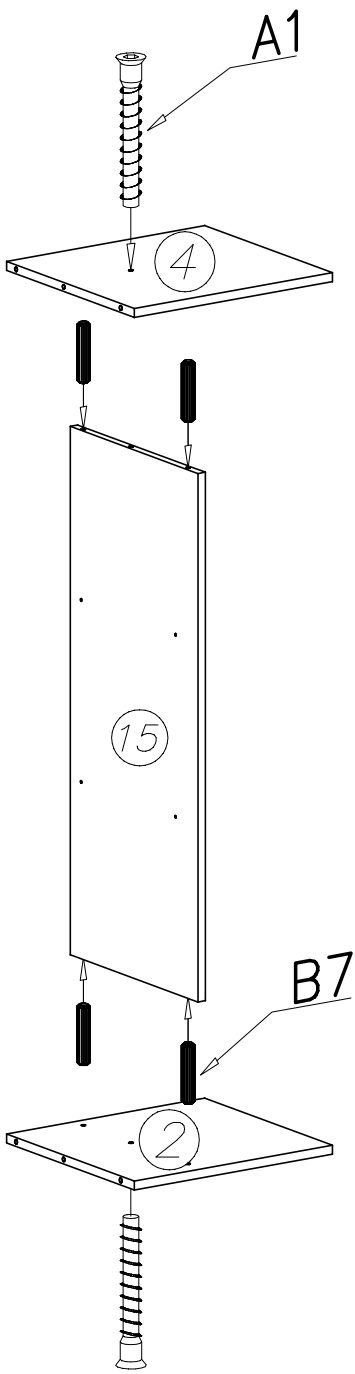
**C3**  
  
 Z350D x4

**F1**  
  
 x16

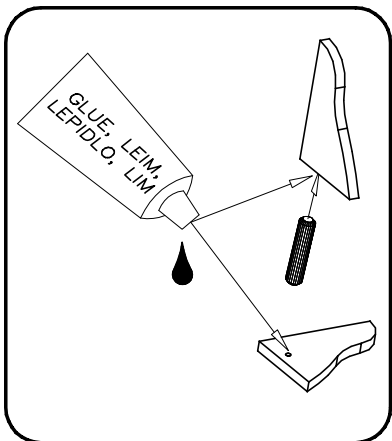
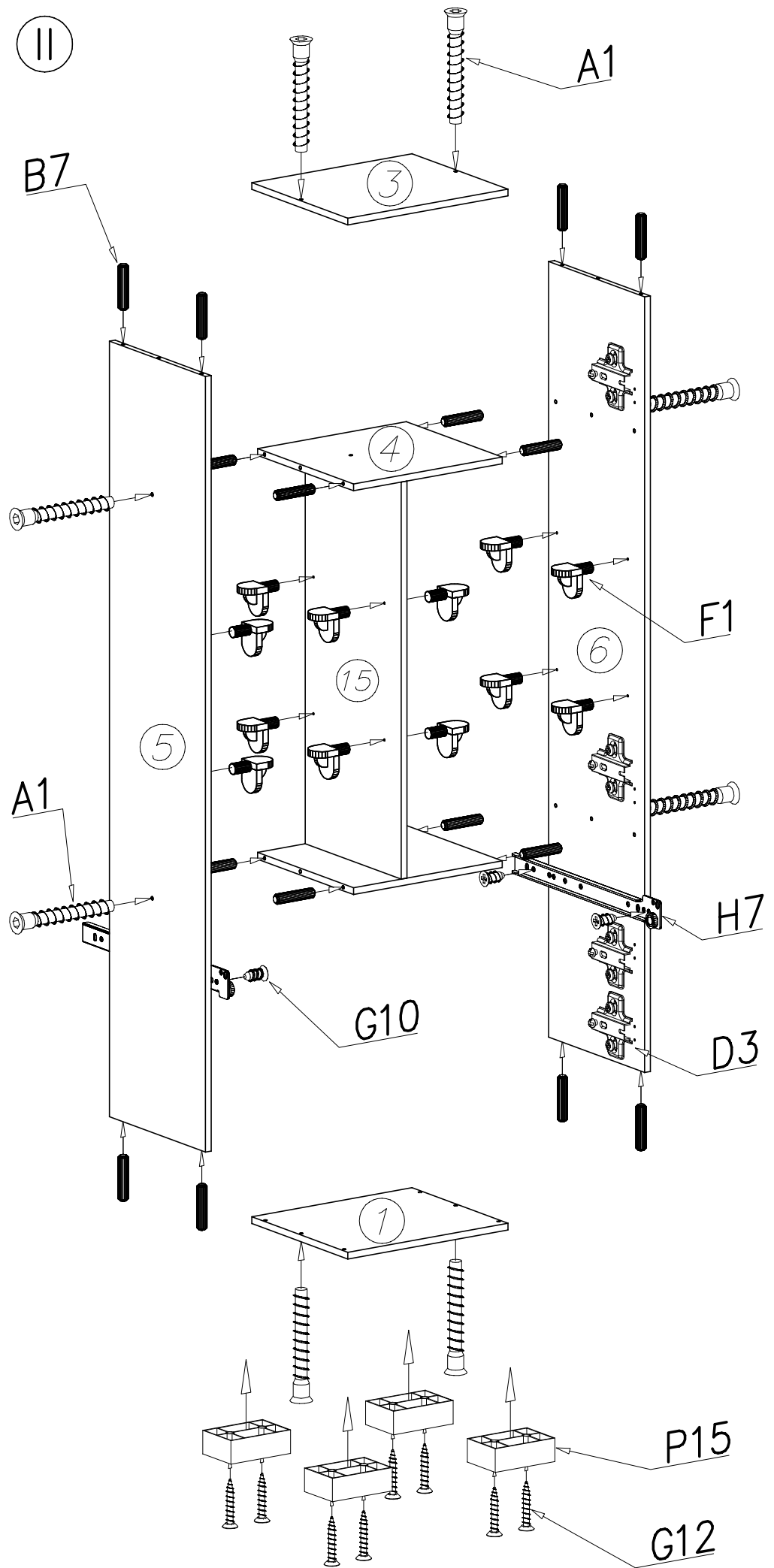
**H7**  
  
 350mm x1

**G10**  
  
 6x13 x4

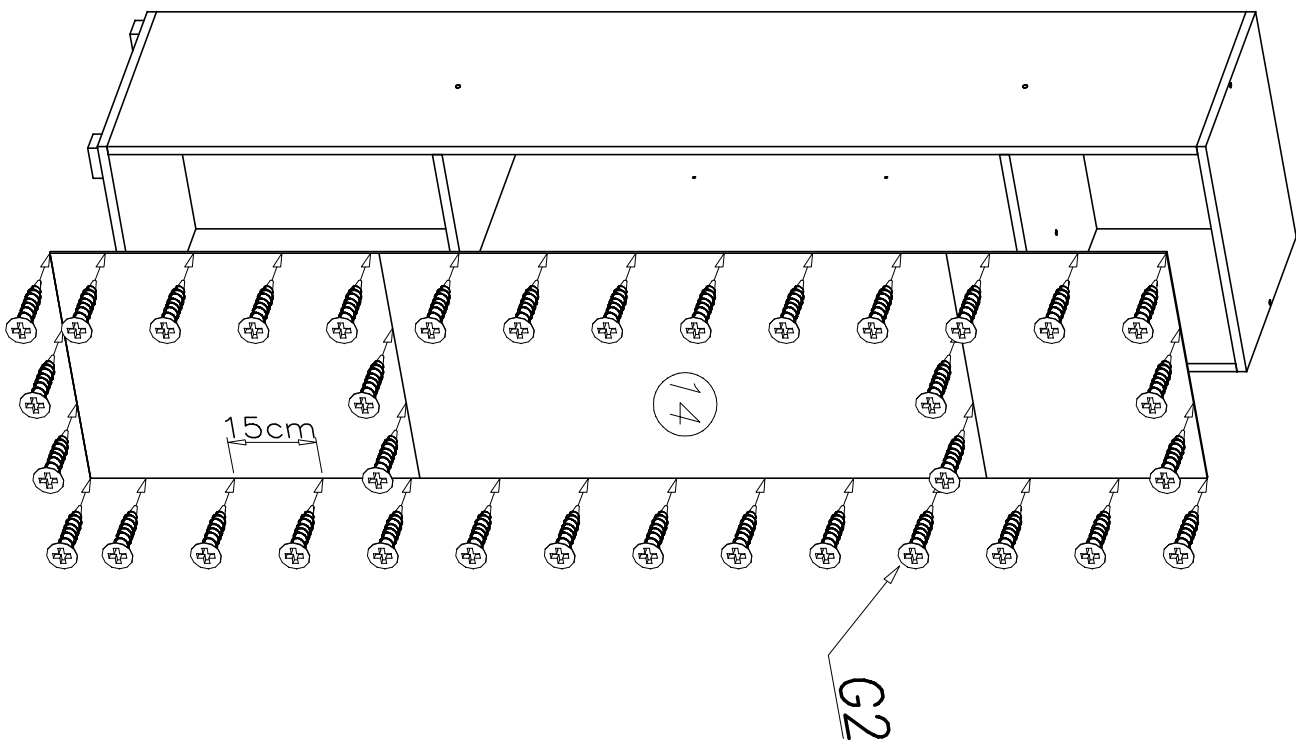
I



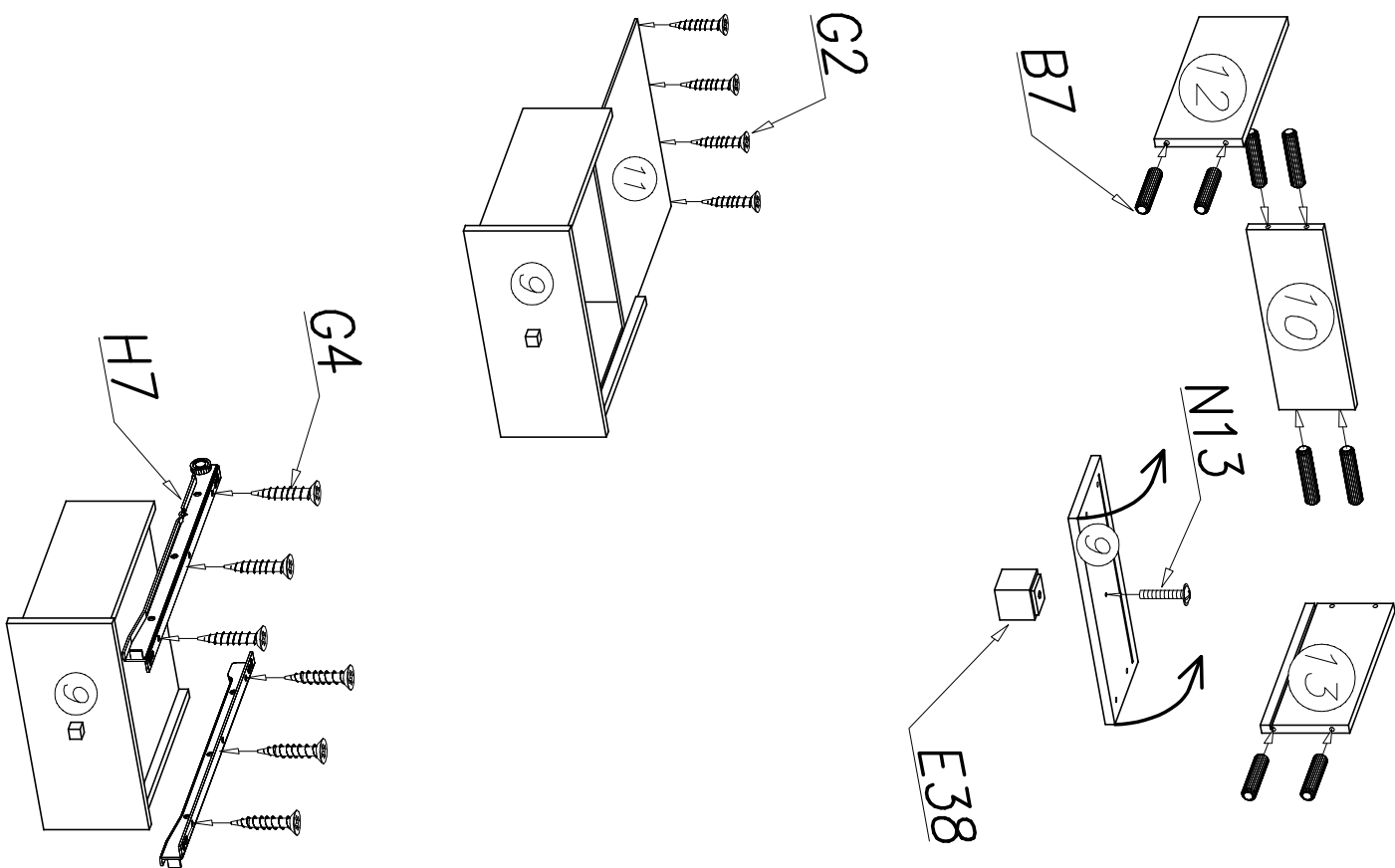
II



III



IV



V

