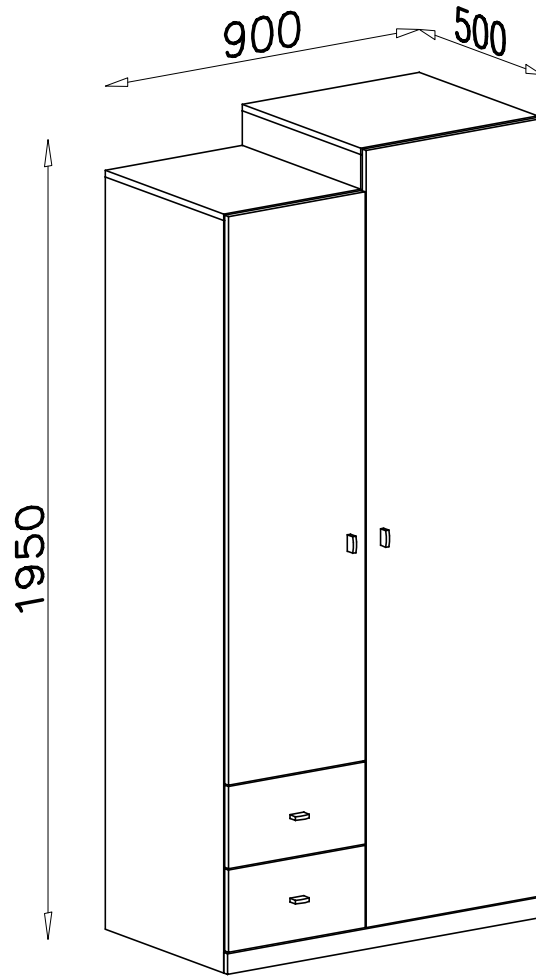
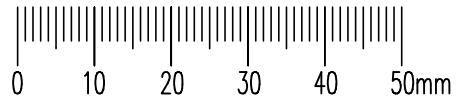
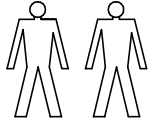
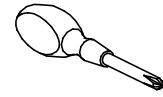
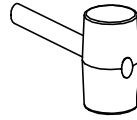
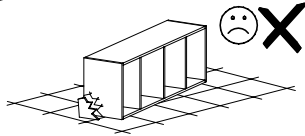
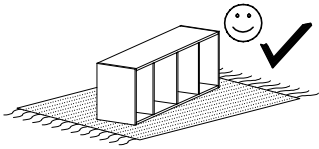



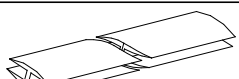
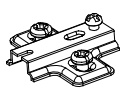
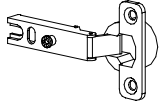
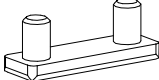

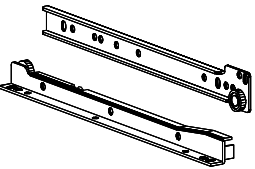

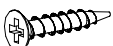
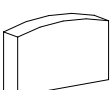
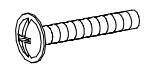

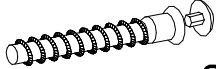

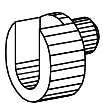
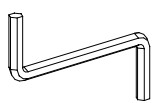
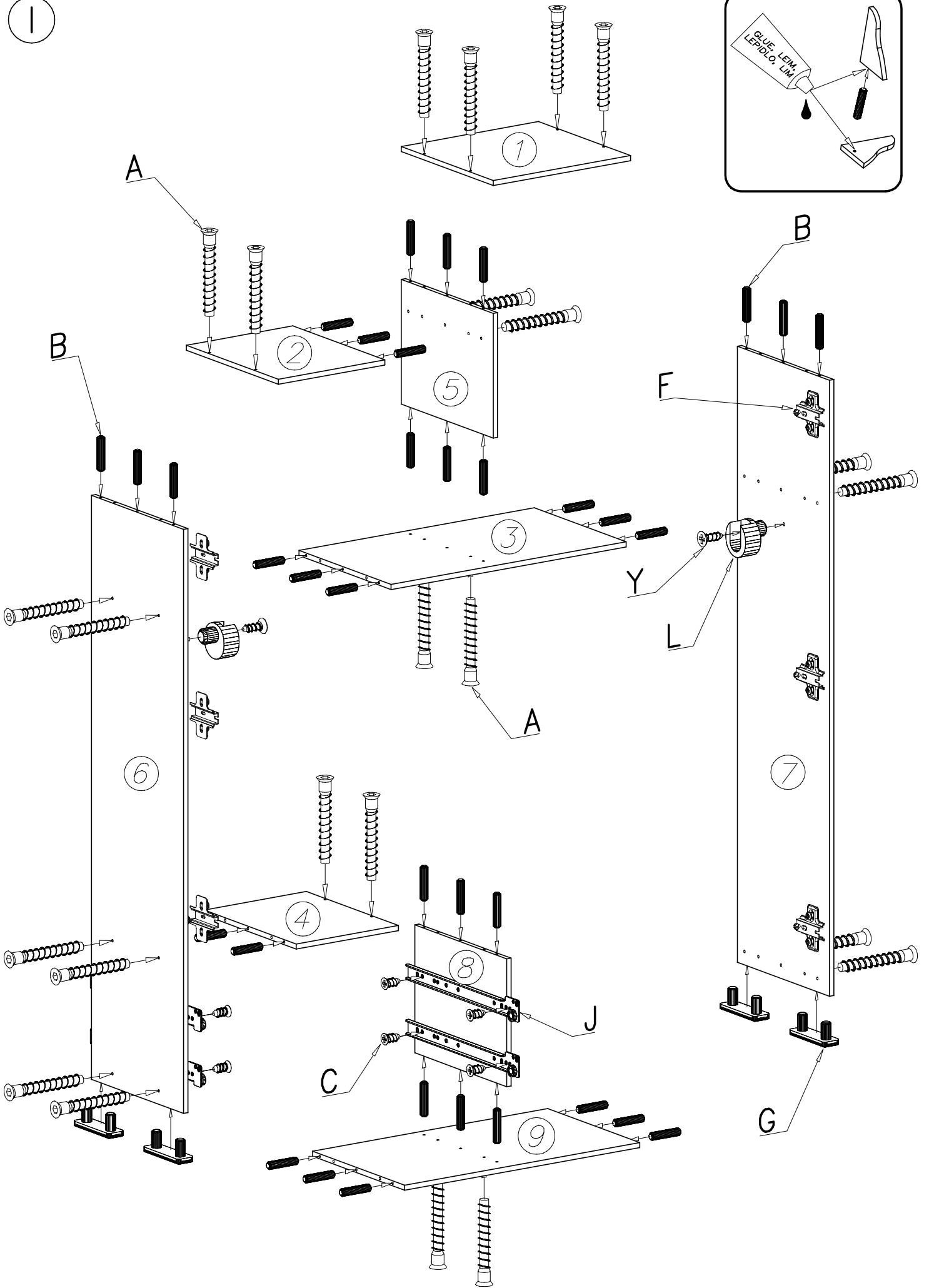
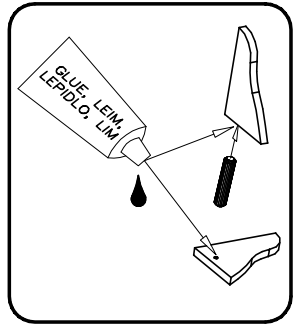


TABLO TA 3

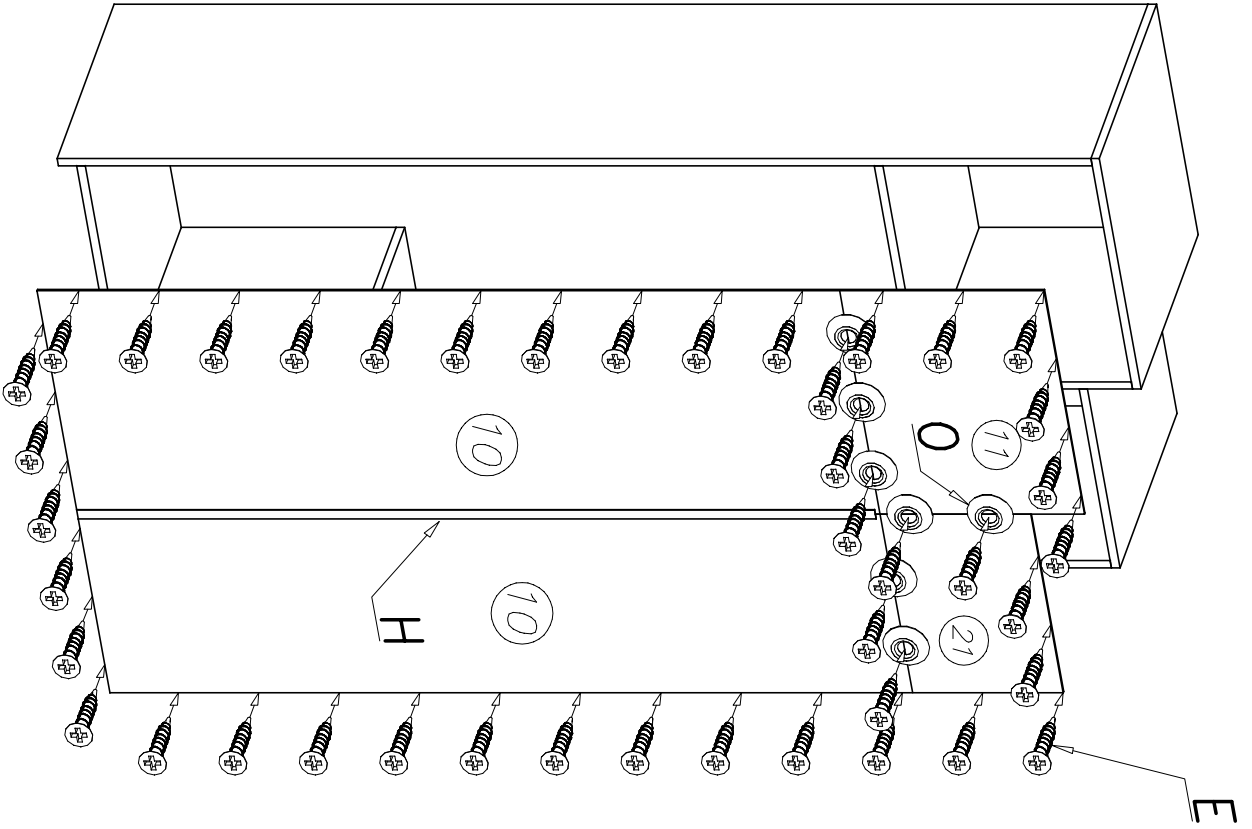


Y  3 x 13 x2	T  4 x 16 x24	O  x11	H  1563mm x1	
F  x6	D  x6	G  x4	C  6 x 13 x8	J  40cm x2
W  x3	E  3 x 20 x80	U  x4	N  M4 x 22 x8	S  858mm x1
A  x24	B  x56	L  x2	Z  x1	

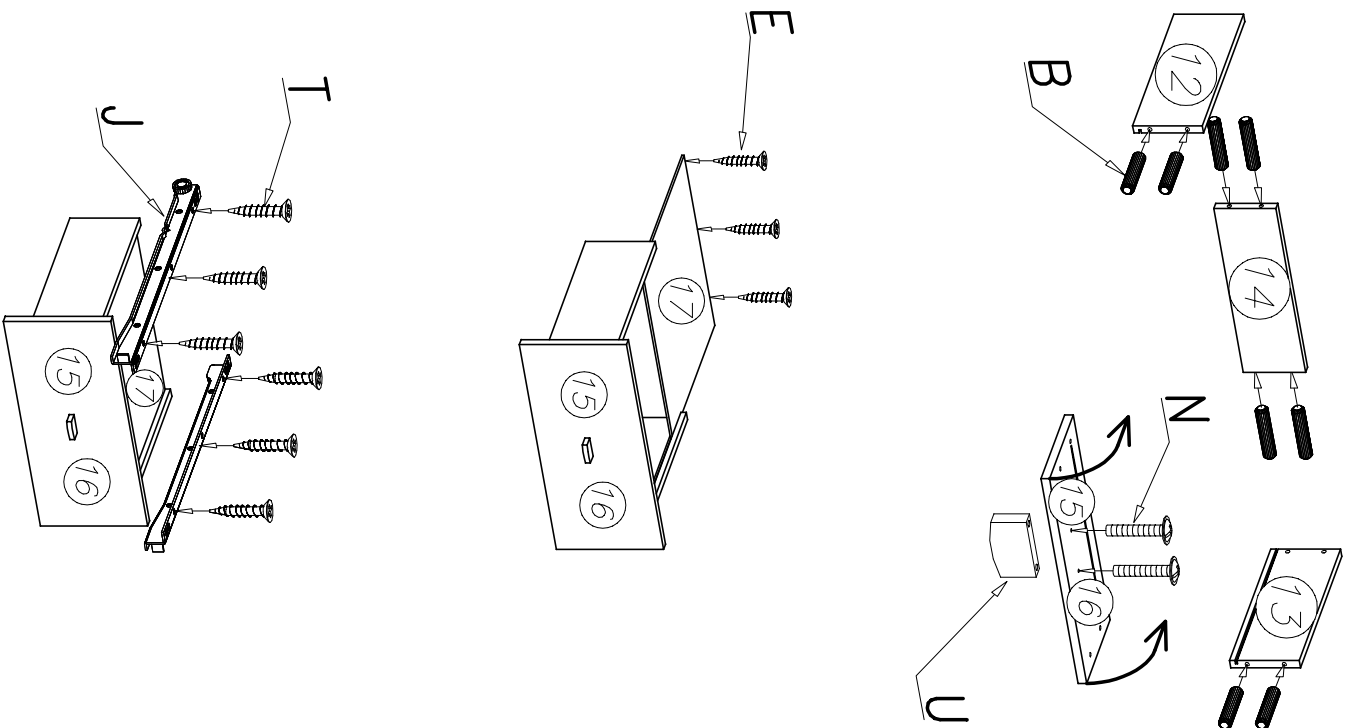
I



II



III



IV

