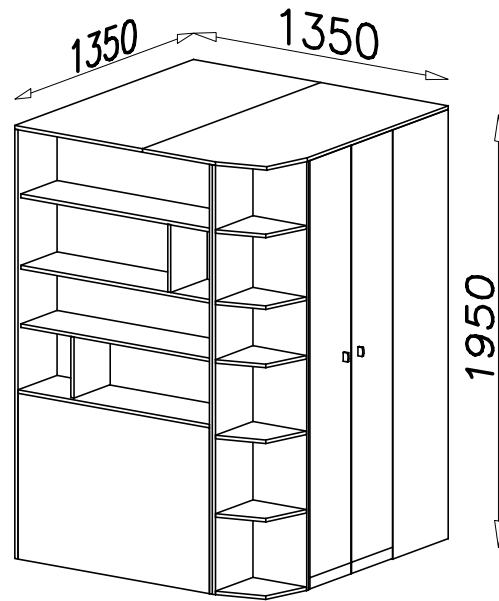
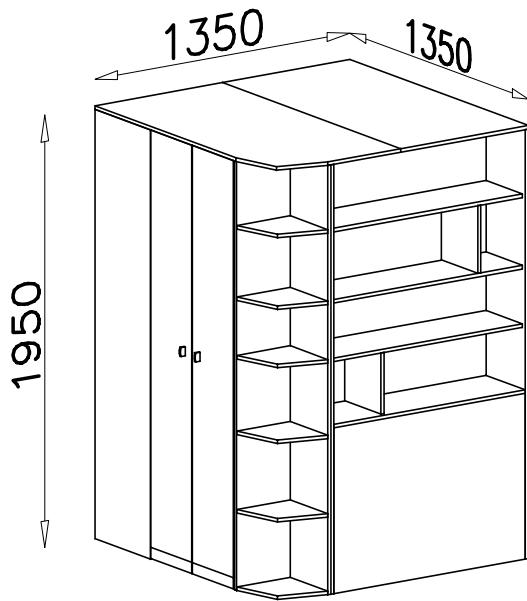
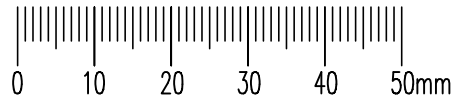
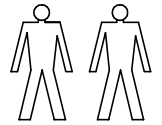
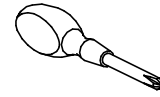
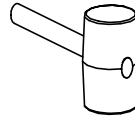
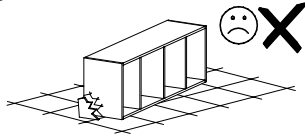
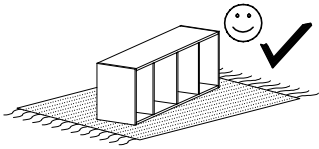

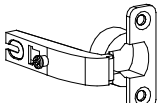
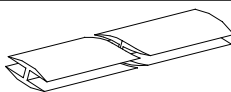
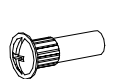

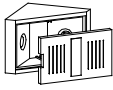



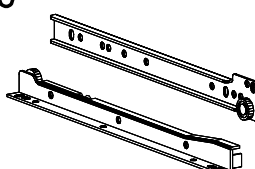

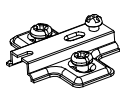
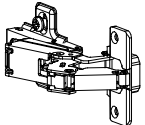
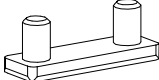
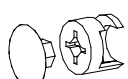


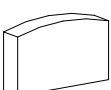
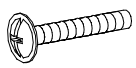
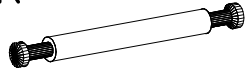
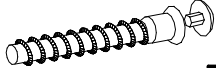

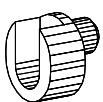
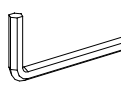

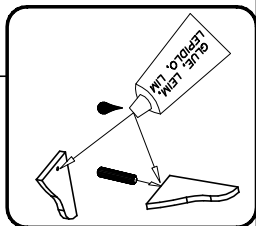
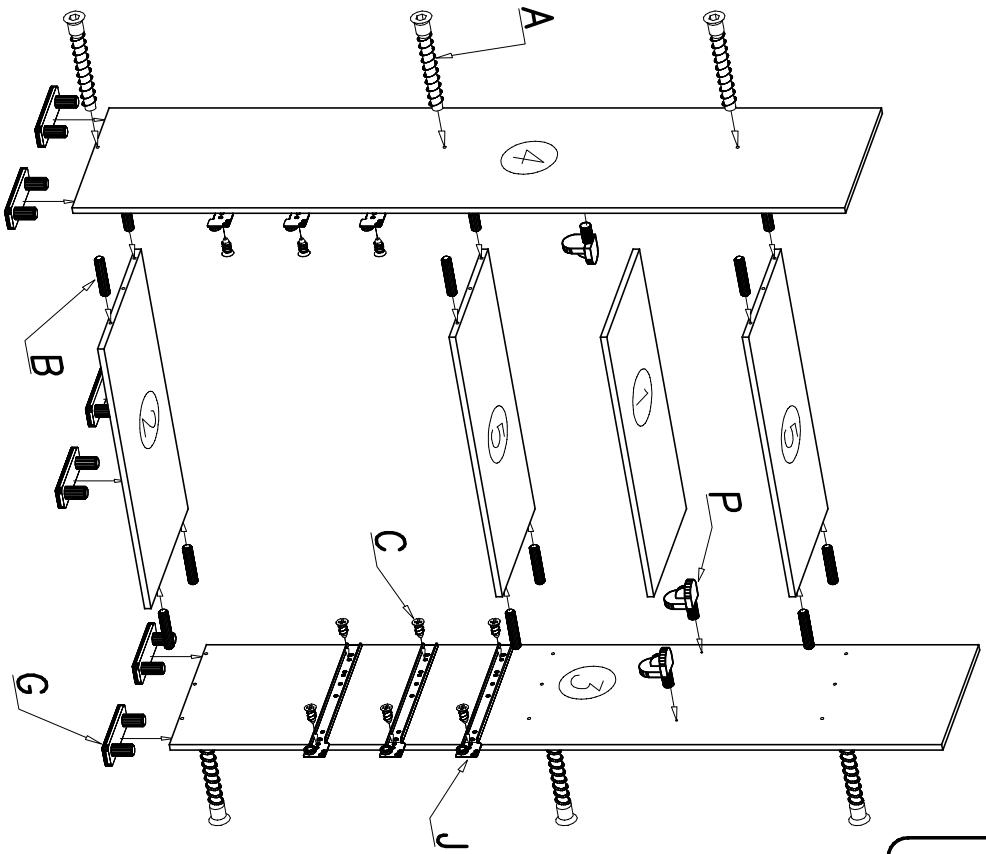


# TABLO TA 1

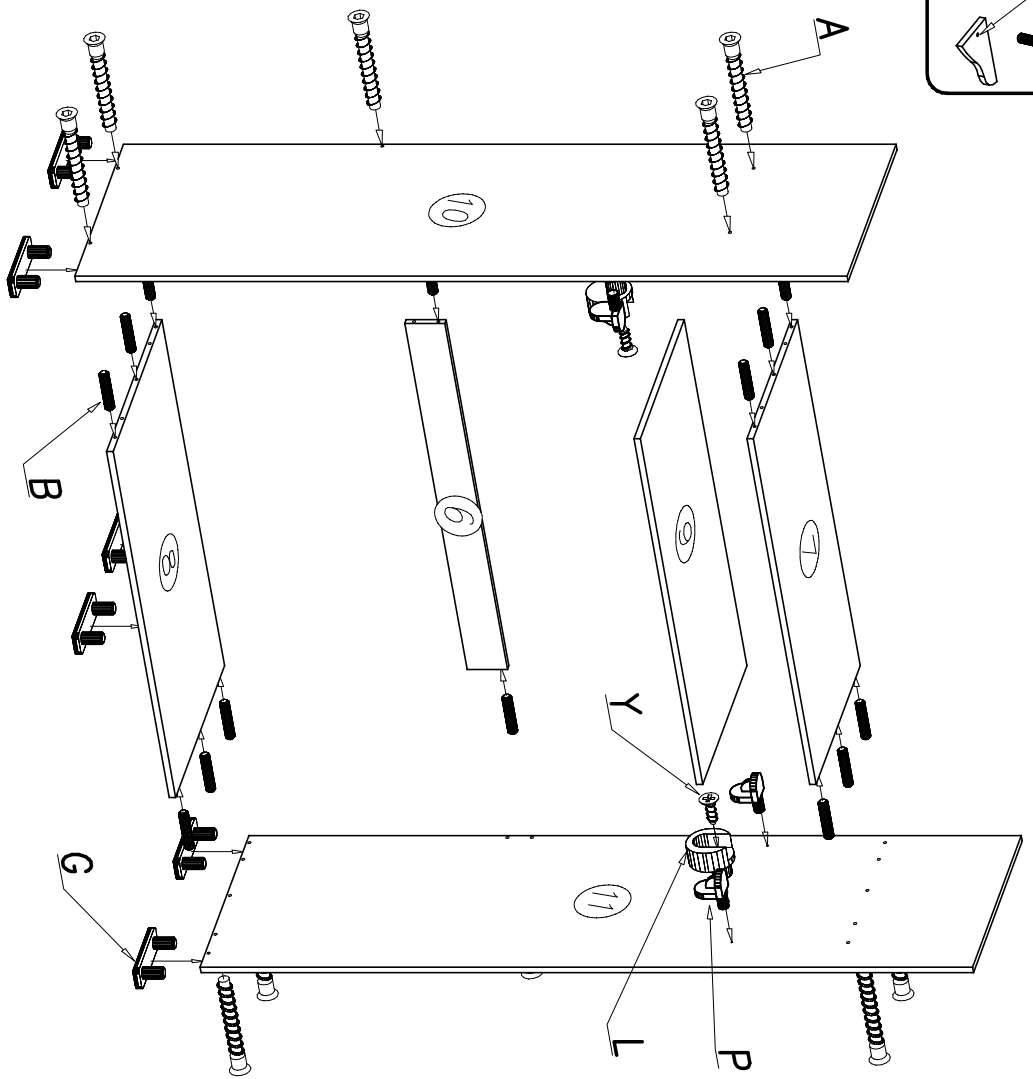


				K  3x16 x6
M  x3	H  1910mm x2	V  x2	X  1,6x16 x60	Q  x1
Y  3x13 x2	P  x18	T  4x16 x32	J  35cm x3	C  6x13 x12
F  x3	D  x3	G  x22		K  x6
W  GLUE KLEJ x7	E  3x20 x100	U  x2	N  M4x22 x4	R  x3
A  x56	B  x136	L  x2	Z  x1	S  1004mm x1

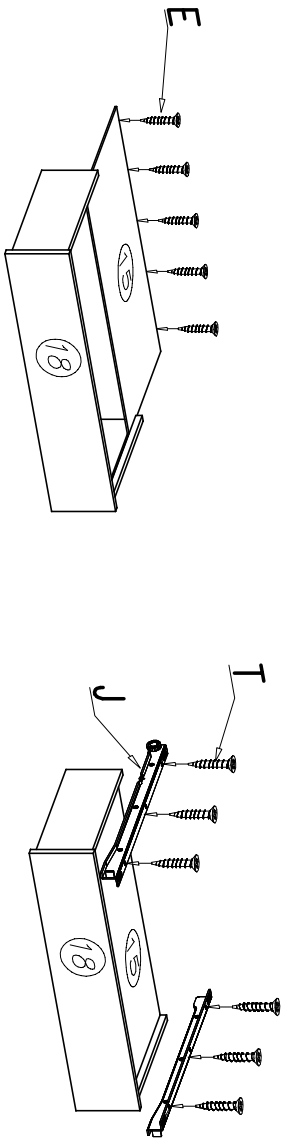
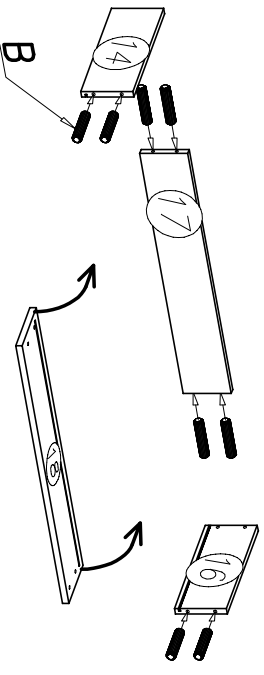
1



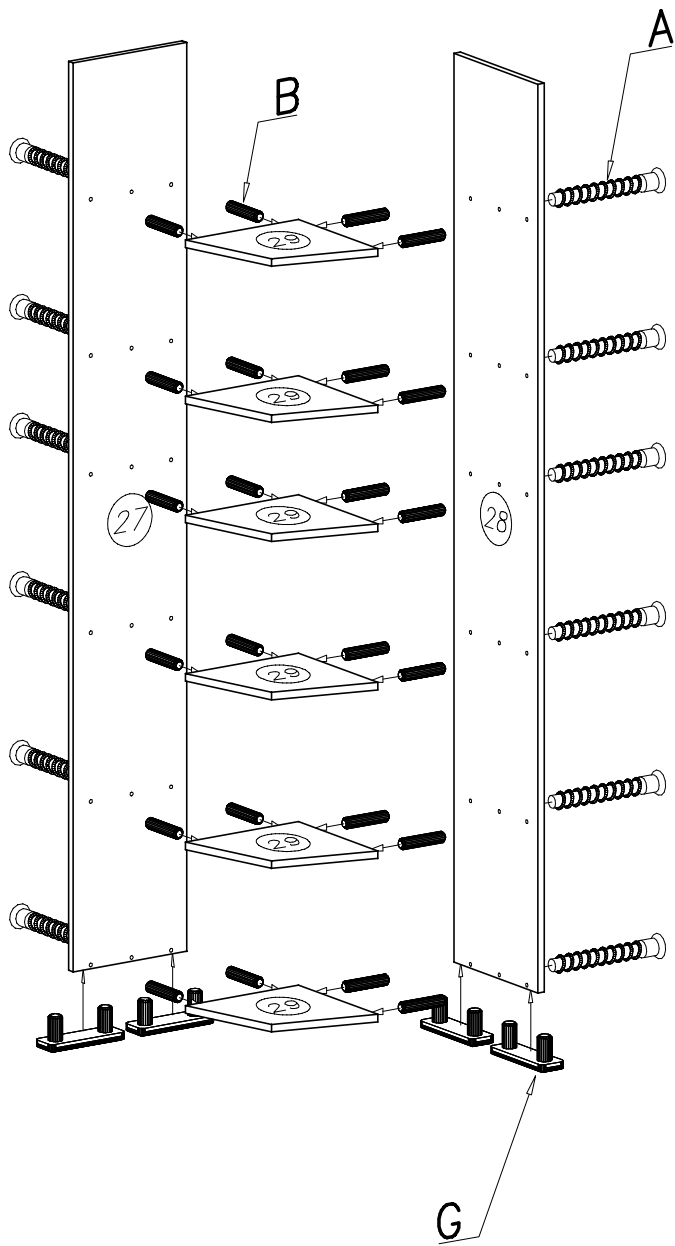
II



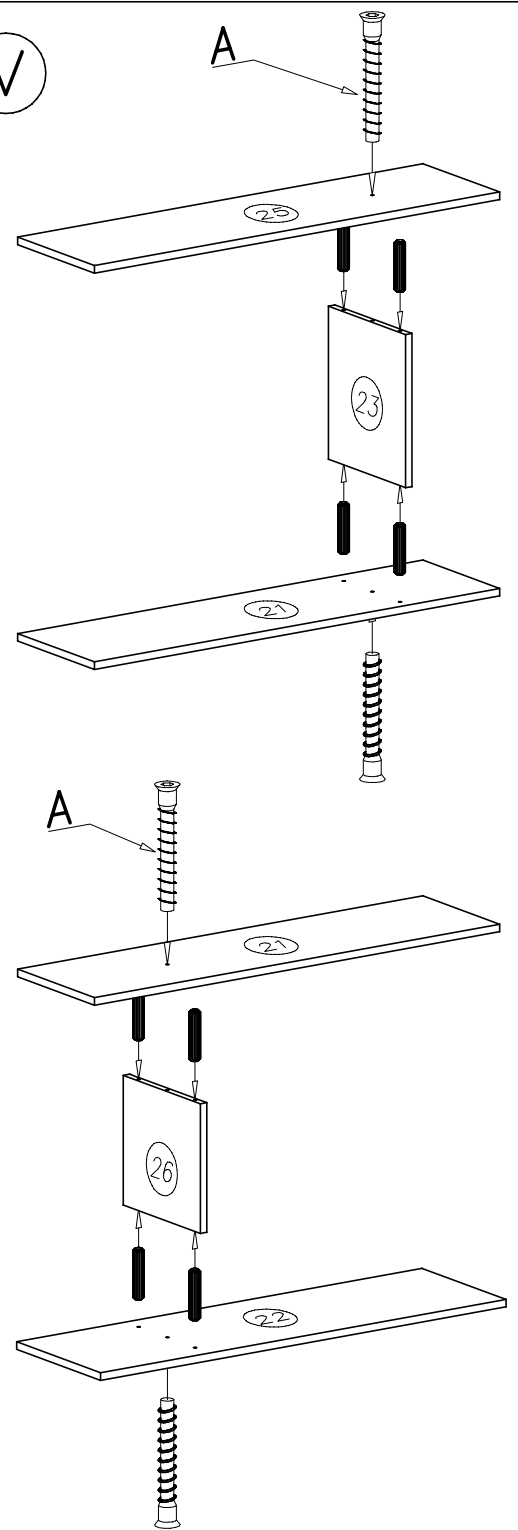
III



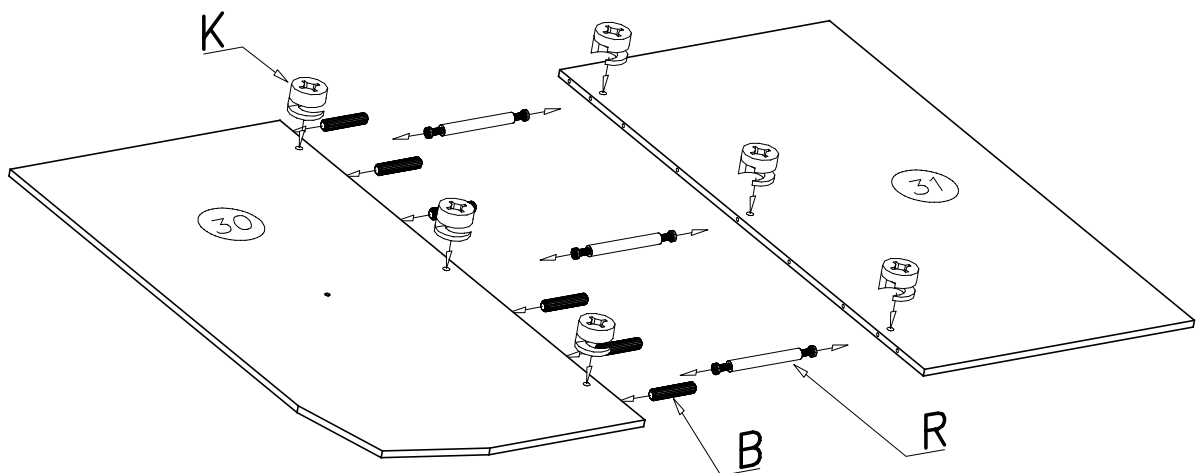
IV



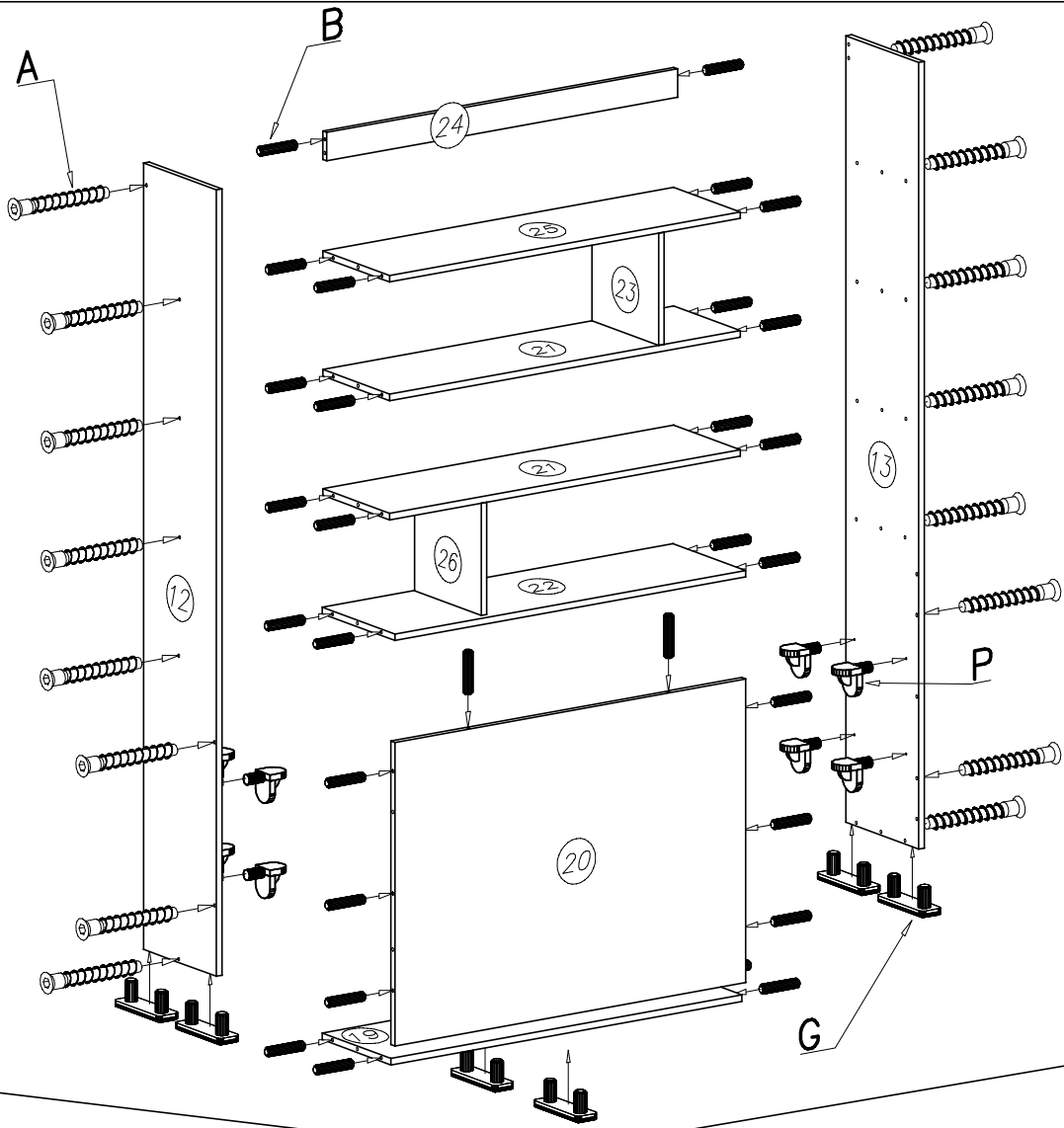
V



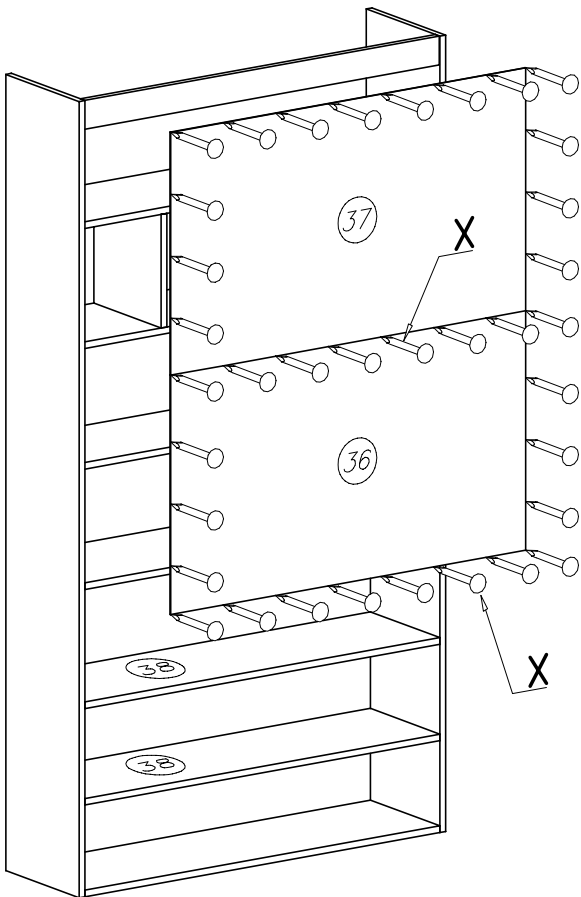
VI



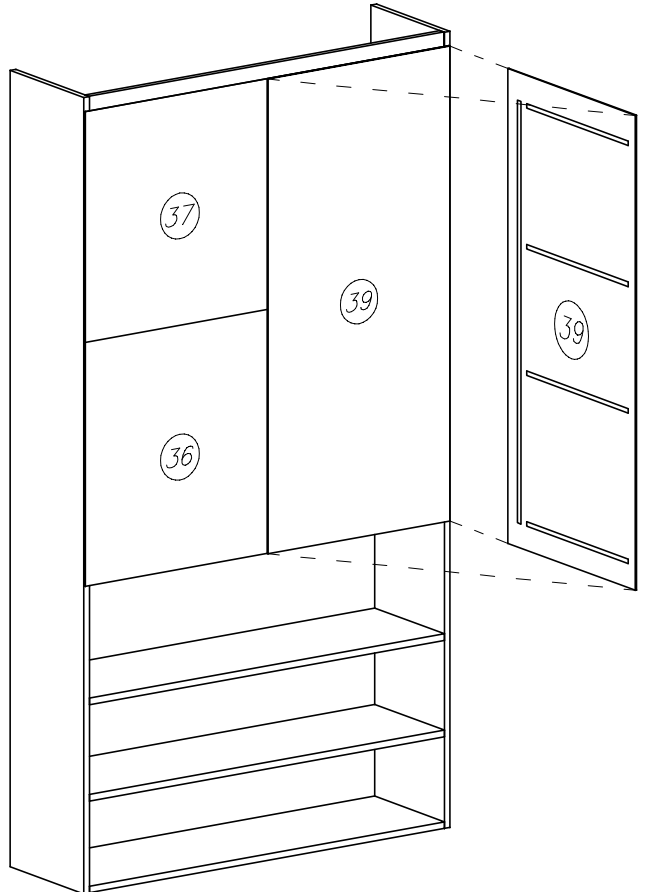
VII



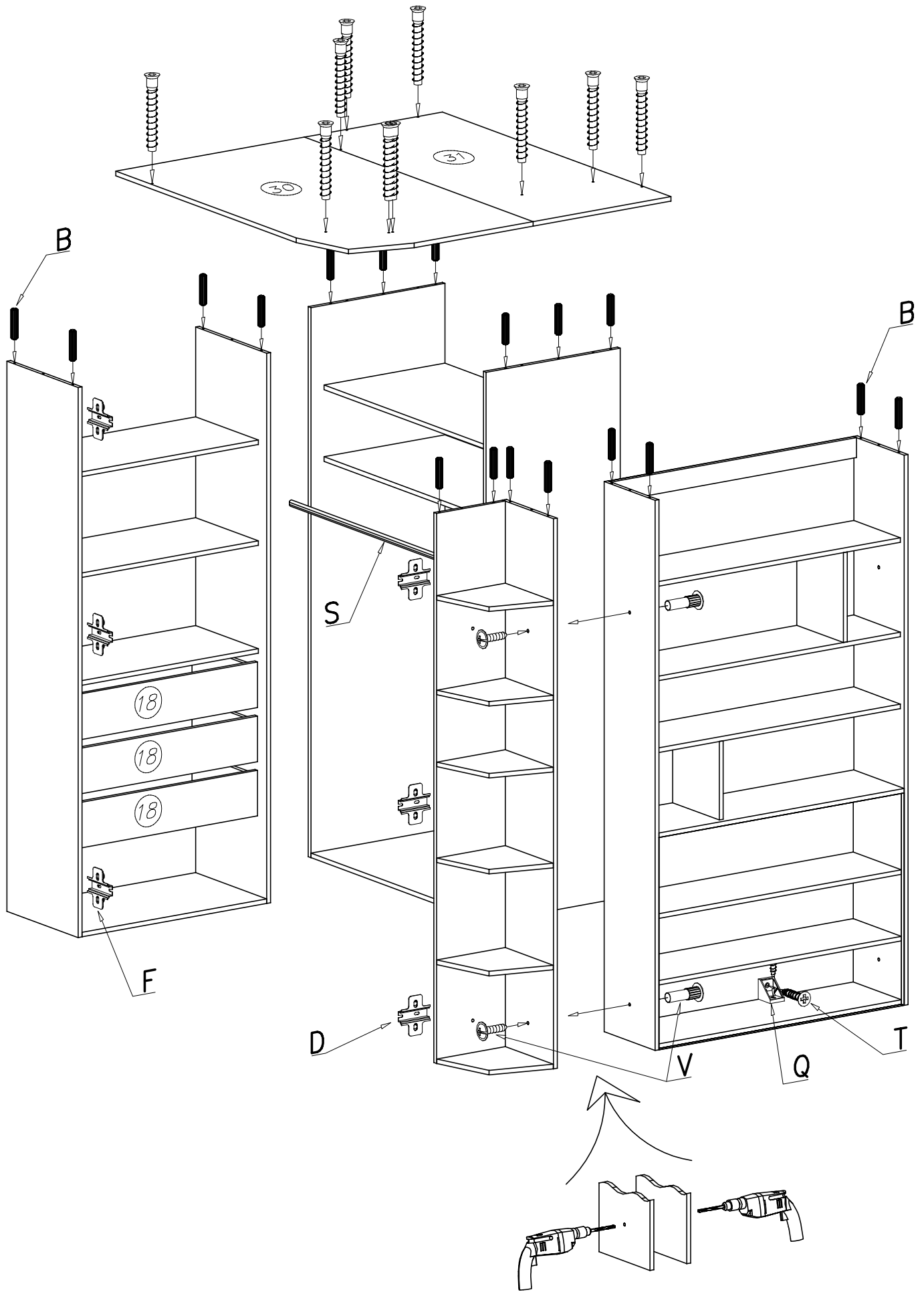
VIII



IX



(X)



XI

