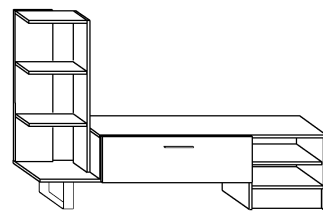


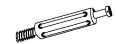





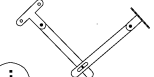
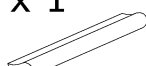


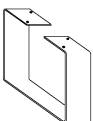
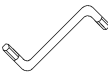
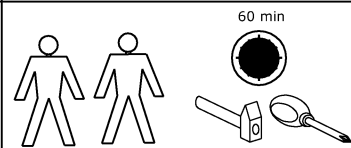


# YORK



→ 152 | 97 | 39

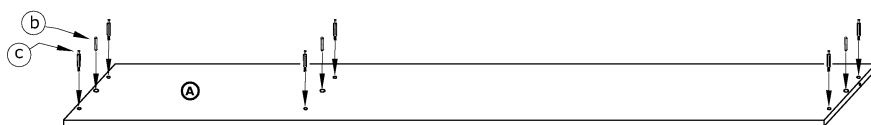


x 12  a	x 14  b	x 13  c	x 13  d	x 2  e	x 2  f
x 4  g	x 4  h	x 1  i	x 1  j	x 12 (3,5x16)  k	x 20  l
x 1  n					x 1  m







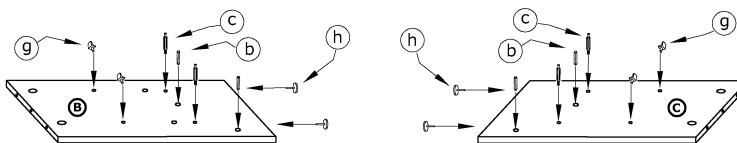
**1**

x 3  b	x 6  c
---	---




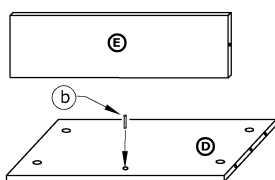
**2**

x 4  b	x 4  c
x 4  g	x 4  h




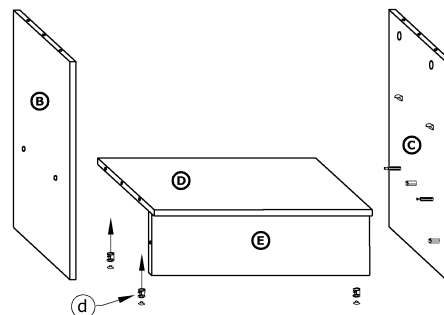
**3**

x 1  b
---





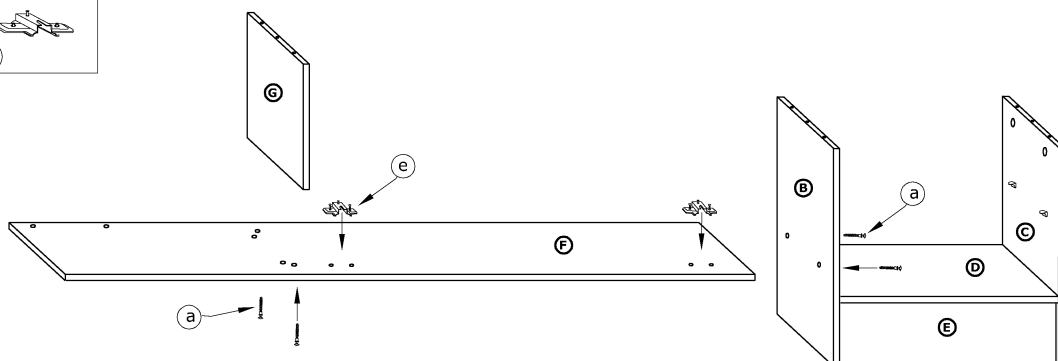
**4**


x 4  d
---

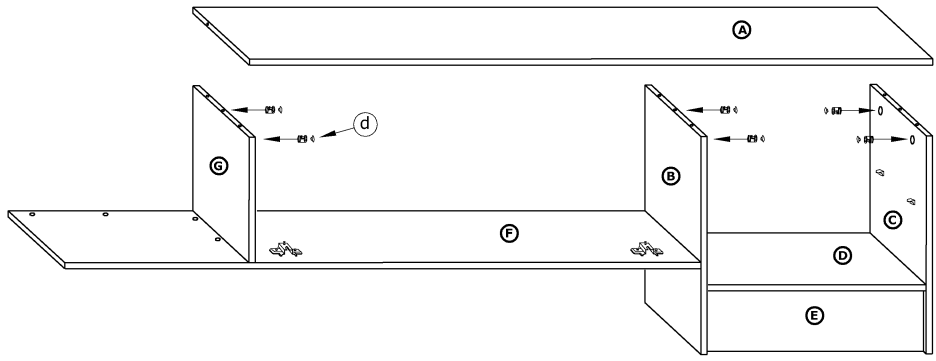





**5**

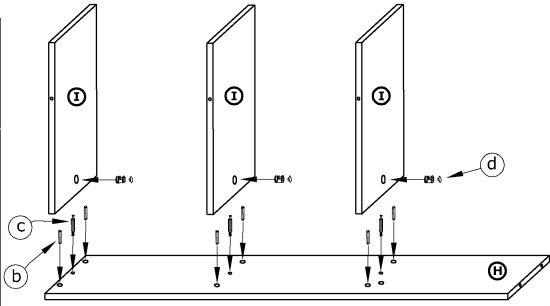
x 4  a	x 2  e
---	---




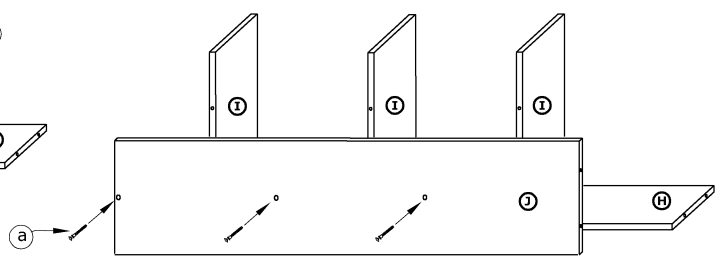
- 6** x 6  
  
 (d)




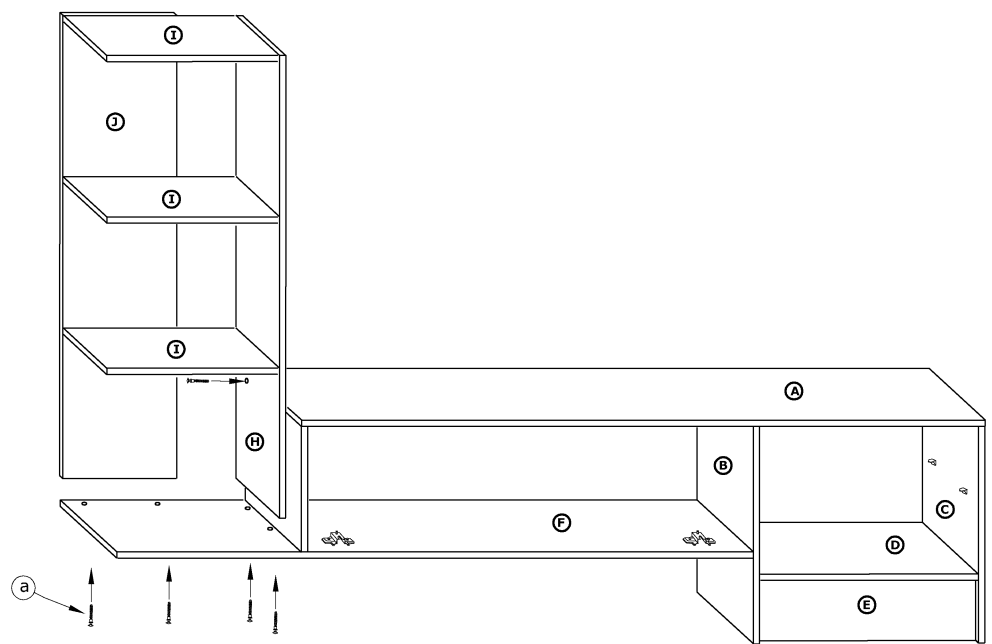
- 7** x 6  
  
 (b)  
 x 3  
  
 (c)  
 x 3  
  
 (d)

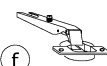
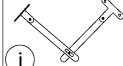
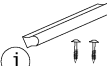
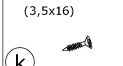




- 8** x 3  
  
 (a)



- 9** x 5  
  
 (a)



- |  |  |
|--|--|
| x 2<br><br>(f)  | x 1<br><br>(i)              |
| x 1<br><br>(j)  | x 12<br>(3,5x16)<br><br>(k) |
| x 20<br><br>(l) | x 1<br><br>(n)              |

